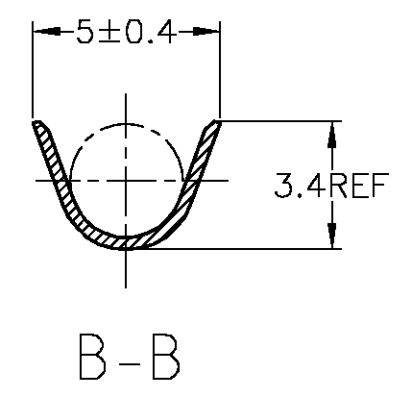
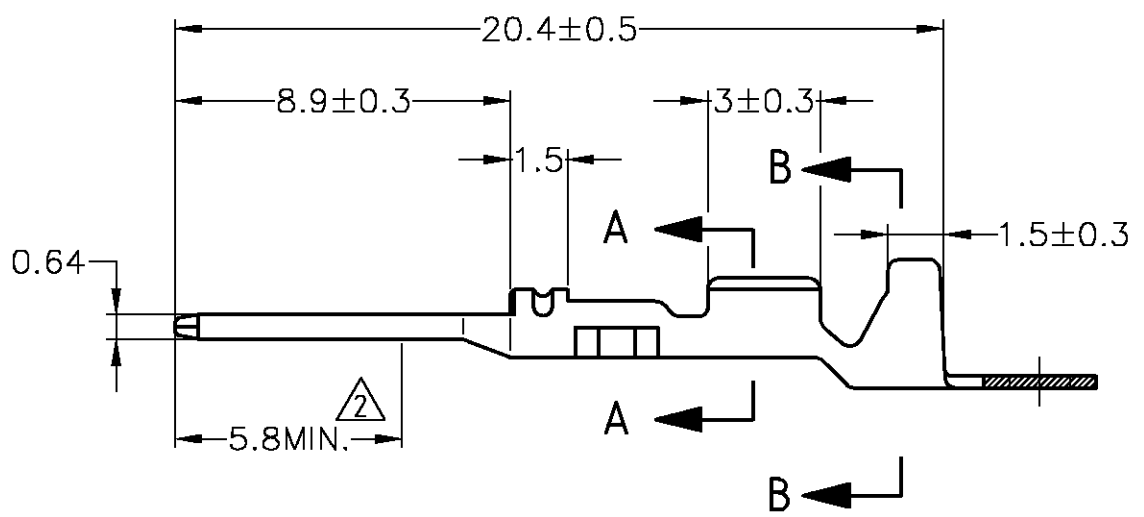
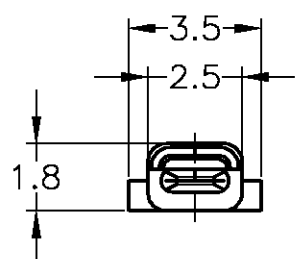
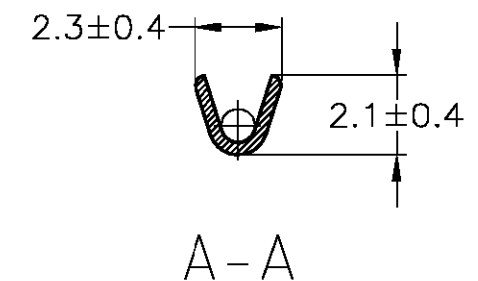
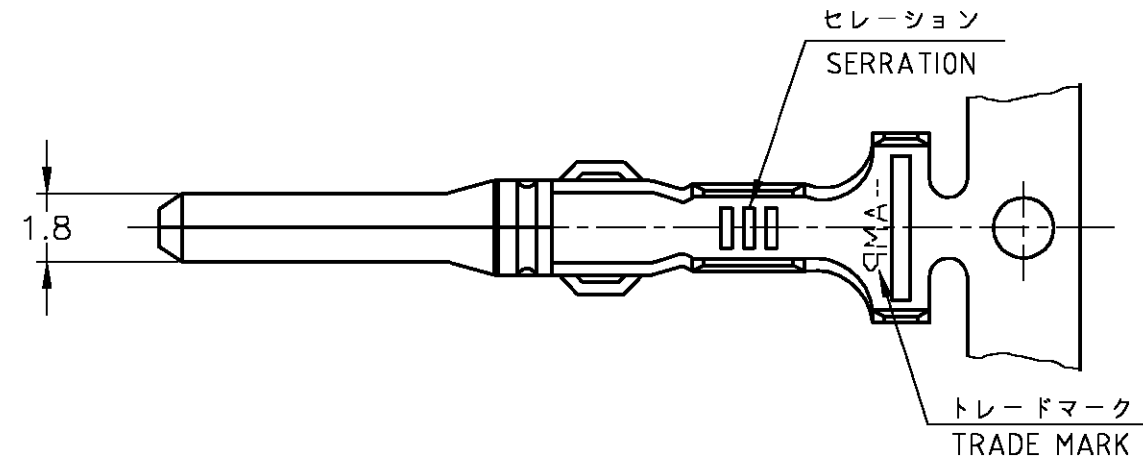


THIS DRAWING IS UNPUBLISHED. RELEASED FOR PUBLICATION  
 © COPYRIGHT BY TYCO ELECTRONICS CORPORATION. ALL RIGHTS RESERVED.

LOC	DIST	REVISIONS					
P	LTR	DESCRIPTION	DATE	DWN	APVD		
J	—	C	REDRAWN W/CHANGE	FJ00-1458-01	27JUN01	TS	KB



- 1. 嵌合相手端子型番 : 171630  
 △部分金めっき
- 1. RECEPTACLE CONTACT : 171630  
 △SELECTIVE GOLD PLATING

△ SELECTIVE GOLD PLATING 部分金めっき	BRASS t0.32 黄銅 板厚0.32	171631-2	2
PRE-TIN (0.76μm MIN.) 錫めっき済	BRASS t0.32 黄銅 板厚0.32	171631-1	1
FINISH 仕上	MATERIAL 材料	PN 型番	ITEM No. 項番

WIRE RANGE 抱合電線断面積 AV.AVS 0.2-0.5mm <sup>2</sup> (AWG #24-#20)	INSULATION DIA 被覆外径 1.4-2.4
--	-----------------------------------

THIS DRAWING IS A CONTROLLED DOCUMENT.

DIMENSIONS: 単位: 桁 MM	TOLERANCES UNLESS OTHERWISE SPECIFIED: 一般公差
	0 PLC ± - 1 PLC ± - 2 PLC ± - 3 PLC ± - 4 PLC ± - ANGLES ± -

一般公差 (GENERAL TOLERANCE)
10mm以下 : ±0.2
10mm以上 30mm以下 : ±0.25
30mm以上 100mm以下 : ±0.3
角度 : ±3°

MATERIAL 材料	SEE TABLE 表参照
FINISH 仕上	SEE TABLE 表参照

DWN T.SHINOHARA 27JUN01	Tyco Electronics AMP K.K. <b>AMP</b> Kawasaki, Japan		
CHK K.BETSUI 27JUN01	NAME 名称 ECONOSEAL J-MARKII+ CONNECTOR TAB CONTACT		
APVD K.BETSUI 27JUN01	PRODUCT SPEC 製品規格	SIZE 114-5082	RESTRICTED TO
APPLICATION SPEC 取付適用規格	WEIGHT 0.35 g	CAGE CODE A3 00779	DRAWING NO 番号 C-171631
CUSTOMER DRAWING		SCALE 尺度 5:1	SHEET 1 OF 1 REV C