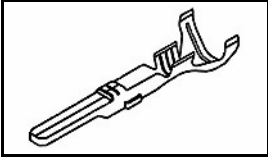


171661-1 Product Details

[Share](#) [Print](#) [Email](#)



171661-1

TE Internal Number: 171661-1

Active

[View 3D PDF](#)

Econoseal J Series [Mark II (+)]

Always EU RoHS/ELV Compliant
(Statement of Compliance)

Product Highlights:

- Econoseal J Product Line
- 070 Series
- Contact
- Wire-to-Wire
- Applies To Wire/Cable

[View all Features](#)

Quick Links

- ▶ [Pricing & Availability](#)
- ▶ [Search for Tooling](#)
- ▶ [View Housings \(11\)](#)
- ▶ [Product Feature Selector](#)
- ▶ [Contact Us About This Product](#)

[Add to My Part List](#)

[Request Sample](#)

[Find Similar Products](#)

[Buy Product](#)

Documentation & Additional Information

Product Drawings:

- [- ECONOSEAL J-MARKII CONNECTOR TAB CONTACT \(PDF, English\)](#)

Catalog Pages/Data Sheets:

- None Available

Product Specifications:

- [Sealed Sensor Connector System \(PDF, English\)](#)
- [AMP-ECONOSEAL-J Mark II+ Connector \(PDF, English\)](#)
- [\(DESIGN OBJECTIVES\) AIR BAG CONNECTOR \(PDF, English\)](#)
- [AMP-ECONOSEAL "J"-II Connector \(PDF, Japanese\)](#)
- [AMP-ECONOSEAL-J Mark II+ Connector \(PDF, Japanese\)](#)
- [\(DESIGN OBJECTIVES\) AIR BAG CONNECTOR \(PDF, Japanese\)](#)

Application Specifications:

- [CONTACTS SERIE .070 DU CONNECTEUR AMP- ECONOSEAL "J"... \(PDF, English\)](#)
- [Crimping of AMP-ECONOSEAL "J"-II, .070 and .250 Se... \(PDF, English\)](#)
- [Econoseal J Series Connectors .070 Seri... \(PDF, Japanese\)](#)

Instruction Sheets:

- None Available

CAD Files: (CAD Format & Compression Information)

- [2D Drawing \(DXF, Version E1\)](#)
- [3D Model \(IGES, Version E1\)](#)
- [3D Model \(STEP, Version E1\)](#)

[List all Documents](#)

Additional Information:

- [Product Line Information](#)

Related Products:

- [Tooling](#)
- [Housings \(11\)](#)

Product Features (Please use the Product Drawing for all design activity)

Product Type Features:

- Product Line = Econoseal J
- Series = 070
- Product Type = Contact
- Wire/Cable Type = Discrete Wire
- Cable Type = Thin Wall
- Termination Method to Wire/Cable = Crimp

Termination Features:

Configuration Features:

- GET 0.64 Connector System = No

Industry Standards:

- [RoHS/ELV Compliance](#) = RoHS compliant, ELV compliant
- [Lead Free Solder Processes](#) = Not relevant for lead free process
- [RoHS/ELV Compliance History](#) = Always was RoHS compliant

- Wire/Cable Size (AWG) = 16 – 20
- Wire/Cable Size (mm²) = 0.5 – 1.25

Body Features:

- Wire Type = Stranded

Contact Features:

- Contact Type = Tab
- Contact Base Material = Brass
- Contact Plating, Mating Area, Material = Pre-Tin
- Contact Plating, Mating Area, Thickness (µm [µin]) = 0.76 [29.92]

Conditions for Usage:

- Applies To = Wire/Cable
- Accepts Wire Insulation Diameter, Range (mm [in]) = 2.00 – 2.60 [0.078 – 0.102]

Operation/Application:

- Application Use = Wire-to-Wire
- Contact Transmits (Typical Application) = Power

Packaging Features:

- Packaging Method = Reel
- Packaging Quantity = 6,000

Other:

- Brand = AMP

Corporate Information

- [About TE](#)
- [Investors](#)
- [News Room](#)
- [Supplier Portal](#)
- [Careers](#)
- [Terms & Conditions](#)
- [Privacy Policy](#)

Quick Links

- [Distributor Inventory](#)
- [Product Cross Reference](#)
- [Documents & Drawings](#)
- [Product Compliance Support Center](#)
- [Site Map](#)

Customer Support

- [Email or Chat With Us](#)
- [Find a Phone Number](#)
- [Knowledge Base](#)
- [Manage Your Account](#)

Keep Me Informed



THIS DRAWING IS UNPUBLISHED.

RELEASED FOR PUBLICATION

ALL RIGHTS RESERVED.

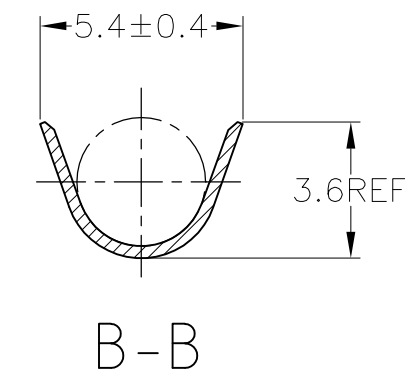
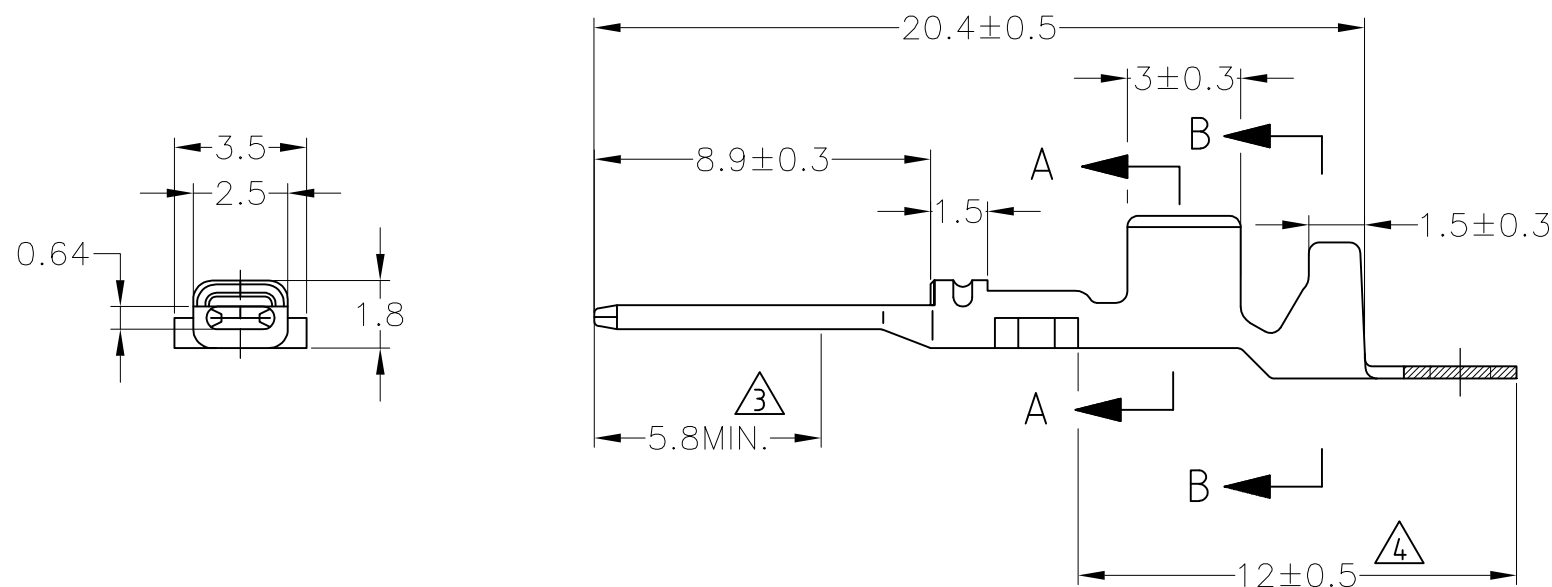
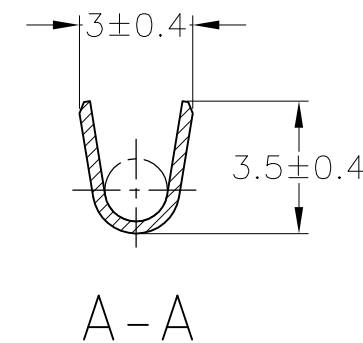
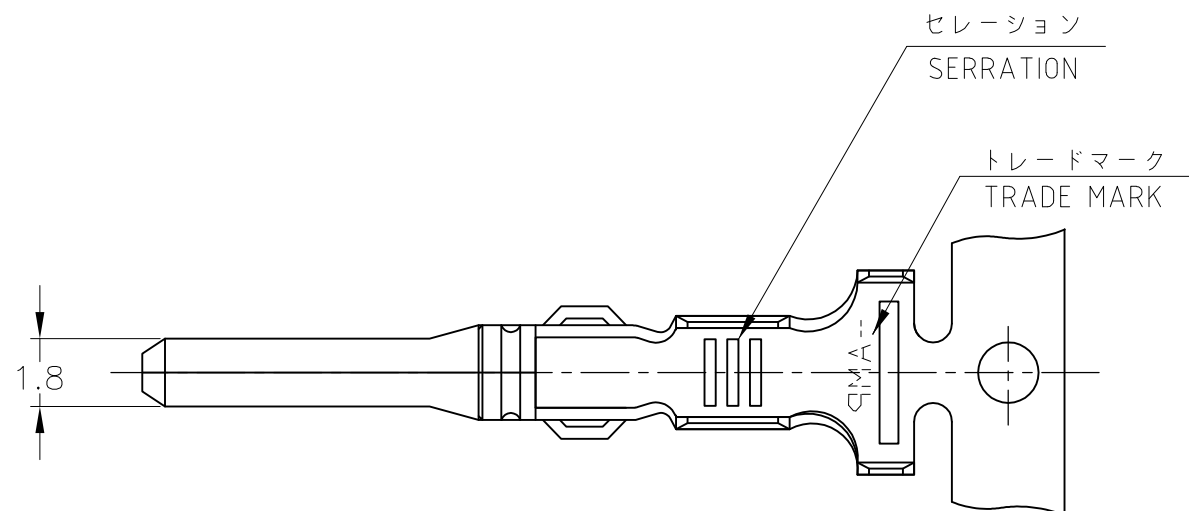
© COPYRIGHT - By -

LOC J

DIST -

REVISIONS

P	LTR	DESCRIPTION	DATE	DWN	APVD
	E2	REVISED PER ECO-11-005140	28MAR11	RK	HMR



- 1. 嵌合相手端子型番 : 171662
- 2. バラ状端子型番 : 173706

- 1. RECEPTACLE CONTACT PN: 171662
- 2. L/P CONTACT PN 173706

△3 SELECTIVE GOLD 部分金めっき	△4 SELECTIVE TIN 部分錫めっき	BRASS 黄銅 板厚 0.32	171661-5	3
△3 SELECTIVE GOLD 部分金めっき		BRASS 黄銅 板厚 0.32	171661-2	2
	PRE-TIN (0.76μm MIN.) 錫めっき済	BRASS 黄銅 板厚 0.32	171661-1	1
FINISH 仕上		MATERIAL 材料	PN 型番	ITEM No. 項番

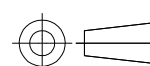
WIRE RANGE
抱合電線断面積
0.5-1.25mm² (AWG #20-#16)

INSULATION DIA
被覆外径
2-2.6

THIS DRAWING IS A CONTROLLED DOCUMENT.

DIMENSIONS:
単位: 耗
mm

TOLERANCES UNLESS
OTHERWISE SPECIFIED:
一般公差



0 PLC	±-
1 PLC	±-
2 PLC	±-
3 PLC	±-
4 PLC	±-
ANGLES	±-

MATERIAL
材料

SEE TABLE
表参照

FINISH
仕上

SEE TABLE
表参照

一般公差 (GENERAL TOLERANCE)	
10以下	±0.2
10を超え 30以下	±0.25
30を超え 100以下	±0.3
角度	±3°

DWN	T.SHINOHARA	27JUN01
CHK	K.BETSUI	27JUN01
APVD	K.BETSUI	27JUN01
PRODUCT SPEC	製品規格	-
APPLICATION SPEC	取付適用規格	114-5082
WEIGHT	0.35 g	

 TE Connectivity			RESTRICTED TO	
			-	
NAME 名称	ECONOSEAL J-MARKII CONNECTOR TAB CONTACT			
SIZE	CAGE CODE	DRAWING NO 番号	-	
A3	00779	C-171661	-	

CUSTOMER DRAWING		SCALE 尺度	5:1	SHEET	1 OF 1	REV	E2
------------------	--	-------------	-----	-------	--------	-----	----