

Distributed by:

JAMECO[®]
ELECTRONICS

www.Jameco.com ♦ 1-800-831-4242

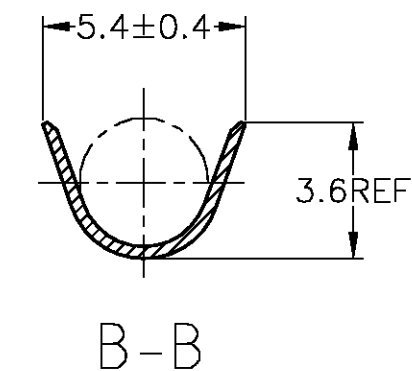
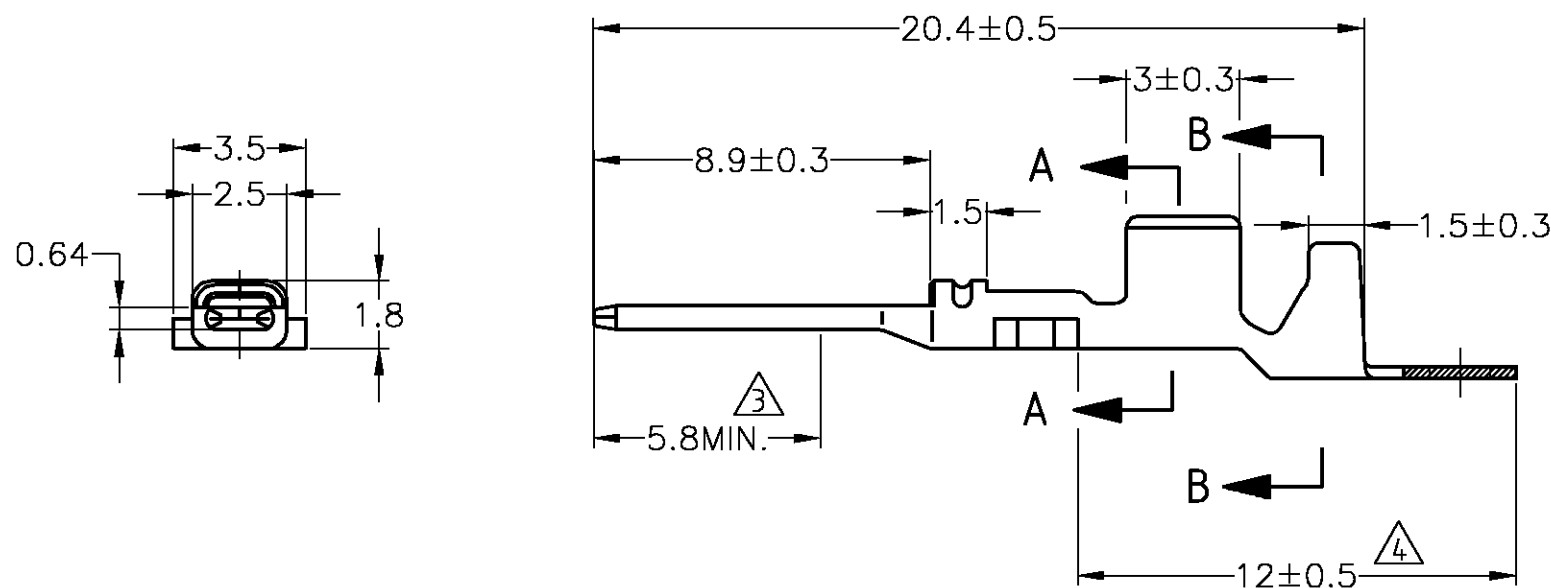
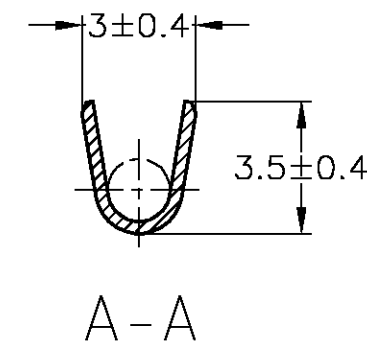
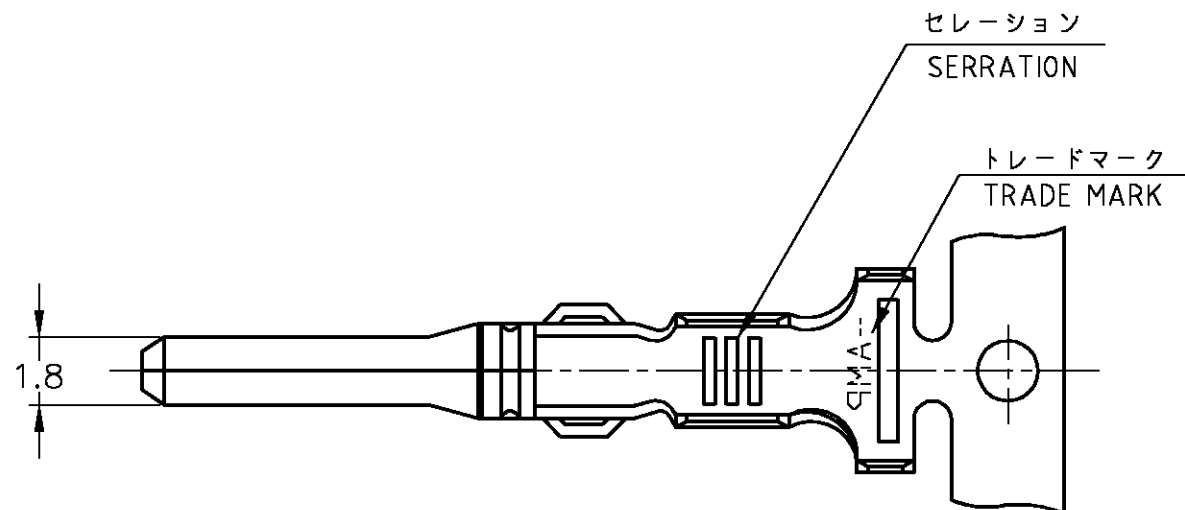
The content and copyrights of the attached
material are the property of its owner.

Jameco Part Number 904982

THIS DRAWING IS UNPUBLISHED. RELEASED FOR PUBLICATION

© COPYRIGHT BY TYCO ELECTRONICS CORPORATION. ALL RIGHTS RESERVED.

LOC	DIST	REVISIONS			
P	LTR	DESCRIPTION	DATE	DWN	APVD
J	—	E1 REVISED	FJAO-0513-03	04SEP03	TS KB



- 1. 嵌合相手端子型番 : 171662
- 2. バラ状端子型番 : 173706

- 1. RECEPTACLE CONTACT PN: 171662
- 2. L/P CONTACT PN 173706

FINISH 仕上	MATERIAL 材料	PN 型番	ITEM No. 項番
△ SELECTIVE GOLD 部分金めっき	BRASS 黄銅 板厚0.32	171661-5	3
△ SELECTIVE TIN 部分錫めっき	BRASS 黄銅 板厚0.32	171661-2	2
△ SELECTIVE GOLD 部分金めっき	BRASS 黄銅 板厚0.32	171661-1	1
PRE-TIN (0.76μm MIN.) 錫めっき済	BRASS 黄銅 板厚0.32		

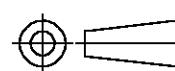
WIRE RANGE
抱合電線断面積
0.5-1.25mm² (AWG #20-#16)

INSULATION DIA
被覆外径
2-2.6

THIS DRAWING IS A CONTROLLED DOCUMENT.

DIMENSIONS:
単位: 概
MM

TOLERANCES UNLESS
OTHERWISE SPECIFIED:
一般公差



- 0 PLC ± -
- 1 PLC ± -
- 2 PLC ± -
- 3 PLC ± -
- 4 PLC ± -
- ANGLES ± -

MATERIAL
材料
SEE TABLE
表参照

FINISH
仕上
SEE TABLE
表参照

一般公差 (GENERAL TOLERANCE)	
10mm以下	±0.2
10mm以上 30mm以下	±0.25
30mm以上 100mm以下	±0.3
角度	±3°

DWN	T.SHINOHARA	27JUN01
CHK	K.BETSUI	27JUN01
APVD	K.BETSUI	27JUN01
PRODUCT SPEC 製品規格	114-5082	
APPLICATION SPEC 取付適用規格	114-5082	
WEIGHT	0.35 g	

		Tyco Electronics AMP K.K. Kawasaki, Japan	
NAME 名称 ECONOSEAL J-MARKII CONNECTOR TAB CONTACT			
SIZE	CAGE CODE	DRAWING NO 番号	RESTRICTED TO
A3	00779	C-171661	—

CUSTOMER DRAWING SCALE 5:1 SHEET 1 OF 1 REV E1