

171822-3 Product Details

[Share](#) [Print](#) [Email](#)




171822-3

TE Internal Number: 171822-3

 Active

[View 3D PDF](#)

Crimp Termination

 Always EU RoHS/ELV Compliant
(Statement of Compliance)

Product Highlights:

- Connector
- Housing
- Connector Style = Receptacle
- 2.50 mm Centerline
- 3 Positions

[View all Features](#)

Quick Links

- ▶ [Pricing & Availability](#)
- ▶ [Search for Tooling](#)
- ▶ [View Mating Products \(5\)](#)
- ▶ [View Contacts \(13\)](#)
- ▶ [Product Feature Selector](#)
- ▶ [Contact Us About This Product](#)

[Add to My Part List](#)

[Request Sample](#)

[Find Similar Products](#)

[Buy Product](#)

Documentation & Additional Information

Product Drawings:

- [HOUSING AMP EI SERIES CONNECTOR](#) (PDF, English)

Catalog Pages/Data Sheets:

- None Available

Product Specifications:

- [AMP EI Series, Connector](#) (PDF, Japanese)

Application Specifications:

- None Available

Instruction Sheets:

- None Available

CAD Files: (CAD Format & Compression Information)

- [2D Drawing](#) (DXF, Version L)
- [3D Model](#) (IGES, Version L)
- [3D Model](#) (STEP, Version L)

[List all Documents](#)

Related Products:

- [Tooling](#)
- [Mating Products \(5\)](#)
- [Contacts \(13\)](#)

Product Features (Please use the Product Drawing for all design activity)

Product Type Features:

- [Product Type](#) = Connector
- [Connector Type](#) = Housing
- [Profile](#) = Standard
- [PCB Mount Retention](#) = Without

Mechanical Attachment:

- [Panel Mount Retention](#) = Without

Body Features:

- [Polarized](#) = Yes
- [Circuit](#) = Standard

Contact Features:

- [Contact Type](#) = Socket

Housing Features:

- [Connector Style](#) = Receptacle
- [Centerline \(mm \[in\]\)](#) = 2.50 [0.098]

Configuration Features:

- [Number of Positions](#) = 3

Industry Standards:

- [RoHS/ELV Compliance](#) = RoHS compliant, ELV compliant
- [Lead Free Solder Processes](#) = Not relevant for lead free process
- [RoHS/ELV Compliance History](#) = Always was RoHS compliant
- [UL Flammability Rating](#) = UL 94V-0
- [Agency/Standard](#) = UL
- [CSA Certified](#) = Yes

Conditions for Usage:

- [Applies To](#) = Wire/Cable

Other:

- [Brand](#) = AMP

- [Housing Color](#) = Natural
- [Housing Material](#) = Nylon - GF

Corporate Information

[About TE](#)
[Investors](#)
[News Room](#)
[Supplier Portal](#)
[Careers](#)
[Terms & Conditions](#)
[Privacy Policy](#)
[AODA Accessibility Policy](#)
[AODA Multi-Year Accessibility Plan](#)

Quick Links

[Distributor Inventory](#)
[Product Cross Reference](#)
[Documents & Drawings](#)
[Product Compliance Support Center](#)
[Site Map](#)

Customer Support

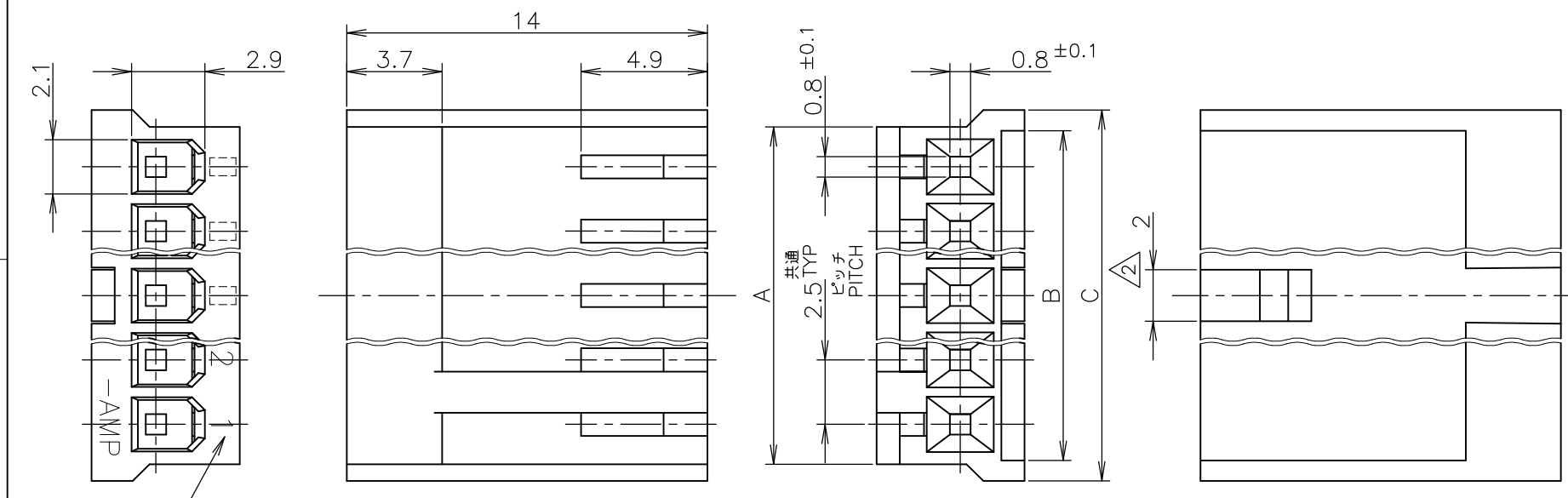
[Email or Chat With Us](#)
[Find a Phone Number](#)
[Knowledge Base](#)
[Manage Your Account](#)

Keep Me Informed

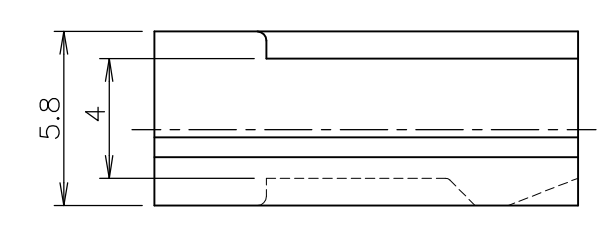


THIS DRAWING IS UNPUBLISHED. RELEASED FOR PUBLICATION
 © COPYRIGHT - By - ALL RIGHTS RESERVED.

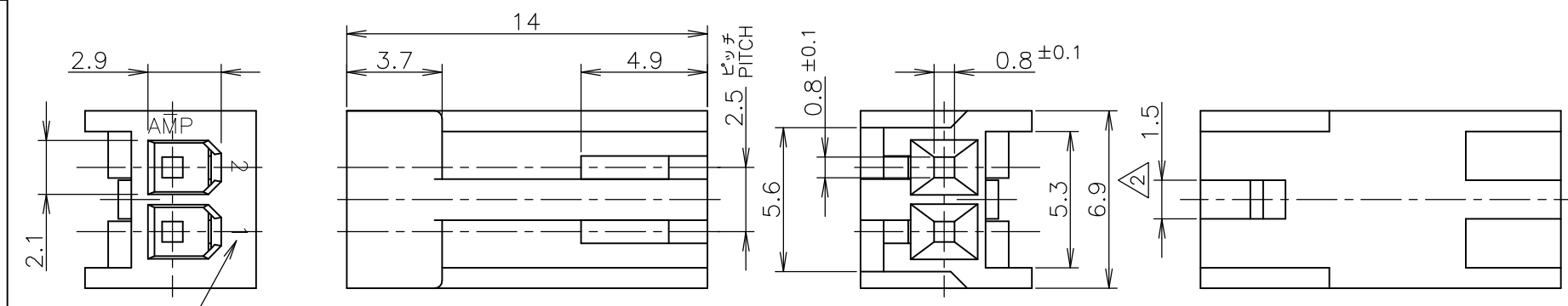
LOC	DIST	REVISIONS 変更					
J	/	P	LTR	DESCRIPTION	DATE	DWN	APVD
		L1		REVISED PER ECO-11-005030	11MAR11	RK	HMR



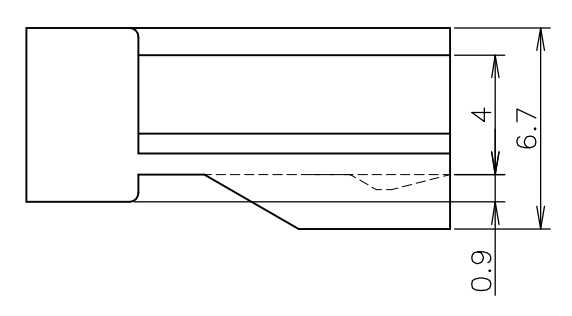
回路番号
CIRCUIT NO.



3~12極
POS



回路番号
CIRCUIT NO.



2極
POS

- 1 使用するコンタクトは 170262 又は 170263.
- ② ロッキング凸部位置は長手方向の中央。
- 1 CONTACTS, 170262 & 170263 ARE USED.
- ② LOCKING PROTRUSION IS PLACED ON THE CENTER OF HOUSING.

31.9	30.3	30.6	12		9-171822-2	7-171822-2	
26.9	25.3	25.6	10		9-▲-0	7-▲-0	
24.4	22.8	23.1	9		8-▲-9	6-▲-9	
21.9	20.3	20.6	8		8-▲-8	6-▲-8	
19.4	17.8	18.1	7		8-▲-7	6-▲-7	
16.9	15.3	15.6	6		8-▲-6	6-▲-6	
14.4	12.8	13.1	5		8-▲-5	6-▲-5	
11.9	10.3	10.6	4		8-▲-4	6-▲-4	
9.4	7.8	8.1	3		8-▲-3	6-▲-3	
-図示- SHOWN			2		8-171822-2	6-171822-2	
C	B	A	極数 (POS)		赤色 (RED)	緑色 (GREEN)	
31.9	30.3	30.6	12	5-171822-2	3-171822-2	1-171822-2	
26.9	25.3	25.6	10	5-▲-0	3-▲-0	1-▲-0	
24.4	22.8	23.1	9	4-▲-9	2-▲-9		
21.9	20.3	20.6	8	4-▲-8	2-▲-8		
19.4	17.8	18.1	7	4-▲-7	2-▲-7		
16.9	15.3	15.6	6	4-▲-6	2-▲-6		
14.4	12.8	13.1	5	4-▲-5	2-▲-5		
11.9	10.3	10.6	4	4-▲-4	2-▲-4		
9.4	7.8	8.1	3	4-▲-3	2-▲-3		
-図示- SHOWN			2	4-171822-2	2-171822-2	171822-2	
C	B	A	極数 (POS)		青色 (BLUE)	黒色 (BLACK)	自然色 (NATURAL)
型番 (PART NUMBER)							

回路番号
CIRCUIT NO.

GENERAL TOLERANCE
一般公差

10 ≥ : ±0.2
30 ≥ > 10: ±0.25
100 ≥ > 30: ±0.3
ANGLES: ±3°

THIS DRAWING IS A CONTROLLED DOCUMENT.

DIMENSIONS: 単位: 耗 mm

TOLERANCES UNLESS OTHERWISE SPECIFIED: 一般公差

0 PLC ±-
1 PLC ±-
2 PLC ±-
3 PLC ±-
4 PLC ±-
ANGLES ±-

MATERIAL 材料
66 NYLON (UL94-0)

FINISH 仕上

DWN H.HOSHINO 12JUN97
CHK J.TANIGAWA 12JUN97
APVD S.KUBOUCHI 03OCT97

NAME 名称
HOUSING
AMP EI SERIES CONNECTOR

PRODUCT SPEC 製品規格
108-5118

APPLICATION SPEC 取付適用規格

WEIGHT

SIZE A3 CAGE CODE 00779 DRAWING NO. 171822 RESTRICTED TO 番号

CUSTOMER DRAWING SCALE 尺度 4:1 SHEET 1 OF 1 REV L1