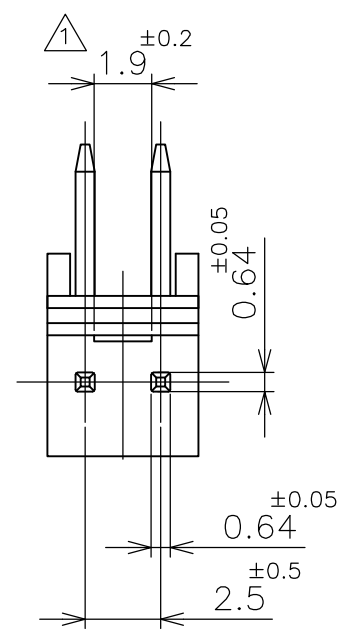
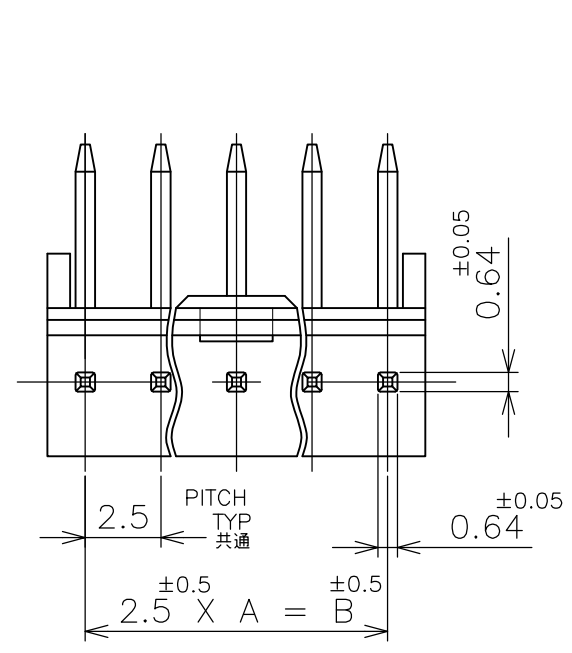


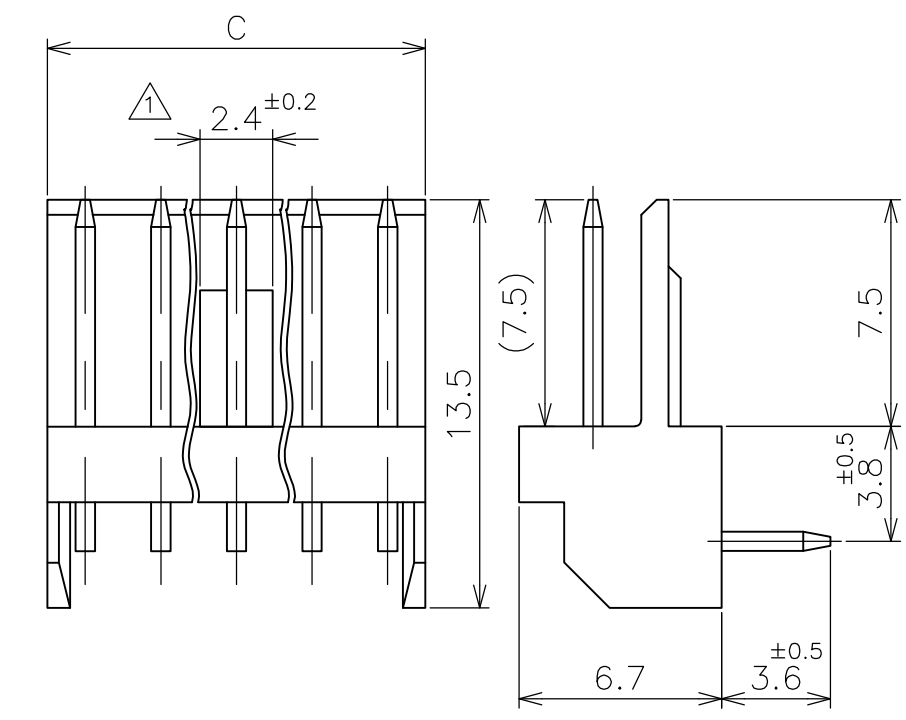
THIS DRAWING IS UNPUBLISHED. RELEASED FOR PUBLICATION MAY, 1977.
 © COPYRIGHT 1977 By - ALL RIGHTS RESERVED.

LOC		DIST		REVISIONS 変更			DATE	DWN	APVD
P	LTR	DESCRIPTION							
	R2	REVISED (ECR-14-002883)			05MAR'14	EL	VP		

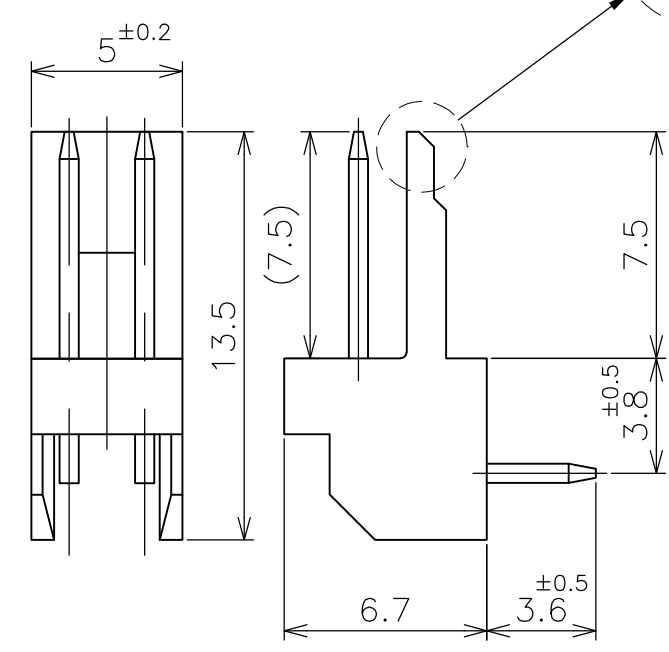


- ① LOCKING HOLE IS PLACED ON THE CENTER OF POST HEADER.
- ② MANUFACTURED BY AMP-BRASIL ONLY
- ① ロッキング凹部位置は長手方向の中央。
- ② AMP-ブラジル製造品 (AMP-J非製造品)

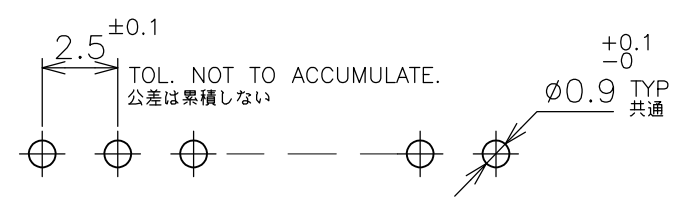
② APPLY TO AMP-BRAZIL ONLY.



3~12 POS 極



2 POS 極



RECOMMENDED BOARD LAYOUT (1.6 THK)
取付基板寸法 (基板厚 1.6t)

30.0	27.5	11	12	9-171826-2	7-171826-2	5-171826-2	3-171826-2	1-171826-2
25.0	22.5	9	10	9-▲-0	7-▲-0	5-▲-0	3-▲-0	1-▲-0
22.5	20.0	8	9	8- -9	6- -9	4- -9	2- -9	-9
20.0	17.5	7	8	8- -8	6- -8	4- -8	2- -8	-8
17.5	15.0	6	7	8- -7	6- -7	4- -7	2- -7	-7
15.0	12.5	5	6	8- -6	6- -6	4- -6	2- -6	-6
12.5	10.0	4	5	8- -5	6- -5	4- -5	2- -5	-5
10.0	7.5	3	4	8- -4	6- -4	4- -4	2- -4	-4
7.5	5.0	2	3	8- -3	6- -3	4- -3	2- -3	-3
図示		— / —	2	8-171826-2	6-171826-2	4-171826-2	2-171826-2	171826-2
±0.2 C	±0.5 B	A	NO OF POS 極数	RED 赤色	GREEN 緑色	BLUE 青色	BLACK 黒色	NATURAL 自然色
				PART NUMBER 型番				

THIS DRAWING IS A CONTROLLED DOCUMENT.

DWN T.DOI 14MAY77
 CHK H.TAGUCHI 14MAY77
 APVD H.TAGUCHI 14MAY77

NAME 名称
 PRODUCT SPEC 製品規格
 APPLICATION SPEC 取付適用規格

STE TE Connectivity

POST HEADER ASSY (HORIZONTAL)
 AMP EI SERIES CONNECTOR

SIZE A3 CAGE CODE 00779 DRAWING NO G-171826 RESTRICTED TO 番号

MATERIAL 材料 HSG : 66NYLON -UL94V-0 POST: BRASS
 FINISH 仕上 TIN-PLATE 0.8um MIN. ALL OVER NICKEL 0.5um MIN. UNDERPLATED

WEIGHT

CUSTOMER DRAWING

SCALE 尺度 4:1 SHEET 1 OF 1 REV R2