

Distributed by:

JAMECO[®]
ELECTRONICS

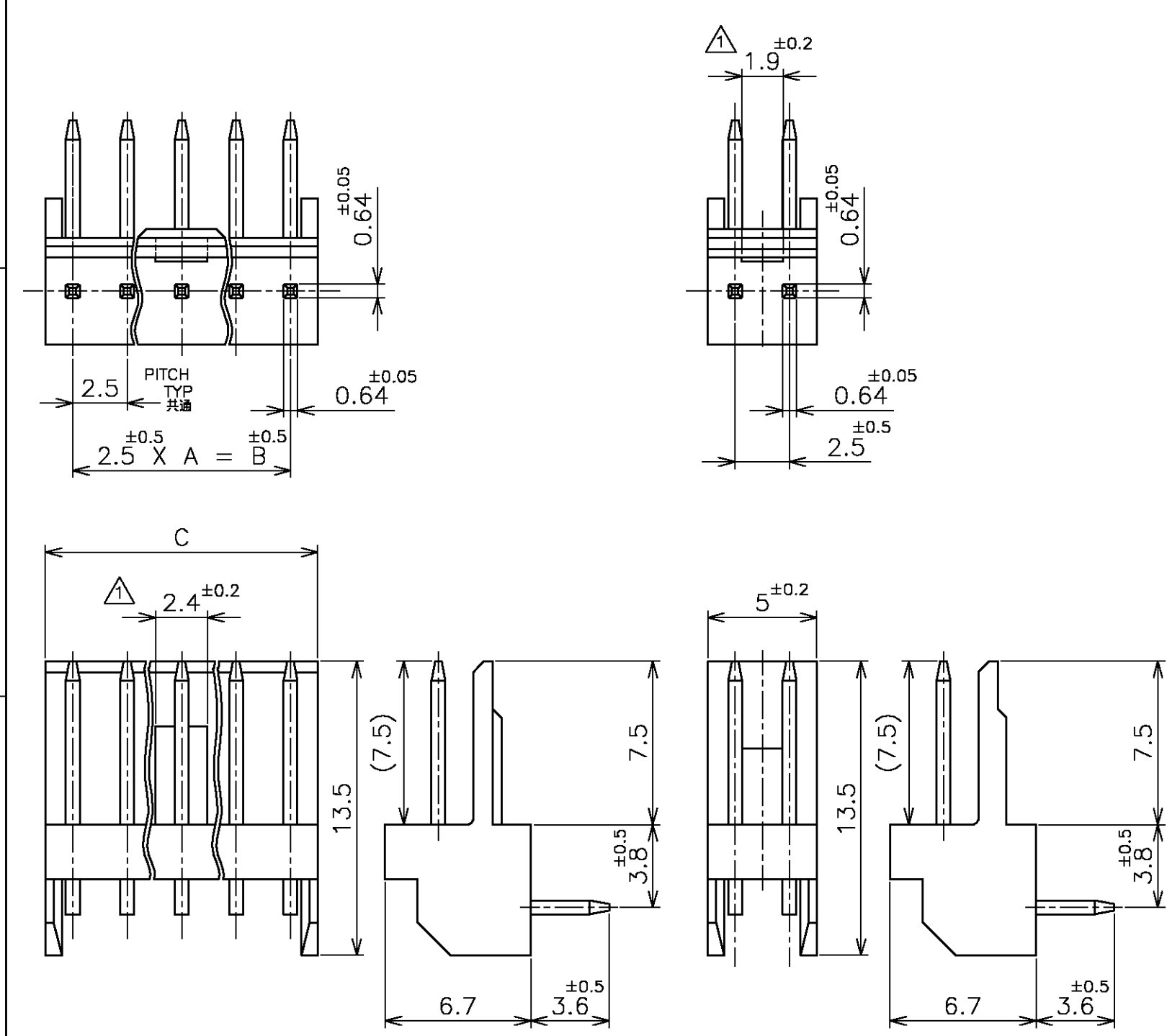
www.Jameco.com ♦ 1-800-831-4242

The content and copyrights of the attached
material are the property of its owner.

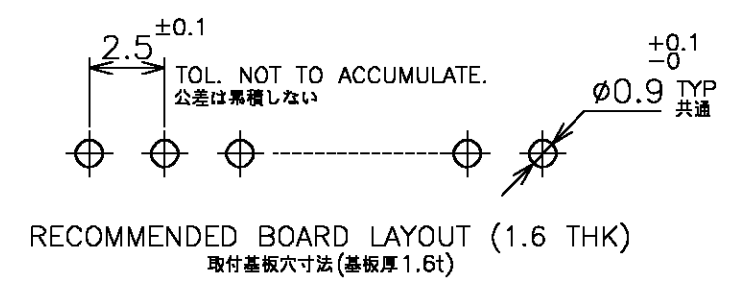
Jameco Part Number 742320

THIS DRAWING IS UNPUBLISHED. RELEASED FOR PUBLICATION MAY, 1977.
 © COPYRIGHT 1977 BY TYCO ELECTRONICS CORPORATION. ALL RIGHTS RESERVED.

LOC	DIST	REVISIONS					
		P	LTR	DESCRIPTION	DATE	DWN	APVD
J	-	R		REVISED FJBO-0973-03	31MAR03	H.T	I.E



△ LOCKING HOLE IS PLACED ON THE CENTER OF POST HEADER.
 △ ロッキング凹部位置は長手方向の中央。



3~12 POS 極

2 POS 極

30.0	27.5	11	12	9-171826-2	7-171826-2	5-171826-2	3-171826-2	1-171826-2
25.0	22.5	9	10	9- -0	7- -0	5- -0	3- -0	1- -0
22.5	20.0	8	9	8- -9	6- -9	4- -9	2- -9	-9
20.0	17.5	7	8	8- -8	6- -8	4- -8	2- -8	-8
17.5	15.0	6	7	8- -7	6- -7	4- -7	2- -7	-7
15.0	12.5	5	6	8- -6	6- -6	4- -6	2- -6	-6
12.5	10.0	4	5	8- -5	6- -5	4- -5	2- -5	-5
10.0	7.5	3	4	8- -4	6- -4	4- -4	2- -4	-4
7.5	5.0	2	3	8- -3	6- -3	4- -3	2- -3	-3
図示		2	2	8-171826-2	6-171826-2	4-171826-2	2-171826-2	171826-2
± 0.2 C	± 0.5 B	A	NO OF POS 極数	RED 赤色	GREEN 緑色	BLUE 青色	BLACK 黒色	NATURAL 自然色
PART NUMBER 型番								

THIS DRAWING IS A CONTROLLED DOCUMENT.

DWN T.DOI 14MAY77
 CHK H.TAGUCHI 14MAY77
 APVD H.TAGUCHI 14MAY77

tyco Electronics Tyco Electronics AMP K.K. Kawasaki, Japan

NAME 名称
 PRODUCT SPEC 製品規格
 APPLICATION SPEC 取付適用規格

POST HEADER ASSY (HORIZONTAL)
 AMP EI SERIES CONNECTOR

SIZE A3 CAGE CODE 00779 DRAWING NO C-171826 RESTRICTED TO -

WEIGHT
 MATERIAL HSG : 66NYLON UL94V-0 POST: BRASS
 FINISH 仕上 POST: TIN-PLATE

CUSTOMER DRAWING SCALE 4:1 SHEET 1 OF 1 REV R