

AMP-ECONOSEAL* Series "J" Connectorエコノシール・シリーズ "J" コネクタ

Contents

First 15 pages following this top sheet : English version
Next 14 pages : Japanese version

When only one of above versions is supplied to customers, this top sheet shall be attached.

目次

このシートに続く最初の 15 ページ : 英語版
次の 14 ページ : 日本語版

カスタマーに英語または日本語版の片方のみを提出する場合は、このトップシートが必ず添付されなければならない。

Revision Record (改訂記録)

Revision Letter	EC number	Date
(改訂記号)	(改訂記録番号)	(日付)
C1	FJ00-2022-01	10 SEP 2001

Outline of the latest revision (最新改訂の概要)

Combine two language versions into one document. No change was made on product specification.

2ヶ国語の文書を一括管理とした。仕様内容に変更なし。

108-5136

108-5136

AMP-ECONOSEAL* Series "J" Connector

Product Specification

This specification may change without notice, as a result of product design changes and evaluation testing.

1. Scope:


This specification covers product performance requirements and test methods of AMP ECONOSEAL* Series "J" Connector, manufactured by AMP Ltd.

2. Applicable Products:

Products of the following part numbers and descriptions shall be governed under this specification.

Part Number	Descriptions
170279-1	2∅ Pin Contact, Lanceless
170294-1	
170280-1	2∅ Pin Receptacle Contact, Lanceless Assembly
170295-1	
172189-1	Filler Tip
172190-1 / -5	"O" Ring
172197-1	Rubber Plug, for 1-Position Connector
172200-1	" " , for 2-Position Connector
172203-1 / -2	" " , for 3-Position Connector
172206-1	" " , for 4-Position Connector
172193-1 / -2	" " , for 8-Position Connector
172282-1	" " , for 12-Position Connector
172195-1 / -4	1-Position Plug Housing
172196-1 / -4	1-Position Cap Housing
172198-1 / -4	2-Position Plug Housing
172199-1 / -4	2-Position Cap Housing
172201-1 / -4	3-Position Plug Housing
172202-1 / -4	3-Position Cap Housing
172204-1 / -4	4-Position Plug Housing
172205-1 / -4	4-Position Cap Housing
172191-1 / -4	8-Position Plug Housing
172192-1 / -4	8-Position Cap Housing
172280-1/-2/-4	12-Position Plug Housing
172281-1/-2/-4	12-Position Cap Housing

AMP SECURITY CLASSIFICATION
 Customer Release

C1	Revised E100-2022-01	KS	KK	9/10/01	DR	5-23-80	 Tyco Electronics AMP K.K. Kawasaki, Japan	LOC	J	NO	A	108-5136	REV	C1	
C	Revised RFA-1975			5/3	CHK	5-23-80									
B1	Revised RFA-897			10/27/85	APP	5-23-80									
B	Translated			5-23-80											
LTR	REVISION RECORD	DR	CHK	DATE	SHEET		NAME		Product Specification		AMP-ECONOSEAL* Series "J" Connector				
					1 OF 15										

3. Definitions of Terms:

For the purpose of this product specification, the following terms shall apply.

3.1 Contact:

An electrically conductive metallic member, used independently or as a component of a connector assembly to form circuit connection by contacting. Pin contact and pin receptacle contacts are available.

3.2 Housing:

A dielectric component member of a connector made of insulating material that encapsulate contacts in its contact cavities. In this product line, cap housing that encapsulates pin contacts, and plug housing that encapsulates receptacle contacts are available.

3.3 Rubber Plug:

A rubber plug is a cylindrical rubber piece with preformed contact paths pierced through, to provide waterproof connection of contacts, as the plug is used to fill the free opening on the wire side of connector housing.

3.4 Filler Tip, Nylon:

A nylon filler tip is a thin cylindrical tip used to fill a contact path of rubber plug, when the plug is applied to connector housing with any of contact position(s) unfilled with contact(s).

3.5 "O" Ring:

An "O" ring is a specifically prepared rubber ring that contains oily element in rubber structure substance, which is used to provide water-tight surface matching of connectors as they are mated. This "O" ring is applied into the groove of cap housing.

3.6 Connector:

A connector is an assembly of housing contact(s) and other essential components to make a designated termination. A cap connector consists of a cap housing, pin contact(s), a rubber plug and an "O" ring, and a plug housing consists of receptacle contact(s) and a rubber plug.

4. Materials and Finish:

4.1 Contact:

Contact is made from pre-tinplated brass strip conforming to Copper Alloy No. 260 of ASTM B 36.

4.2 Housing:

Housing is made of molded 6/6 Nylon resin.

4.3 Rubber Plug:

Rubber plug is made of chloroprene rubber (CR).

SHEET		AMP Tyco Electronics AMP K.K. Kawasaki, Japan		
2 OF 15	Loc	A	NO	REV
	J		108-5136	C1
NAME Product Specification				
AMP-ECONOSEAL* Series "J" Connector				

4.4 Filler Tip:

A filler tip is made of 6/6 Nylon resin.

4.5 "O" Ring:

An "O" ring is made of nitrile butadiene rubber (NBR).

5. Product Feature, Construction and Dimensions:

5.1 Contact:

Product design feature, construction and dimensions shall be conforming to applicable product drawing(s). All the pin contacts and receptacle contacts must be mated regardless of wire sizes of contact.

5.2 Housing:

Product design feature, construction and dimensions shall be conforming to applicable product drawing(s). Housings are provided with polarization device to prevent housings from mismatching, and locking mechanism to secure mated housings.

5.3 Rubber Plug:

Product design feature, construction and dimensions shall be conforming to applicable product drawing(s).

5.4 Filler Tip:

Product design feature, construction and dimensions shall be conforming to applicable product drawing.

5.5 "O" Ring:

Product design feature, construction and dimensions shall be conforming to applicable product drawing.

6. Test Conditions:

6.1 Temperature Rating:

Temperature rating shall be within the range of -30 and +105°C. This range includes ambient temperature and temperature rising as a result of loaded current affection.

6.2 Applicable Wires:

Contact No.	Applicable Wire Conductor Size	Insulation Diameter
170279-1	0.5, 0.85, 1.25, 2.0mm ² one wire	2.0 - 3.4 mm
170280-1		
170294-1	0.5, 0.85mm ² , one wire	2.0 - 2.8 mm
170295-1		

SHEET		AMP Tyco Electronics AMP K.K. Kawasaki, Japan		
3 OF 15	LOC J A	NO 108-5136	REV C1	
NAME Product Specification				
AMP-ECONOSEAL* Series "J" Connector				

108-5136

CLASSIFICATION
Release

7. Performance Requirements and Test Methods:

7.1 Performance Requirements:

When tested in accordance with the test methods specified in Para. 7.2, and test sequence specified in Para. 7.3, product performance shall be conforming to the requirements specified in Table 1.

Test Items (Paragraph No.)	Contact Performance (Initial)	Connector		Performance				
		(Initial)		(Final) After Conditioning				
Appearance (Para. 7.2.1)	Products shall be free from cracks, breakage, damages, rattling and loose of parts, rust, fusion and other defects that are detrimental to connector functions.							
Contact/Connector Insertion Force (Para. 7.2.2)	2.94 - 11.8N (0.3 - 1.2kgf)	Pos.	1	2	3	4	8	12
		N(kgf)	49	58.8	63.7	68.6	88.3	127
		Max.	(5.0)	(6.0)	(6.5)	(7.0)	(9.0)	(13.0)
Contact/Connector Extraction Force (Para. 7.2.3)	1.96 - 11.8N (0.2 - 1.2kgf)	Pos.	1	2	3	4	8	12
		N(kgf)	29.4	39.2	53.9	58.8	78.5	98.1
		Max.	(3.0)	(4.0)	(5.5)	(6.0)	(8.0)	(10.0)
Termination Resistance (Low Level) (Para. 7.2.4)	—//—	3 mΩ max.			10 mΩ max.			
Termination Resistance (Para. 7.2.5)	—//—	3 mV/A max.			10 mV/A max.			
Insulation Resistance (Para. 7.2.6)	—//—	100 MΩ min.						
Current Leakage (Para. 7.2.7)	—//—	100 μA max.						
Handling Touch at Assembly (Para. 7.2.8)	No tactile abnormalities to cause operator's fatigue and pain shall be perceived.							
Crimp Tensile Strength (Para. 7.2.9)	Wire Size (mm ²)	Crimp Tensile N(kgf) Min.	—//—					
	0.5	265 (27)						
	0.85	88.3 (9)						
	1.25	127 (13)						
	2.0	177 (18)						
Water-tight Capability (Para. 7.2.10)	—//—	49KPa(0.5kgf/cm ²)Min.			29.4KPa(0.3kgf/cm ²)Min.			
Contact Retention Force (Para. 7.2.11)	—//—	58.8N(6kgf) Min.						
Housing Retention Force (Para. 7.2.12)	—//—	98.1N(10kgf)Min.						
Heat Resistibility (Para. 7.2.13)	—//—	After mechanical and environmental conditioning per sequence of Table 5, performance requirements shall be met.						
Cold Resistibility (Para. 7.2.14)	—//—							
Thermal Shock (Para. 7.2.15)	—//—							

SHEET		AMP Tyco Electronics AMP K.K. Kawasaki, Japan		
4 OF 15				
LOC	A	NO	108-5136	REV
NAME		Product Specification		
AMP-ECONOSEAL* Series "J" Connector				

7.1 Performance Requirements:

108-5136

NUMBER

CUSTOMER RELEASE

AMP SECURITY CLASSIFICATION

Test Item (Paragraph No.)	Contact Performance (Initial)	Connector Performance	
		(Initial)	(Final) After Conditioning
"Kojiri" Resistibility (Para. 7.2.16)	//	//	After mechanical and environmental conditioning per sequence in Table 5, performance requirements shall be met.
Water Sprinkle (Para. 7.2.20)			
Vibration, High Frequency (Para. 7.2.18)			
Vibration, Low Frequency (Para. 7.2.19)			
Salt Spray (Para. 7.2.17)			
Current Cycling (Para. 7.2.21)			
Liquid Detergent Resistibility (Para. 7.2.22)			
Oil Resistibility (Para. 7.2.23)			
Ozon Aging (Para. 7.2.24)			
Weather Aging (Para. 7.2.25)			

Table 1 (End)

7.2 Test Methods:

7.2.1 Appearance:

Visually and tactually inspect the product appearance for evidence of abnormalities such as cracks, breakage, rattling and loose of parts, rust, fusion and deformation that are detrimental to connector function.

7.2.2 Insertion Force of Contact or Connector:

Secure one of the mating pair of contacts or connectors on the head of tensile testing machine, and apply an axial push-in load to insert the counterpart contact or connector by operating the head to travel with the speed at a rate of 100 mm a minute. For this test, connectors are tested with the locking mechanism set in effect.

7.2.3 Extraction Force of Contact or Connector:

Secure one of the mated pair of contacts or connectors on the tensile testing machine, and apply an axial pull-off load to separate the conatcs or connectors by operating the head to travel with the speed at a rate of 100 mm a minute. For this test, connectors are tested without locking mechanism set in effect.

SHEET		AMP Tyco Electronics AMP K.K. Kawasaki, Japan		
5 OF 15	LOC J A	NO 108-5136	REV C	
NAME Product Specification				
AMP-ECONOSEAL* Series "J" Connector				

CLASSIFICATION
 Release

7.2.4 Termination Resistance(Low Level):

Mated pair of connectors and contacts are tested by applying test current of 50 mA at open circuit voltage of 50 mV DC maximum, flowing through the circuit as shown in Fig. 1. Millivolt drop of the terminated area shall be measured: at the probing points Y and Y' which are 75mm apart from wire crimps. Low level resistance is obtained by calculation, after deducting the resistance of 150mm long wire used for termination. Measurements shall be made on the contact positions one after one in the connector.

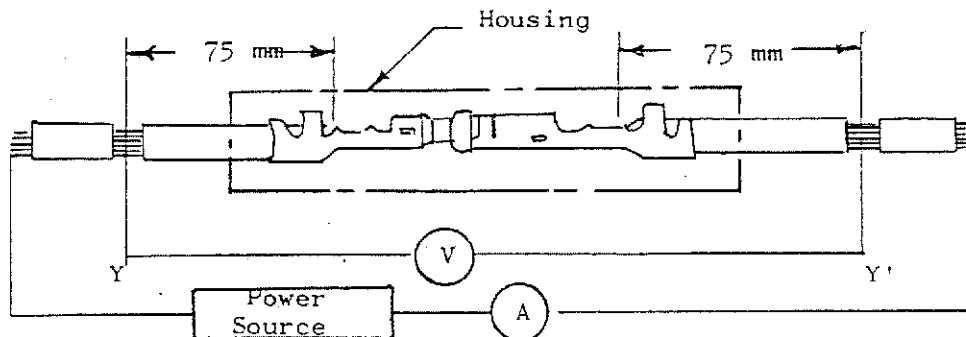


Fig. 1

7.2.5 Termination Resistance:

Mated pair of connectors and contacts are tested by applying closed circuit current of 1 A at open circuit voltage of 12 V DC flowing through the circuit as shown in Fig. 1. After temperature rising becomes stabilized, measure the millivolt drop of the terminated area between the probing points Y and Y', which are 75mm apart from the wire crimps. Termination resistance is obtained after deducting the resistance of 150 mm long wire used for termination. Measurements shall be made on the contact positions one after one in the connector. Probing points Y and Y' shall be pretreated by uniform soldering in order to stabilize measurement reading during the test.

7.2.6 Insulation Resistance:

Mated pair of connectors shall be tested by applying test potential of 500 V DC between the adjacent contacts and between the contacts and the ground.

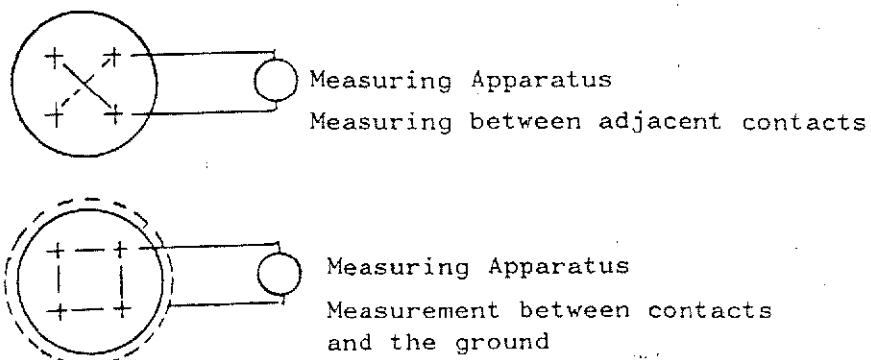


Fig. 2

SHEET		AMP Tyco Electronics AMP K.K. Kawasaki, Japan		
6 OF 15	LOC J	NO A	108-5136	RE C1
NAME Product Specification				
AMP-ECONOSEAL* Series "J" Connector				

7.2.7 Current Leakage:

Mated pair of connectors shall be tested by applying test current of 28 V DC between the diagonal contact positions as shown in Fig. 3.

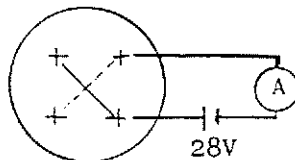


Fig. 3

7.2.8 Handling Touch at Assembly:

Tactually inspect the handling touch of contacts, as inserted and extracted as if the contacts are handled in practical assembly processing.

7.2.9 Crimp Tensile Strength:

Secure a contact which is crimped on an approximately 100mm-long wire, on tensile testing machine, and apply an axial pull-off load to the end of crimped wire by operating the head to travel with the speed at a rate of 100mm a minute. Crimp tensile strength is determined when the wire is broken or is pulled off from the wire crimp.

7.2.10 Watertight Capability:

Watertight capability of connector is tested by blowing compressed air into inside of connector through a small hole which is made through specifically for testing. For this test, wire ends are watertight-finished by soldering and masking by using adhesive material as shown in Fig. 4. Test is performed with the connector immersed into water at 30cm depth max., and blow the compressed air of the pressure specified in Table 2 for 30 seconds. Connector shall be monitored for leakage of air during compressive loading.

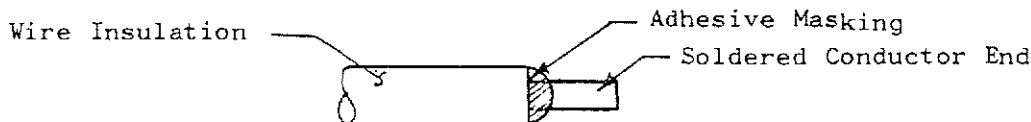


Fig. 4

Initial	49KPa(0.5kgf/cm ²)
Final	29.4KPa(0.3kgf/cm ²)

Table 2

SHEET		AMP Tyco Electronics AMP K.K. Kawasaki, Japan		
7 OF 15	LOC J	A	NO 108-5136	REV C1
NAME Product Specification				
AMP-ECONOSEAL*, Series 4J" Connector				

CLASSIFICATION Release

7.2.11 Contact Retention Force:

Secure a connector assembly on the tensile testing machine, which is filled with crimped contacts with 0.85mm² or larger wires, and apply an axial load to the end of crimped wire by operating the head to travel with the speed at a rate of 100mm a minute. Contact retention force is determined when the contact is dislodged from the housing cavity.

7.2.12 Housing Retention Force:

Secure a mated pair of connectors on the tensile testing machine with locking mechanism set in effect, and apply an axial load to separate the connectors to free end side connector by operating the head to travel with the speed at a rate of 100 mm a minute. Housing retention force is determined when the connector halves are separated with or without damage of locking mechanism.

7.2.13 Heat Resistibility:

Mated pair of connectors are subject to thermal exposure in the test oven for 120 hours where the elevated temperature is controlled to maintain at 120°C. After test duration, connectors are taken out of the oven, and reconditioned in the room temperature before undergoing subsequent measurements.

7.2.14 Cold Resistibility:

Mated pair of connectors are subject to exposure under chilled atmosphere in the test chamber for 120 hours, where the temperature is controlled to maintain at -50 ±5°C. After test duration, connectors are taken out from the test chamber, and reconditioned in the room temperature before undergoing subsequent measurements.

7.2.15 Thermal Shock:

Mated pair of connectors are subject to exposure under 50 cycles of heat conditioning in the test chamber, each cycle consisting of the temperature changes as specified in Table 3. After conditioning for 100 cycles, reconditioned in the room temperature, before the subsequent measurements.

Step	Test Conditions
1	120 ±5 °C, for 1 hour
2	Room Temperature for 5 minutes max.
3	-50 ±5°C, for 1 hour
4	Room Temperature for 5 minutes max.

Table 3

SHEET		AMP Tyco Electronics AMP K.K. Kawasaki, Japan		
8 OF 15				
LOC	A	NO	108-5136	REV
J				C1
NAME Product Specification				
AMP-ECONOSEAL* Series "J" Connector				

7.2.16 "Kojiri" Resistibility:

Tightly secure a connector assembly on a sturdy bench and mate a counter-part connector as shown in Fig. 5. "Kojiri" testing is performed by applying a torque force of $196\text{N}\cdot\text{cm}$ (T) to the mated connector reciprocatingly to force in right-left direction at every depth of 1 mm graduation along the extraction stroke, until the connector halves are completely separated. Making one separation a cycle, repeat insertion and extraction in the same manner for 25 cycles. After completion of 25 cycles in this direction, turn it to a traverse direction, and repeat for another 25 cycles as stated.

Note:

"Kohiri" is a Japanese term, meaning the motions to give forcing stress to a set of assembled parts as connectors or contacts in mated condition in the manner of twisting, bending and rolling, forcing in the directions amiss to working axis, resulting detrimental affection to the parts involved especially, deformation, breakage and damages as usually seen in contact/connector applications.

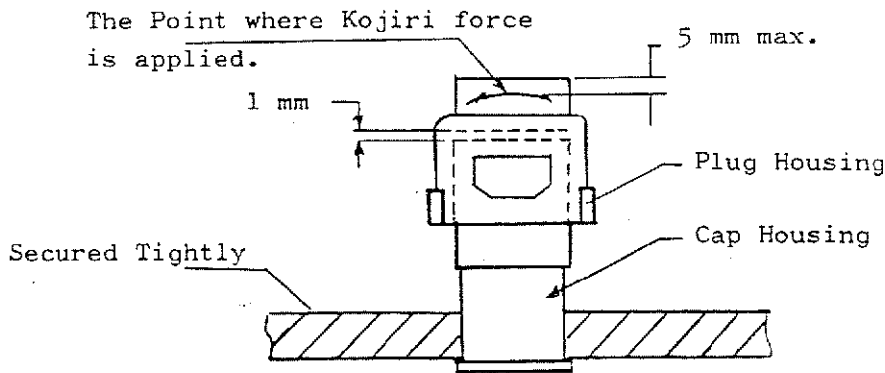


Fig. 5

7.2.17 Salt Spray:

Hang a mated pair of connectors in a closed test chamber, where the connectors are subject to exposure under salt spray of 5 ±1% in solution, 1.0268 - 1.0413 in specific gravity and 6.5 - 7.2 in hydrogen exponent, misted over the sample connectors by the aid of compressed air pressure of 68.6-177kPa (0.7-1.8kgf/cm²) in the temperature of 80 ±5°C in relative humidity of 90 - 95% for 96 hours. After completion of exposure duration, dry in the room temperature before subsequent measurements. During the salt spray conditioning, test voltage of 28V must be applied to the circuit shown in Fig. 3.

SHEET		AMP Tyco Electronics AMP K.K. Kawasaki, Japan	
9 OF 15	LCC J	NO A	108-5136
NAME		REV C	
Product Specification			
AMP-ECONOSEAL* Series "J" Connector			

NUMBER 108-5136
 CUSTOMER Release
 CLASSIFICATION

7.2.18 Vibration High Frequency:

After having all the contacts series-wired, mate the connector halves and secure on the vibration testing machine as shown in Fig. 6. The sample connectors are subject to the vibration of 44m/S^2 (4.5G) in sweeping frequencies changing between 20 - 200 Hz reciprocating one cycle a minute. During the vibratile conditioning, the circuits shall be energized with test current of 1 A at open circuit voltage of 12 V DC. Test for 8 hours, and the connector circuit shall be monitored for electrical discontinuity greater than 1 microsecond taking place in the circuit.

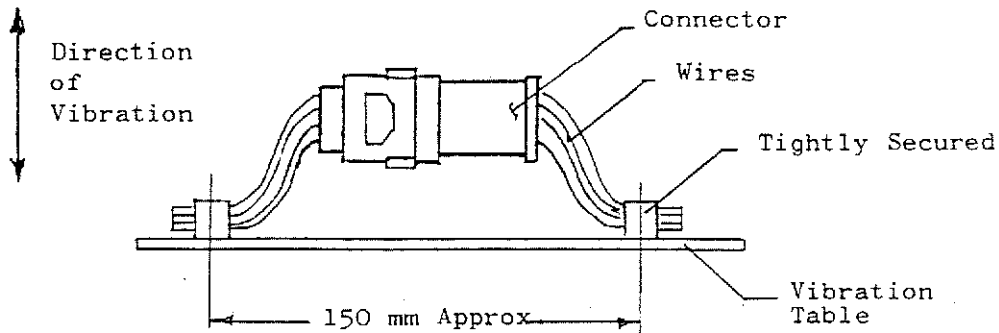


Fig. 6

7.2.19 Vibration, Low Frequency:

After having all the contacts series-wired, mate the connector halves and secure on the vibration testing machine conforming to SAE J 577 as shown in Fig. 6. The sample connectors are subject to vibration produced by power driven cam drops with the stroke of 3.2mm operated at a rate of 12.5 Hz. The end of vibration plate shall be suspended by the spring tension of 265 - 314N (27 - 32kgf). During the testing for 1 hour, the circuit is energized with test current of 1 A at open circuit voltage of 12 V, and monitored for electrical discontinuity greater than 1 microsecond taking place in the circuit.

7.2.20 Water Sprinkle:

Mated pair of connectors are tested in the test chamber after hanging and heated to $120 \pm 3^\circ\text{C}$ for 40 minutes, by sprinkling water at room temperature over the sample for 20 minutes. Making the stated steps one cycle, repeat testing for 48 cycles. Water sprinkling condition must be in accordance with JIS D 0203, Method S1. For this test, wires longer than 2 meters are used for termination, and the ends of which must be watertight-finished by soldering and adhesive material as stated in Para. 7.2.10, and kept outside the test chamber. During the test, test potential of 28V DC shall be applied between the probing points. The circuit shall be monitored for current leakage taking place in the circuit.

SHEET		AMP Tyco Electronics AMP K.K. Kawasaki, Japan		
10 OF 15	LOC J	A	NO 108-5136	REV C
NAME Product Specification				
AMP-ECONOSEAL* Series "J" Connector				

7.2.21 Current Cycling:

Mated pair of connectors are subject to testing by applying test current calculated by Tables 4 for 200 cycles, each cycle consisting of energizing for 45 minutes followed by deenergized 15 minutes. This test shall be performed in a draft-free test chamber.

Wire Size (mm ²)	Test Current (DC A)
0.3	7
0.5	11
0.85	14.5
1.25	18.5
2.0	25

No. of Positions	Decreasing Coefficient
1	1
2 - 3	0.75
4 - 5	0.6
6 - 8	0.55
9 - 12	0.5
13 & Over	0.4

Tables 4

Note: Test current intensity is obtained by test current of corresponding wire size used multiplied by the decreasing coefficient of the number of energized positions.

7.2.22 Liquid Detergents Resistibility:

Mated connector assemblies are subject for testing by immersing in commercially suppliable car washer liquid detergent at 50 ±2°C for 1 hour. After the duration, rinse in tap water for 5 minute, and dry in the room temperature before subsequent measurements.

7.2.23 Oil Resistibility:

Mated pair of connectors are subject for testing by immersing in the specified kinds of oil in accordance with the procedure specified in Table 5.

Step	Procedure
1	Immerse in engine oil for 1 hour. (SAE 10 W)
2	Cleanse in kerosene for 5 minutes.
3	Immerse in Gasoline for 1 hour. (JIS 2202)
4	Dry in room temperature.

Table 5

SHEET		AMP Tyco Electronics AMP K.K. Kawasaki, Japan		
11 OF 15	LOC	A	NO 108-5136	REV C1
NAME Product Specification				
AMP-ECONOSEAL* Series "J" Connector				

NUMBER 108-5136
 AMP SECURITY CLASSIFICATION
 Customer Release

7.2.24 Ozon Aging:

Mated pair of connectors are subject for testing in the test chamber, where the sample is hung and exposed under ozon atmosphere with the density of 50 ±5 ppm at 40 ±2°C for 24 hours in accordance with Para. 16 of JIS K 6301. After test duration, the sample is taken out of the chamber, and reconditioned in the room temperature. The tested results shall be recorded in accordance with Para. 16.6 of JIS K 6301, pertaining to the cracking condition of rubber sealing.

7.2.25 Weather Aging:

Mated pair of connectors are subject for testing in accordance with Para. 5.4 (WAN-1S(H) of JIS D 0205, by exposing under the sunshine carbon arc weather aging testing lights at 63 ±3°C for 150 hours. The tested results shall be recorded in accordance with Para. 16.6 of JIS K 6301, pertaining to the cracking condition of rubber sealing.

100-5136
REGISTRATION Release

SHEET	AMP Tyco Electronics AMP K.K. Kawasaki, Japan		
<u>120F_15</u>	LOC J A	NO 108-5136	REV C1
NAME Product Specification			
AMP-ECONOSEAL* Series "J" Connector			

7.3 Test Sequence:

All the tests shall be performed in accordance with the test sequence specified in Table 6.
(The numbers in the columns indicate the sequence of the tests performed) *Measured current leakage

Test Items	Classification		Test Sequence																	
	Kind of Samples Group Number	Connector	III	IV	V	VI	VII	VIII	IX	X										
Appearance	1	1		1	1	1	1													
Insertion Force (Contact/Connector)	2	2	13																	
Extraction Force (Contact/Connector)	3	5	12																	
Termination Resistance Low Level		3	7	10	2	5	9	2	6	9	2	5	2	6	2	6				
Termination Resistance					2	5					2	6	9	12						
Watertight Capability		4	8	11	3	6	10	3	6	2	7	10	4	7	10	13	3	7	3	7
Insulation Resistance						4				11										
Handling Touch at Assembly													2							
Contact Retention Force					7															
Housing Retention Force				14																
Heat Resistibility		6																		
Cold Resistibility			9																	
Thermal Shock							4													
Water Sprinkle																				
Current Leakage													8							
"Kojiri" Resistibility																				
Vibration, Low Frequency																				
Vibration, High Frequency																				
Current Cycling																				
Salt Spray																				
Crimp Tensile Strength		2																		
Liquid Detergent Resistibility																				
Oil Resistibility																				
Ozon Aging																				
Weather Aging																				

SHEET 13 OF 15

AMP Tyco Electronics AMP K.K. Kawasaki, Japan

LOC J REV C

NO 108-5136

NAME Product Specification

AMP-ECONOSEAL* Series "J" Connector

CLASSIFICATION Release

8. Quality Assurance Provisions:

8.1 Test Conditions:

Unless otherwise specified, all the tests shall be performed in any combination of the following test conditions.

Temperature	15 - 35°C
Relative Humidity	45 - 75 %
Atmospheric Pressure	86.7-10 7KPa(650-800mmHg)

8.2 Sample Preparation:

8.2.1 Samples:

The samples to be employed for the tests shall be prepared in accordance with 114-5039, AMP Application Specification, Crimping Locking Arm Connector Contacts, by using the wires specified in Table 7. No sample shall be reused, unless otherwise specified.

8.2.2 Number of Samples:

The number of contact and connector samples shall be consisting of more than 10 pieces contacts for testing contact, and more than 2 sets of connectors for testing connector.

Wire Size mm ² (AWG)	Wire Strand Composition Strand Dia- meter (mm)	Number of Strands	Cross-sectional Area		Applicable Specification
			mm ²	CMA	
0.5 (#20)	0.32	7	0.51	1,111	JIS C 3406 Low Voltage Cables for Automobiles
0.85 (#18)	0.32	11	0.88	1,746	
1.25 (#16)	0.32	16	1.28	2,540	
2.0 (#14)	0.32	26	2.09	4,128	

Table 7

9. Special Instructions for Handling:

9.1 Crimping and Assembly Processing:

In order to maintain reliable terminating performance of contacts and housing, crimping contact shall be performed in accordance with 114-5039, AMP Application Specification, Crimping Locking Arm Connector Contacts.

9.2 Assembly of Connector:

Insertion of contacts into rubber plug, and rubber plug into housing shall be performed carefully in accordance with customer manual CM-101J, AMP-ECONOSEAL* Series "J" Connector. Care must be taken not to let dust and foreign particles enter around "O" ring inside the connector.

SHEET	AMP Tyco Electronics AMP K.K. Kawasaki, Japan			
14 OF 15	LOC J	A	NO 108-5136	REV C1
NAME Product Specification				
AMP-ECONOSEAL* Series "J" Connector				

9.3 Insertion/Extraction Tool:

AMP Specified, applicable insertion and extraction tools must be used when to insert contact into rubber plug, and/or connector housing.

Insertion Tool 724658-1 Instruction Sheet IS-100J
 Extraction Tool 723905-1 " " IS-081J

10. Reference Documents:

JASO D 605 Automotive Multi-pole Connectors
 JASO 7101 Test Methods for Molded Plastic Parts
 JIS C 3406 Low Voltage Cables for Automobiles
 JIS D 0203 Method of Moisture, Rain and Spray Test for Automobile Parts
 JIS D 0204 Method of High and Low Temperature Test for Automobile Parts
 JIS D 1601 Vibration Testing Method for Electronic Components
 JIS D 0205 General Rules of Weatherability for Automobile Testing
 JIS K 6301 Physical Testing Methods for Vulcanized Rubber

AMP SECURITY CLASSIFICATION Customer Release Number 108-5136

SHEET		AMP Tyco Electronics AMP K.K. Kawasaki, Japan	
15 OF 15	LOC J	NO A 108-5136	REV C1
NAME Product Specification			
AMP-ECONOSEAL* Series "J" Connector			

社内標準



管理基準：一般顧客用

(技術標準)

たいくエレクトロニクスアンプ(株)

製品規格

108-5136

エコノシール・シリーズ"J"コネクタ(EJコネクタ)

1. 適用範囲

本規格は、たいくエレクトロニクスアンプ(株)で製造されるエコノシール・シリーズ"J"コネクタについて規定する。

2. 製品型番及び名称

型番	名称
170279-1	2φピン・ランスレス
170294-1	
170280-1	2φピン・リセプタクル・ランスレス・アッセンブリ
170295-1	
172189-1	うめ栓
172190-1~5	"0"リング
172197-1	1 極用ゴム栓
172200-1	2 極用ゴム栓
172203-1	3 極用ゴム栓
172206-1	4 極用ゴム栓
172193-1	8 極用ゴム栓
172282-1	12 極用ゴム栓
172195-1,4	1 極プラグ・ハウジング
172196-1,4	1 極キャップ・ハウジング
172198-1,4	2 極プラグ・ハウジング
172199-1,4	2 極キャップ・ハウジング
172201-1,4	3 極プラグ・ハウジング
172202-1,4	3 極キャップ・ハウジング
172204-1,4	4 極プラグ・ハウジング
172205-1,4	4 極キャップ・ハウジング
172191-1,4	8 極プラグ・ハウジング
172192-1,4	8 極キャップ・ハウジング
172280-1,2,4	12 極プラグ・ハウジング
172281-1,2,4	12 極キャップ・ハウジング

				作成： K. Oda 11/27/85	分類： 製品規格
C1	改訂	EJ00-2022-01	KS KK 9/30/81	検閲： 11/27/85	コード： 108-5136 C1
C	改訂	RFA-1975	5.7 3/3/82		
B	改訂	RFA-1710	11/27/85	承認： 11/27/85	名称： エコノシール・シリーズ"J"コネクタ
A	改訂	RFA-897	KO 4/1/86		
O	作成		4/20/82		
改訂	改訂記録		作成 検閲 承認 年月日		

3. 用語の説明

本規格に適用する用語の意味は次の通りとする。

- 3.1 コンタクト：コネクタの構成部品である接触子をいう。これにはピンコンタクトとトリセプタクル・コンタクトがある。
- 3.2ハウジング：コネクタの構成部品であるコンタクトを収容するものをいう。これにはピンコンタクトを収容するキャップ・ハウジングとトリセプタクル・コンタクトを収容するプラグ・ハウジングがある。
- 3.3 ゴム栓：防水性を得る目的でプラグ・ハウジング及びキャップ・ハウジングの電線側に挿入されるものをいう
- 3.4 うめ栓：2極以上のコネクタの場合、コンタクトを使用しない極数のゴム栓穴にうめ込んで使用するものをいう。
- 3.5 “O”リング：キャップ・ハウジングに装着され、プラグ・ハウジングと嵌合した時、両者との間で防水性を得る目的で使用されるものをいう。
- 3.6 コネクタ：電線を圧着したコンタクトをゴム栓に通し、ハウジングに全極アッセンブリしたものをいう。これにはピンコンタクトとキャップ・ハウジング、ゴム栓及び“O”リングのアッセンブリしたものとトリセプタクル・コンタクトとプラグ・ハウジング及びゴム栓のアッセンブリしたものがある。

4. 使用材料・表面処理

- 4.1 コンタクト：ASTM B 36 COPPER ALLOY 260 に準拠する錫めっき付黄銅条より製造される。
- 4.2 ハウジング：耐熱 66 ナイロン樹脂より製造される。
- 4.3 うめ栓：耐熱 66 ナイロン樹脂より製造される。
- 4.4 ゴム栓：クロロブレンゴム（CR）より製造される。
- 4.5 “O”リング：ニトルゴム（NBR）より製造される。

5. 形状・構造及び寸法

- 5.1 コンタクト：形状、構造及び寸法は該当する図面に合致していること。すべてのピンコンタクトとトリセプタクル・コンタクトは適用電線範囲に関係なく相互に嵌合できる。

分類：	製品規格	標準の名称：	エコノシール・シリーズ“J”コネクタ	標準のコード：	108-5136	改訂	2 頁
						C1	14 頁中

- 5.2 ハウジング：形状，構造及び寸法は該当する図面に合致していること。誤嵌合防止機構，ハウジング相互のロック機構及びコンタクト挿入ガイドを有する。
- 5.3 う め 栓：形状，構造及び寸法は該当する図面に合致していること。すべての極数のゴム栓に適用できる。
- 5.4 ゴ ム 栓：形状，構造及び寸法は該当する図面に合致していること。
コンタクト挿入方向マーク，ハウジング位置合わせ矢印，製品名マークを有する。
- 5.5 “O” リング：形状，構造及び寸法は該当する図面に合致していること。
6. 使用条件
- 6.1 使用温度範囲
-30 ~ 105 °C (周囲温度 + 通電による温度上昇)
- 6.2 適用電線範囲

型 番	適用電線範囲 (mm ²)	絶縁被覆外径
170279-1 170280-1	0.5, 0.85, 1.25, 2 の 1 本圧着	2.0 ~ 3.4 mm
170294-1 170295-1	0.5, 0.85 の 1 本圧着	2.0 ~ 2.8 mm

7. 性能及び試験方法

7.1 性 能

第 7.2 項〔試験方法〕及び第 7.3 項〔試験順序〕に基づき試験した結果，第 1 表の性能を満足すること。

分類： 製品規格	標準の名称： エコノシール・シリーズ“J”コネクタ	標準のコード： 108-5136	改訂	3 頁
			C1	14 頁中

第 1 表

項 目	試験方法	コネクタの性能																						
		初期性能	耐久・環境試験後の性能																					
外 観	7.2.1	亀裂, 割損, 破損, がた, 部品のはずれ, 錆び, 溶解等で機能を損う欠点のないこと。																						
コネクタ又は挿入力	7.2.2	2.94 - 11.8N (0.3 - 1.2kgf)	<table border="1"> <tr> <td>極数</td> <td>1</td> <td>2</td> <td>3</td> <td>4</td> <td>8</td> <td>12</td> </tr> <tr> <td>N(kgf)</td> <td>49</td> <td>58.8</td> <td>63.7</td> <td>68.6</td> <td>88.3</td> <td>127</td> </tr> <tr> <td>以下</td> <td>(5.0)</td> <td>(6.0)</td> <td>(6.5)</td> <td>(7.0)</td> <td>(9.0)</td> <td>(13.0)</td> </tr> </table>	極数	1	2	3	4	8	12	N(kgf)	49	58.8	63.7	68.6	88.3	127	以下	(5.0)	(6.0)	(6.5)	(7.0)	(9.0)	(13.0)
極数	1	2	3	4	8	12																		
N(kgf)	49	58.8	63.7	68.6	88.3	127																		
以下	(5.0)	(6.0)	(6.5)	(7.0)	(9.0)	(13.0)																		
コネクタ又は引抜き力	7.2.3	1.96 - 11.8N (0.2 - 1.2kgf)	<table border="1"> <tr> <td>極数</td> <td>1</td> <td>2</td> <td>3</td> <td>4</td> <td>8</td> <td>12</td> </tr> <tr> <td>N(kgf)</td> <td>29.4</td> <td>39.2</td> <td>53.9</td> <td>58.8</td> <td>78.5</td> <td>98.1</td> </tr> <tr> <td>以下</td> <td>(3.0)</td> <td>(4.0)</td> <td>(5.5)</td> <td>(6.0)</td> <td>(8.0)</td> <td>(10.0)</td> </tr> </table>	極数	1	2	3	4	8	12	N(kgf)	29.4	39.2	53.9	58.8	78.5	98.1	以下	(3.0)	(4.0)	(5.5)	(6.0)	(8.0)	(10.0)
極数	1	2	3	4	8	12																		
N(kgf)	29.4	39.2	53.9	58.8	78.5	98.1																		
以下	(3.0)	(4.0)	(5.5)	(6.0)	(8.0)	(10.0)																		
ローレベル抵抗	7.2.4	3mΩ 以下																						
総合抵抗	7.2.5	3mV/A 以下																						
絶縁抵抗	7.2.6	100MΩ 以上																						
リーク電流	7.2.7	100μA 以下																						
挿抜のフィーリング	7.2.8	有害な引掛り等のないこと。																						
圧着部引張強度	7.2.9	<table border="1"> <tr> <td>2.0 mm²</td> <td>265N(27kgf) 以上</td> </tr> <tr> <td>0.5 mm²</td> <td>88.3N(9kgf) 以上</td> </tr> <tr> <td>0.85 mm²</td> <td>127N(13kgf) 以上</td> </tr> <tr> <td>1.25 mm²</td> <td>177N(18kgf) 以上</td> </tr> </table>	2.0 mm ²	265N(27kgf) 以上	0.5 mm ²	88.3N(9kgf) 以上	0.85 mm ²	127N(13kgf) 以上	1.25 mm ²	177N(18kgf) 以上														
2.0 mm ²	265N(27kgf) 以上																							
0.5 mm ²	88.3N(9kgf) 以上																							
0.85 mm ²	127N(13kgf) 以上																							
1.25 mm ²	177N(18kgf) 以上																							
シール性	7.2.10	49KPa (0.5kgf/cm ²) 以上	29.4KPa 以上 (0.3kgf/cm ²)																					
コネクタ保持力	7.2.11	58.8N(6kgf) 以上																						
ハウジング保持力	7.2.12	98.1N(10kgf) 以上																						
耐熱性	7.2.13	<p>第 5 表に示す順序で耐久・環境試験を行ったとき性能を満足すること。</p>																						
耐寒性	7.2.14																							
熱衝撃	7.2.15																							
耐こじり性	7.2.16																							
散水	7.2.20																							
高周波振動	7.2.18																							
耐衝撃性	7.2.19																							
塩水噴霧	7.2.17																							
電流サイクル	7.2.21																							
耐洗剤液	7.2.22																							
耐油	7.2.23																							
耐オゾン	7.2.24																							
耐候性	7.2.25																							
分類： 製品規格	標準の名称： エコノシール・シリーズ "J" コネクタ	標準のコード： 108-5136	改訂 C1																					
			4 頁 14 頁中																					

7.2 試験方法

7.2.1 外 観

外観を目視及び触覚により観察し、有害な亀裂、割損、がた、部品のはずれ、錆、溶解及び変形等の有無を確認する。

7.2.2 コンタクト又はコネクタの挿入力

コンタクト又はコネクタの一方を固定し、他方を軸方向に毎分約 100 mm の一定速度で操作する。なお、ハウジングのロック機構は、これを作用させて行なう。

7.2.3 コンタクト又はコネクタ引抜き

コンタクト又はコネクタの一方を固定し、他方を軸方向へ毎分約 100 mm の一定速度で操作する。なお、ハウジングのロック機構は作用させないで行なう。

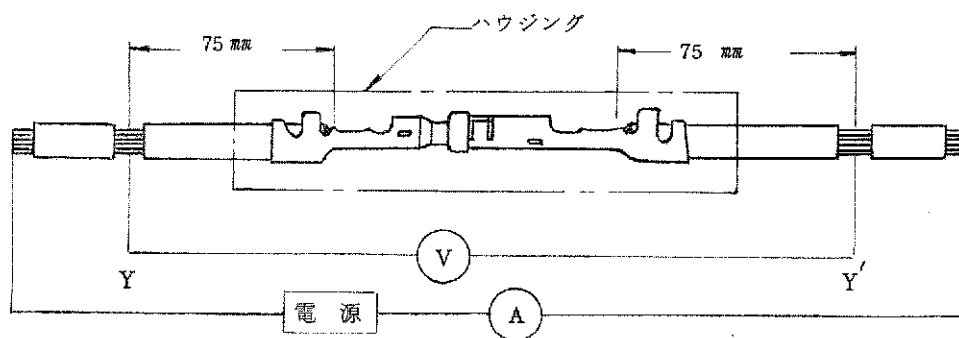
7.2.4 ローレベル抵抗

コンタクト又はコネクタを嵌合した状態で開放電圧 DC 50 mV 以下、短絡電流 50 mA 以下を通電し、圧着部より 75 mm 離れた点で抵抗を測定する。

(第 1 図の Y - Y' 間)

ローレベル抵抗は、Y - Y' 間の抵抗から 150 mm の電線の抵抗分を差引いて算出する。なお、測定は 1 極ずつ行うものとする。

第 1 図



分類： 製品規格	標準の名称： エコノシール・シリーズ "J" コネクタ	標準のコード： 108-5136	改訂 C	5 頁 14 頁中
-------------	--------------------------------	---------------------	---------	--------------

7.2.5 総合抵抗

コンタクト又はコネクタを嵌合した状態で開放電圧DC 12V，短絡電流1Aを通電しコンタクトの温度が安定した後，圧着部より75 mm離れた点で電圧降下を測定する。（第1図のY-Y'間）

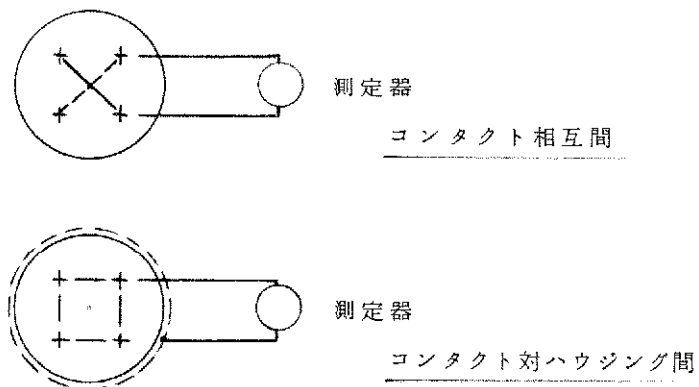
総合抵抗は，Y-Y'間の電圧降下から150 mmの電線の電圧降下を差引いて算出する。なお，測定は1極ずつ行うものとする。

Y，Y'点は被覆を余分にむきとって電流密度を一様にするため，プローブをあてる電線部分に半田をもる。

7.2.6 絶縁抵抗

コネクタを嵌合した状態で，第2図の如く隣接するコンタクト相互間，及びコンタクト対ハウジング間（対アース間）を測定する。なお，測定電圧はDC 500Vとする。

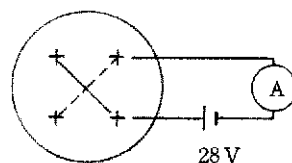
第2図



7.2.7 リーク電流

コネクタを嵌合した状態で第3図の如く隣接するコンタクト相互間にDC 28Vを印加する。

第3図



分類： 製品規格	標準の名称： エコノシール・シリーズ“J”コネクタ	標準のコード： 108-5136	改訂 C1	6頁 14頁中
-------------	------------------------------	---------------------	----------	------------

7.2.8 挿抜のフィーリング

コンタクト又はコネクタの挿入，引抜きを手動にて行い，そのフィーリングを触感にて確認する。

7.2.9 圧着部引張強度

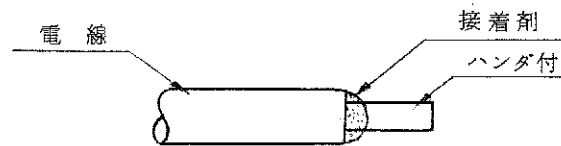
約 100 mm の長さの電線を圧着したコンタクトを固定し，電線を軸方向に毎分約 100 mm の一定速度で引張り，電線の破断又は圧着部から電線の引抜けたときの荷重を測定する。

7.2.10 シール性

コネクタのハウジングに穴をあけ，その穴より圧縮空気を送りコネクタのシール性を調べる。

試験にあたって電線の先端はハンダ付後接着剤で密封する〔第 4 図〕。測定はコネクタを水中（水面下 30 cm 以内）に入れ〔第 2 表〕に示す圧縮空気を 30 秒間送り空気のもれがないかどうか調べる。

第 4 図



第 2 表

項目	空気圧 Pa (kgf/cm ²)
初期	49K (0.5)
耐久・環境試験後	29.4K (0.3)

7.2.11 コンタクト保持力

ハウジングに約 100 mm の長さ，0.85 mm² 以上の断面積の電線を圧着したコンタクトが組込まれたコネクタを固定し，電線を軸方向へ毎分約 100 mm の一定速度で引張りコンタクトがハウジングから抜けた時の荷重を測定する。

7.2.12 ハウジング保持力

コネクタを嵌合し，ロック機構の作用した状態で一方を固定し，他方を軸方向に，毎分約 100 mm の一定速度で引張り，ロック機構の外れ，又は破損して嵌合の外れた時の荷重を測定する。

分類：	標準の名称：	標準のコード：	改訂	7 頁
製品規格	エコノシール・シリーズ "J" コネクタ	108-5136	C1	14 頁中

7.2.13 耐熱性

コネクタを嵌合した状態で $120 \pm 3^\circ\text{C}$ に保たれた恒温槽に 24 時間放置し、その後取り出して常温に戻るまで放置する。

7.2.14 耐寒性

コネクタを嵌合した状態で $-50 \pm 5^\circ\text{C}$ に保たれた恒温槽に 24 時間放置し、その後取り出して常温に戻るまで放置する。

7.2.15 熱衝撃

コネクタを嵌合した状態で第 3 表に示す試験を 1 サイクルとして、これを 5 サイクル行った後、室温に戻るまで放置する。

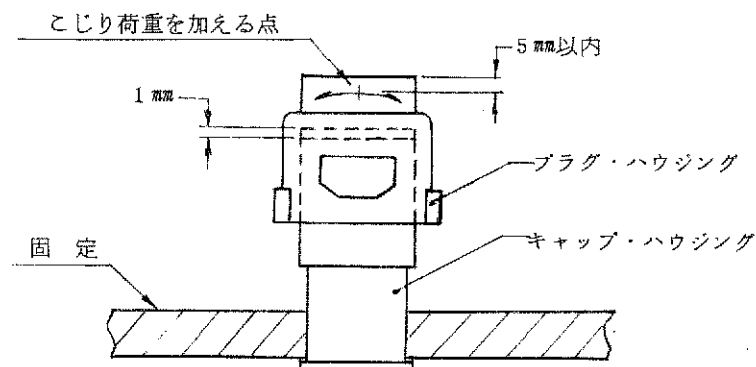
第 3 表

試験順序	試験方法
1	$120 \pm 5^\circ\text{C}$ 1 時間
2	室温 5 分以内
3	$-50 \pm 5^\circ\text{C}$ 1 時間
4	室温 5 分以内

7.2.16 耐こじり性

コネクタを引抜き時に第 5 図の如くコネクタの一方を固定し、他方を 1mm 間隔でコンタクト同志の嵌合がはずれるまで引抜きながら、各段階で前後方向に 1 往復、 $196\text{N}\cdot\text{cm}$ (T) (20kgf·cm) のトルクを加える。これを 1 サイクルとして 25 サイクル行う。次に左右方向も同様に 1 往復 $196\text{N}\cdot\text{cm}$ (T) (20kgf·cm) のトルクを加える。これを 1 サイクルとして 25 サイクル行う。

第 5 図



分類：

製品規格

標準の名称：

エコノシール・シリーズ "J" コネクタ

標準のコード：

108-5136

改訂

8 頁

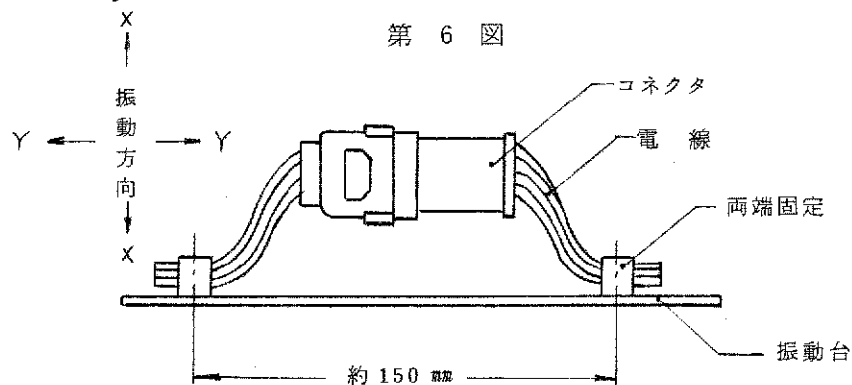
C / 14 頁中

7.2.17 塩水噴霧

密閉タンク内にコネクタを吊し、温度 $35 \pm 5^\circ\text{C}$ 、塩水濃度 $5 \pm 1\%$ 、比重 $1.0268 \sim 1.0413$ 、PH $6.5 \sim 7.2$ の塩水を $68.6-177\text{KPa}$ の圧力で 24h 噴霧させ、その後コネクタを湿度槽内に吊し、 $80 \pm 5^\circ\text{C}$ 、湿度 $90 \sim 95\% \text{RH}$ で 24h 放置する。その後常温で乾燥後測定をする。塩水噴霧中は、コネクタの各極間に第 3 図に示す回路で 28V の電圧を印加する。

7.2.18 高周波振動

コネクタを嵌合、全極直列に接続し、開放電圧 DC 12V、短絡電流 1A を通電した状態で第 6 図の如く振動試験機に取り付ける。振動加速度は 44m/s^2 (4.5G)、振動周波数は、 $20 \sim 200\text{Hz}$ を往復 1 分間でスイープさせる。これを X、Y 方向 各 4 時間計 8 時間行い、 $1\mu\text{sec}$ 以上の瞬断の有無を観察する。この試験に用いる電線は 0.85mm^2 以上とする。



7.2.19 耐衝撃性

コネクタを嵌合、全極直列に接続し、開放電圧 DC 12V、短絡電流 1A を通電した状態で第 6 図の如く、SAE J 577 による試験装置に取付け、振動数 12.5Hz 、カム落下 3.2mm 、衝撃台の端でのスプリング張力 $265-314\text{N}$ ($27-32\text{kgf}$) で 1 時間行い、 $1\mu\text{sec}$ 以上の瞬断の有無を確認する。

7.2.20 散水試験

コネクタを散水試験槽内に吊し、48 時間 実施する。散水条件は JIS D 0203 の S1 とする。

試験中はコネクタの各極間に 28V の電圧を印加し、リーク電流を記録する。なお試験を実施するときは、リードワイヤは 2m とし、その末端はハンダ付後、接着剤で密封し試験槽の外に出す。

分類：	標準の名称：	標準のコード：	改訂	9 頁
製品規格	エコノシール・シリーズ "J" コネクタ	108-5136	C	14 頁中

7.2.21 電流サイクル

コネクタを嵌合した状態で全極に第4表から算出される電流を通電する。

通電45分間、休止15分間を1サイクルとして100サイクル行う。なお、試験は無風状態で行う。

第4表

電線サイズ (mm ²)	電流値 (DC A)
0.5	1.1
0.85	1.45
1.25	1.85
2	2.5

極数	減少係数
1	1
2～3	0.75
4～5	0.6
6～8	0.55
9～12	0.5
13以上	0.4

(注)： 通電電流は、各電線サイズに対応する電流値と極数に対応する減少係数との積から算出される。

7.2.22 耐洗剤液

50±2℃のウォッシュ液(市販品)にコネクタを1時間浸漬し、その後水道水中に5分間浸漬したのち自然乾燥を行う。

7.2.23 耐油性

コネクタを嵌合した状態で50±2℃のエンジン油(SAE 10W)又は同等品、常温のガソリン(JISK 2202)又は同等品、及び常温の白灯油を使用し、つぎの順序で試験を行う。

エンジンオイル1時間浸漬 → 白灯油洗浄5分間浸漬
 → ガソリン1時間浸漬 → 自然乾燥

7.2.24 耐オゾン

コネクタを嵌合した状態で $40 \pm 2^\circ\text{C}$ に保たれた密閉容器内に吊し、JIS K 6301 第 16 項に基づき、オゾン濃度 50 ± 5 pphm 中に 24 時間放置後取り出し室温に放置する。

ゴムの亀裂 状態は JIS K 6301 第 16.6 項に基づき記録しておく。

7.2.25 耐候性

コネクタを嵌合した状態で JIS D 0205 第 5.4 項 (WAN-1S) に基づきサンシャインカーボンアーク灯式耐候性試験機で $63 \pm 3^\circ\text{C}$ 、150 時間試験を行う。

ゴムの亀裂 状態は JIS K 6301 第 16.6 項に基づき記録しておく。

分類：	製品規格	標準の名称：	エコノシール・シリーズ "J" コネクタ	標準のコード：	108-5136	改訂	11 頁
						C /	14 頁中

7.3 試験順序

試験順序は第5表に示すグループ毎の順序に従って行うものとする。

第5表

区分	試験順序																
	コンタクト		コネクタ														
項目	グループ	I	II	III		IV		V	VI	VII	VIII	IX	X				
外観		1	1	1			1		1		1	4	1	5	1	5	
コンタクト又はコネクタ挿入力		2		2													
コンタクト又はコネクタ引抜力		3		5													
ローレベル抵抗				3	7	9	2	5	8	2	6	8		2	6	2	6
総合抵抗								2	4			2	5	7	9		
シール性				4	10		3	9		3	9			3	7	3	7
絶縁抵抗									4	10							
挿抜のフィーリング											3						
コンタクト保持力								5									
ハウジング保持力						11											
高温放置			6														
低温放置				8													
熱衝撃						4											
散水												2					
リーク電流							7					3*					
耐こじり性										4							
耐衝撃								3									
振動											6						
カレントサイクル												8					
塩水噴霧							6										
圧着部引張強度		2															
耐洗剤液									5								
耐油										7							
耐オゾン													4				
耐候性																	4

*：散水中のリーク電流測定を行う。

分類：

製品規格

標準の名称：

エコノシール・シリーズ“J”コネクタ

標準のコード：

108-5136

改訂

C1

12頁

14頁中

8. 品質保証条件

8.1 試験条件

特に指定のない場合は、第6表に示す環境条件のもとで性能試験を行うものとする。

第6表

温度	15～35℃
相対湿度	45～75%
気圧	86.7-107kPa(650-800mmHg)

8.2 試験

8.2.1 試料

性能試験に用いる試料は、取付適用規格 114-5039 「ロッキング・アーム・コネクタ・コンタクトの圧着条件」に基づいて第7表に示す電線に圧着した正規の試料であること。

いずれの試料も規定された順序以外の他の試験に用いてはならない。

8.2.2 試料数

性能試験に用いる試料数は各グループ毎にコンタクト単体の場合10セット、コネクタの場合2セット以上で行うものとする。

8.2.3 使用電線

性能試験に用いる電線は第7表に示す電線にて行うものとする。

第7表

電線サイズ		素線構成		断面積		電線規格
呼び	AWG	素線径(mm)	素線数	mm ²	CMA	
0.5	#20	0.32	7	0.51	1111	JIS C-3406 自動車用低圧電線
0.85	#18	0.32	11	0.88	1746	
1.25	#16	0.32	16	1.28	2540	
2	#14	0.32	26	2.09	4128	

分類： 製品規格

標準の名称：
エコノシール・シリーズ "J" コネクタ

標準のコード：
108-5136

改訂
C | 13 頁
14 頁中

9. 取扱い上の注意事項

9.1 圧着及び取扱い

ハウジングとコンタクトの保持性能及びコネクタの接触性能を維持する為、コンタクトの圧着は「ロッキング・アーム・コネクタ端子取付適用規格 114-5039」に基づいて作業を行うこと。

9.2 コネクタの組立作業

ゴム栓及びコンタクトのハウジング挿入作業は「エコノシール・シリーズ“J”コネクタ取扱説明書CM-101J」に基づいて作業を行うこと。
とくに“O”リングは塵埃の付着がないよう、十分注意すること。

9.3 挿入工具・引抜工具

ゴム栓へのコンタクト挿入工具及びコンタクトをハウジングから引抜く場合の引抜工具はAMP指定の工具を使用すること。

挿入工具： 型番 724658-1 (取扱説明書 IS-100J)

引抜工具： 型番 723905-1 (取扱説明書 IS-081J)

10. 参考規格

- JASO D 605： 「自動車用多極コネクタ」
 JASO 7101： 「プラスチック成形部品の試験方法」
 JIS C 3406： 「自動車用低圧電線」
 JIS D 0203： 「自動車部品の耐湿および耐水試験方法」
 JIS D 0204： 「自動車部品の高温および低温試験方法」
 JIS D 1601： 「自動車部品振動試験方法」
 JIS D 0205： 「自動車部品の耐候性試験通則」
 JIS K 6301： 「加硫ゴム物理試験法」
 JIS K 2202： 「自動車ガソリン」

分類： 製品規格	標準の名称： エコノシール・シリーズ“J”コネクタ	標準のコード： 108-5136	改訂	14頁
			C	14頁中