



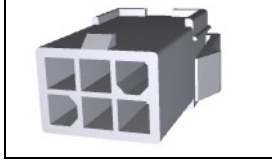
Have a Question?
 Chat with a Product
 Information Specialist

What can we help you find?

[Products](#) |
 [Industries](#) |
 [Resources](#) |
 [About TE](#) |
 [My Account](#) |
 [Innovation](#) |
 [Support Center](#)

172331-1 Product Details

[Share](#) |
 [Print](#) |
 [Email](#)



172331-1

TE Internal Number: 172331-1

Active

View 3D PDF

.163" Centerline, 600 V, 9.5 A max.

Always EU RoHS/ELV Compliant (Statement of Compliance)

Product Highlights:

- Mini-Universal MATE-N-LOK Product Line
- Wire-to-Wire
- Applies To Wire/Cable
- Connector
- Glow Wire Rating = Standard Part - Not Glow Wire

[View all Features](#)

Quick Links

- ▶ [Pricing & Availability](#)
- ▶ [Search for Tooling](#)
- ▶ [View Mating Products \(1\)](#)
- ▶ [View Contacts \(85\)](#)
- ▶ [Product Feature Selector](#)
- ▶ [Contact Us About This Product](#)

[Add to My Part List](#) |
 [Request Sample](#) |
 [Find Similar Products](#) |
 [Buy Product](#)

Documentation & Additional Information	
<p>Product Drawings:</p> <ul style="list-style-type: none"> • MINI UNIVERSAL MATE N LOK CONN. CAP HOUSING 6 POS. (... (PDF, English) <p>Catalog Pages/Data Sheets:</p> <ul style="list-style-type: none"> • 1-1773458-0_MINI_UNIVERSAL_MATE_N_LOK_CONNECTOR_SYST... (PDF, English) • SOFT_SHELL_PIN_AND_SOCKET_CONNECTORS_CATALOG (PDF, English) <p>Product Specifications:</p> <ul style="list-style-type: none"> • Mini-Universal MATE-N-LOK* Connector (PDF, English) • Mini-Universal MATE-N-LOK Connector(UL 94V-2) (PDF, English) <p>Application Specifications:</p> <ul style="list-style-type: none"> • Mini-Universal MATE-N-LOK Connectors (PDF, English) <p>Instruction Sheets:</p> <ul style="list-style-type: none"> • Mini-Universal MATE-N-LOK Connectors (PDF, English) <p>CAD Files: (CAD Format & Compression Information)</p> <ul style="list-style-type: none"> • 2D Drawing (DXF, Version A1) • 3D Model (IGES, Version A1) • 3D Model (STEP, Version A1) 	<p>Additional Information:</p> <ul style="list-style-type: none"> • Product Line Information <p>Related Products:</p> <ul style="list-style-type: none"> • Tooling • Mating Products (1) • Contacts (85)

[List all Documents](#)

Product Features (Please use the Product Drawing for all design activity)	
<p>Product Type Features:</p> <ul style="list-style-type: none"> • Product Line = Mini-Universal MATE-N-LOK • Product Type = Connector • Connector Type = Housing • PCB Mount Retention = Without • Sealed = No • Strain Relief = Without • UL File Number = E28476 • CSA File Number = LR 7189 <p>Mechanical Attachment:</p> <ul style="list-style-type: none"> • Contact Retention = Without • Mating Retention Type = Locking Tab • Panel Mount Retention = With • Panel Mount Retention Type = Mounting Ear(s) <p>Electrical Characteristics:</p> <ul style="list-style-type: none"> • Operating Voltage Reference = AC/DC • Operating Voltage (VAC) = 600 • Operating Voltage (VDC) = 600 <p>Dimensions:</p> <ul style="list-style-type: none"> • Panel Thickness (mm [in]) = 0.80 - 2.00 [0.031 - 0.078] 	<p>Configuration Features:</p> <ul style="list-style-type: none"> • Number of Rows = 2 • Number of Positions = 6 <p>Industry Standards:</p> <ul style="list-style-type: none"> • RoHS/ELV Compliance = RoHS compliant, ELV compliant • Lead Free Solder Processes = Not relevant for lead free process • RoHS/ELV Compliance History = Always was RoHS compliant • VDE Tested = Yes • Agency/Standard = UL, CSA • UL Rating = Recognized • CSA Rating = Certified <p>Environmental:</p> <ul style="list-style-type: none"> • Operating Temperature (°C [°F]) = -20 - +105 [-4 - +221] <p>Conditions for Usage:</p> <ul style="list-style-type: none"> • Applies To = Wire/Cable • Glow Wire Rating = Standard Part - Not Glow Wire <p>Operation/Application:</p> <ul style="list-style-type: none"> • Application Use = Wire-to-Wire <p>Packaging Features:</p> <ul style="list-style-type: none"> • Packaging Method = Bag

<p>Key Features:</p> <ul style="list-style-type: none"> • Used With = Mini-Universal MATE-N-LOK Plug Housing • Mating Retention = With • Row-to-Row Spacing (mm [in]) = 4.14 [0.163] • Assembly Integration Feature = Without <p>Contact Features:</p> <ul style="list-style-type: none"> • Contact Type = Pin • Contact Layout = Dual Row • Shunts/Shorting Bars = Without • Multiple Contact Types = Without <p>Housing Features:</p> <ul style="list-style-type: none"> • Connector Style = Panel, Receptacle • Housing Material = Nylon 6/6 • Housing Color = Natural • Mating Alignment = With • Mating Alignment Type = Chamfered Edges • Centerline (mm [in]) = 4.14 [0.163] • UL Flammability Rating = UL 94V-2 	<ul style="list-style-type: none"> • Packaging Quantity = 500 <p>Other:</p> <ul style="list-style-type: none"> • Brand = AMP
---	---

Corporate Information

- [About TE](#)
- [Investors](#)
- [News Room](#)
- [Supplier Portal](#)
- [Careers](#)
- [Terms & Conditions](#)
- [Privacy Policy](#)

Quick Links

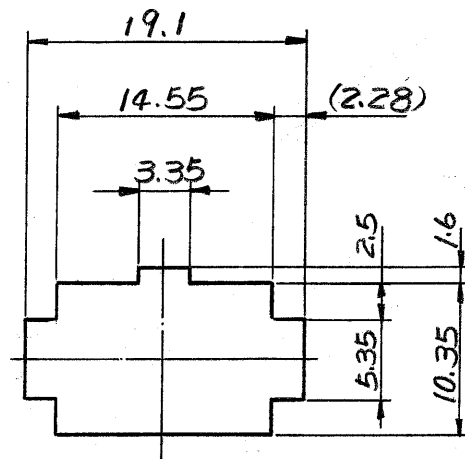
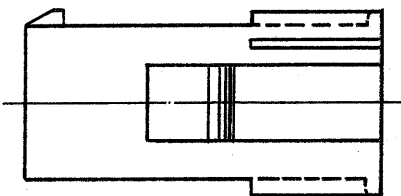
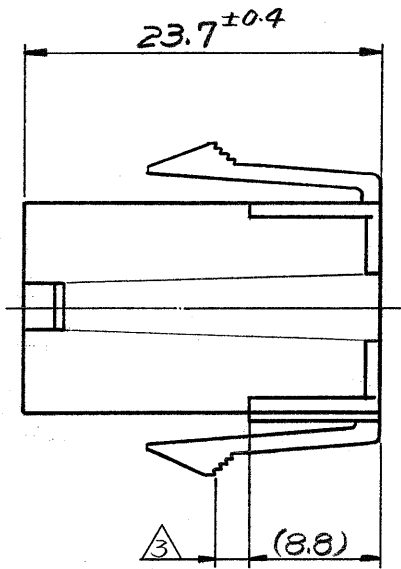
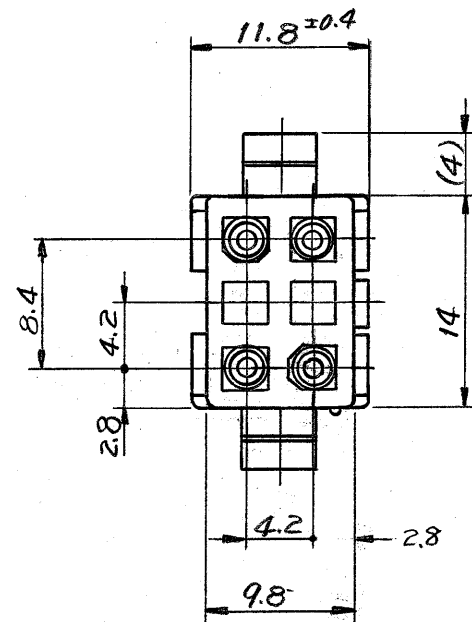
- [Distributor Inventory](#)
- [Product Cross Reference](#)
- [Documents & Drawings](#)
- [Product Compliance Support Center](#)
- [Site Map](#)

Customer Support

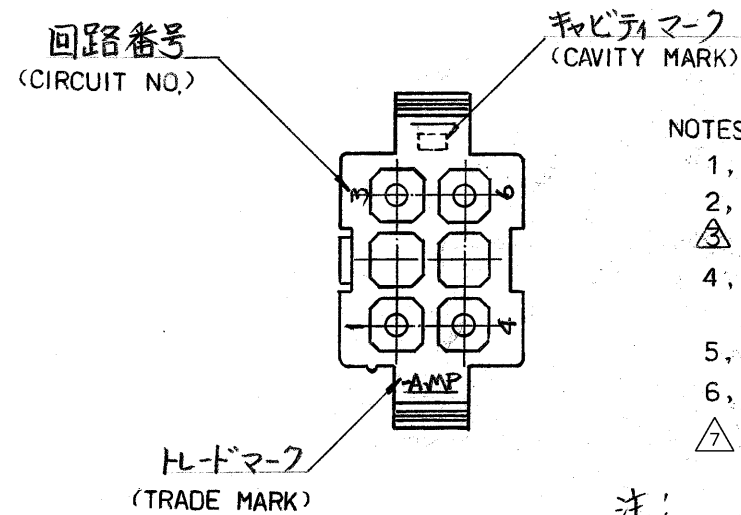
- [Email or Chat With Us](#)
- [Find a Phone Number](#)
- [Knowledge Base](#)
- [Manage Your Account](#)

Keep Me Informed





寸法公差は±0.20
(TOLERANCE: ±0.2)
パネル取付穴
(DIMENSION OF PANEL)



NOTES:

- 1, APPLIED CONTACT P/N: 170359, 170360, 170361, 170362
 - 2, MATING CONN: PLUG HOUSING P/N 172339
 - △ PANEL THICKNESS: 0.8 ~ 2.0 mm
 - 4, PRESS DIRECTION OF PANEL MUST BE SAME AS HOUSING INSERTED DIRECTION.
 - 5, INSTRUCTION SHEET: IS-105J
 - 6, PRODUCT SPEC: 108-5151
- △ OBSOLETE PARTS: OBSOLETE CIS STREAMLINING PER D.RENAUD/D.SINISI

注:

1. 使用端子型番は 170359, 170360, 170361, 170362
2. 嵌合相手ハウジング型番は 172339
- △ 適用パネル厚 0.8 ~ 20 mm
4. 取付穴打抜方向とハウジングの挿入方向は同じとする。
5. 取扱説明書: IS-105J
6. 適用製品仕様書: 108-5151

OBSOLETE	黄 (YELLOW)	1 - 172331 - 4
	黒 (BLACK)	1 - 172331 - 9
	青 (BLUE)	1 - 172331 - 6
	緑 (GREEN)	1 - 172331 - 5
	赤 (RED)	1 - 172331 - 2
	自然色 (NATURAL)	172331 - 1
	色 (COLOR)	型番 (P/N)

材料 (MATERIAL) 6/6 ナイロン (UL94V-2) (NYLON 6/6 UL94V-2)		一般公差 TOLERANCE ± 0.3 EXCEPT ± 1° AS NOTED		TE Connectivity	
仕上 (FINISH) 色: 表参照 HOUSING COLOR: SEE TABLE		DR. <i>R. Yuzasa 4/20/11</i> CHK. <i>J. Taniguchi</i> DE. <i>4/21/11</i> APP.		名称 (NAME): MINI-UNIVERSAL MATE-N-LOK CONN. CAP HOUSING 6Pos. (UL94V-2) 6極 ミニユニバーサル マイテンロック コネクターハウジング (UL94V-2)	
		SIZE: B LOC: J	番号 (NO.): C-172331		
		尺度 (SCALE): 2:1	REV.: A3	SHEET: #	

単位: 概 寸 法 尺 寸 法 印 刷 不 同

PRINT DIST

A3	REVISED PER ECO-11-005030	RK	HMR	01APR11
LTR.	変更 (REVISION RECORD)	DR.	CHK.	DATE