



**Have a Question?**  
 Chat with a Product Information Specialist

What can we help you find?

[Products](#) | 
 [Industries](#) | 
 [Resources](#) | 
 [About TE](#) | 
 [My Account](#) | 
 [Innovation](#) | 
 [Support Center](#)

**172337-1 Product Details**

[Share](#) | 
 [Print](#) | 
 [Email](#)



**172337-1**

TE Internal Number: 172337-1

Active

View 3D PDF

**.163" Centerline, 600 V, 9.5 A max.**

Always EU RoHS/ELV Compliant (Statement of Compliance)

**Product Highlights:**

- Mini-Universal MATE-N-LOK Product Line
- Wire-to-Wire
- Applies To Wire/Cable
- Connector
- Glow Wire Rating = Standard Part - Not Glow Wire

[View all Features](#)

**Quick Links**

- ▶ [Pricing & Availability](#)
- ▶ [Search for Tooling](#)
- ▶ [View Mating Products \(2\)](#)
- ▶ [View Contacts \(85\)](#)
- ▶ [Product Feature Selector](#)
- ▶ [Contact Us About This Product](#)

[Add to My Part List](#) | 
 [Request Sample](#) | 
 [Find Similar Products](#) | 
 [Buy Product](#)

Documentation & Additional Information	
<p><b>Product Drawings:</b></p> <ul style="list-style-type: none"> <li>• <a href="#">MINI-UNIVERSAL MATE-N-LOK CONN PLUG HOUSING 3 Pos. (... (PDF, English)</a></li> </ul> <p><b>Catalog Pages/Data Sheets:</b></p> <ul style="list-style-type: none"> <li>• <a href="#">1-1773458-0_MINI_UNIVERSAL_MATE_N_LOK_CONNECTOR_SYST... (PDF, English)</a></li> <li>• <a href="#">SOFT_SHELL_PIN_AND_SOCKET_CONNECTORS_CATALOG (PDF, English)</a></li> </ul> <p><b>Product Specifications:</b></p> <ul style="list-style-type: none"> <li>• <a href="#">Mini-Universal MATE-N-LOK Connector(UL 94V-2) (PDF, English)</a></li> </ul> <p><b>Application Specifications:</b></p> <ul style="list-style-type: none"> <li>• <a href="#">Mini-Universal MATE-N-LOK Connectors (PDF, English)</a></li> </ul> <p><b>Instruction Sheets:</b></p> <ul style="list-style-type: none"> <li>• <a href="#">Mini-Universal MATE-N-LOK Connectors (PDF, English)</a></li> </ul> <p><b>CAD Files: (CAD Format &amp; Compression Information)</b></p> <ul style="list-style-type: none"> <li>• <a href="#">2D Drawing (DXF, Version A2)</a></li> <li>• <a href="#">3D Model (IGES, Version A2)</a></li> <li>• <a href="#">3D Model (STEP, Version A2)</a></li> </ul> <p style="text-align: right;"><a href="#">List all Documents</a></p>	<p><b>Additional Information:</b></p> <ul style="list-style-type: none"> <li>• <a href="#">Product Line Information</a></li> </ul> <p><b>Related Products:</b></p> <ul style="list-style-type: none"> <li>• <a href="#">Tooling</a></li> <li>• <a href="#">Mating Products (2)</a></li> <li>• <a href="#">Contacts (85)</a></li> </ul>

Product Features (Please use the Product Drawing for all design activity)	
<p><b>Product Type Features:</b></p> <ul style="list-style-type: none"> <li>• Product Line = Mini-Universal MATE-N-LOK</li> <li>• Product Type = Connector</li> <li>• Connector Type = Housing</li> <li>• PCB Mount Retention = Without</li> <li>• Sealed = No</li> <li>• UL File Number = E28476</li> <li>• CSA File Number = LR 7189</li> </ul> <p><b>Mechanical Attachment:</b></p> <ul style="list-style-type: none"> <li>• Contact Retention = Without</li> <li>• Mating Retention Type = Locking Latch</li> <li>• Panel Mount Retention = Without</li> </ul> <p><b>Electrical Characteristics:</b></p> <ul style="list-style-type: none"> <li>• Operating Voltage Reference = AC/DC</li> <li>• Operating Voltage (VAC) = 600</li> <li>• Operating Voltage (VDC) = 600</li> </ul> <p><b>Body Features:</b></p> <ul style="list-style-type: none"> <li>• Used With = Mini-Universal MATE-N-LOK Cap Housing</li> <li>• Mating Retention = With</li> <li>• Assembly Integration Feature = Without</li> </ul> <p><b>Contact Features:</b></p> <ul style="list-style-type: none"> <li>• Contact Type = Socket</li> </ul>	<p><b>Configuration Features:</b></p> <ul style="list-style-type: none"> <li>• Number of Rows = 1</li> <li>• Number of Positions = 3</li> <li>• Strain Relief = Without</li> </ul> <p><b>Industry Standards:</b></p> <ul style="list-style-type: none"> <li>• <a href="#">RoHS/ELV Compliance</a> = RoHS compliant, ELV compliant</li> <li>• <a href="#">Lead Free Solder Processes</a> = Not relevant for lead free process</li> <li>• RoHS/ELV Compliance History = Always was RoHS compliant</li> <li>• VDE Tested = Yes</li> <li>• Agency/Standard = CSA, UL</li> <li>• UL Rating = Recognized</li> <li>• CSA Rating = Certified</li> </ul> <p><b>Environmental:</b></p> <ul style="list-style-type: none"> <li>• Operating Temperature (°C [°F]) = -20 - +105 [-4 - +221]</li> </ul> <p><b>Conditions for Usage:</b></p> <ul style="list-style-type: none"> <li>• Applies To = Wire/Cable</li> <li>• Glow Wire Rating = Standard Part - Not Glow Wire</li> </ul> <p><b>Operation/Application:</b></p> <ul style="list-style-type: none"> <li>• Application Use = Wire-to-Wire</li> </ul> <p><b>Packaging Features:</b></p> <ul style="list-style-type: none"> <li>• Packaging Method = Bag</li> </ul>

<p><b>Contact Type:</b></p> <ul style="list-style-type: none"> <li>Contact Layout = In-Line</li> <li>Shunts/Shorting Bars = Without</li> <li>Multiple Contact Types = Without</li> </ul> <p><b>Housing Features:</b></p> <ul style="list-style-type: none"> <li>Connector Style = Plug</li> <li>Housing Material = Nylon 6/6</li> <li>Housing Color = Natural</li> <li>Mating Alignment = With</li> <li>Mating Alignment Type = Chamfered Edges</li> <li>Centerline (mm [in]) = 4.14 [0.163]</li> <li>UL Flammability Rating = UL 94V-2</li> </ul>	<ul style="list-style-type: none"> <li>Packaging Quantity = 500</li> </ul> <p><b>Other:</b></p> <ul style="list-style-type: none"> <li>Brand = AMP</li> </ul>
--	---

**Corporate Information**

- [About TE](#)
- [Investors](#)
- [News Room](#)
- [Supplier Portal](#)
- [Careers](#)
- [Terms & Conditions](#)
- [Privacy Policy](#)

**Quick Links**

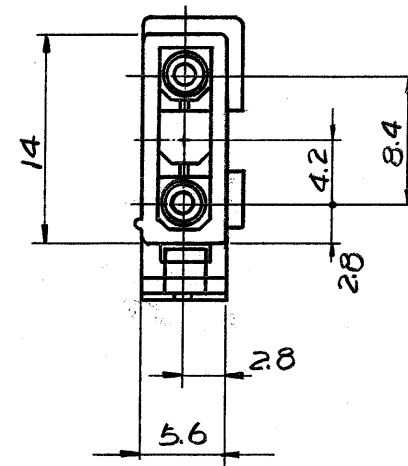
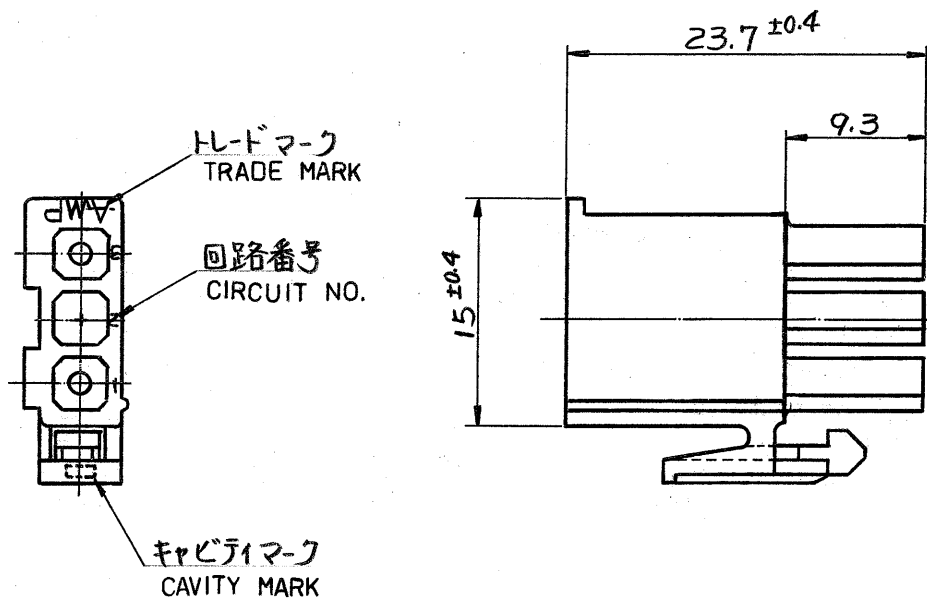
- [Distributor Inventory](#)
- [Product Cross Reference](#)
- [Documents & Drawings](#)
- [Product Compliance Support Center](#)
- [Site Map](#)

**Customer Support**

- [Email or Chat With Us](#)
- [Find a Phone Number](#)
- [Knowledge Base](#)
- [Manage Your Account](#)

**Keep Me Informed**





注;

1. 使用端子型番は. 170359, 170360, 170361, 170362
2. 嵌合相手ハウジング型番は. 172329.
3. 取扱説明書 : IS-105J
4. 通用製品仕様書 : 108-5151

NOTES:

- 1, APPLIED CONTACT P/N : 170359,170360,170361,170362
  - 2, MATING CONN : CAP HOUSING P/N 172329
  - 3, INSTRUCTION SHEET : IS - 105J
  - 4, PRODUCT SPEC : 108 - 5151
- △ OBSOLETE PARTS' OBSOLETE CIS STREAMLINING PER D.RENAUD/D.SINSI

△ OBSOLETE	黄 (YELLOW)	1-172337-4
	黒 (BLACK)	1-172337-9
△ OBSOLETE	青 (BLUE)	1-172337-6
	緑 (GREEN)	1-172337-5
	赤 (RED)	1-172337-2
	自然色 (NATURAL)	172337-1
	色 (COLOR)	型番 (P/N)

材料 (MATERIAL) 6/6 ナイロン (UL94V-2) (NYLON 6/6 UL94V-2)	一般公差 TOLERANCE ± 0.3 EXCEPT ± 1° AS NOTED	<b>STE</b> TE Connectivity	
仕上 (FINISH) 色; 表参照 HOUSING: SEE TABLE COLOR	DR. <i>K. Yasuoka</i> CHK. <i>T. Taniguchi</i> DE. <i>4/21/81</i> APP.	名称 (NAME) MINI-UNIVERSAL MATE-N-LOK CONN PLUG HOUSING 3Pos.(UL94V-2) 3極 ミニユニバーサル マテNロック コネクタ プラグハウジング (UL94V-2)	
		SIZE B	LOC J
		番号 (NO.) C-172337	
		尺度 (SCALE) 2:1	REV. A4 SHEET #

単位: 概 DIMENSIONS IN MM, DO NOT SCALE PRINT

A4	REVISED PER ECO-11-005030	RK	HMR	25MAR11
LTR.	変更 (REVISION RECORD)	DR.	CHK.	DATE