



Have a Question?
 Chat with a Product Information Specialist

What can we help you find?

[Products](#) |
 [Industries](#) |
 [Resources](#) |
 [About TE](#) |
 [My Account](#) |
 [Innovation](#) |
 [Support Center](#)

172339-1 Product Details

[Share](#) |
 [Print](#) |
 [Email](#)



172339-1

TE Internal Number: 172339-1

Active

View 3D PDF

.163" Centerline, 600 V, 9.5 A max.

Always EU RoHS/ELV Compliant (Statement of Compliance)

Product Highlights:

- Mini-Universal MATE-N-LOK Product Line
- Wire-to-Wire
- Applies To Wire/Cable
- Connector
- Glow Wire Rating = Standard Part - Not Glow Wire

[View all Features](#)

Quick Links

- ▶ [Pricing & Availability](#)
- ▶ [Search for Tooling](#)
- ▶ [View Mating Products \(1\)](#)
- ▶ [View Contacts \(85\)](#)
- ▶ [Product Feature Selector](#)
- ▶ [Contact Us About This Product](#)

[Add to My Part List](#) |
 [Request Sample](#) |
 [Find Similar Products](#) |
 [Buy Product](#)

Documentation & Additional Information	
<p>Product Drawings:</p> <ul style="list-style-type: none"> • MINI UNIVERSAL MATE-N-LOK PLUG HOUSING 6Pos.(UL94V-2) (PDF, English) <p>Catalog Pages/Data Sheets:</p> <ul style="list-style-type: none"> • 1-1773458-0_MINI_UNIVERSAL_MATE_N_LOK_CONNECTOR_SYST... (PDF, English) • SOFT_SHELL_PIN_AND_SOCKET_CONNECTORS_CATALOG (PDF, English) <p>Product Specifications:</p> <ul style="list-style-type: none"> • Mini-Universal MATE-N-LOK* Connector (PDF, English) • Mini-Universal MATE-N-LOK Connector(UL 94V-2) (PDF, English) <p>Application Specifications:</p> <ul style="list-style-type: none"> • Mini-Universal MATE-N-LOK Connectors (PDF, English) <p>Instruction Sheets:</p> <ul style="list-style-type: none"> • Mini-Universal MATE-N-LOK Connectors (PDF, English) <p>CAD Files: (CAD Format & Compression Information)</p> <ul style="list-style-type: none"> • 2D Drawing (DXF, Version A1) • 3D Model (IGES, Version A1) • 3D Model (STEP, Version A1) 	<p>Additional Information:</p> <ul style="list-style-type: none"> • Product Line Information <p>Related Products:</p> <ul style="list-style-type: none"> • Tooling • Mating Products (1) • Contacts (85)

[List all Documents](#)

Product Features (Please use the Product Drawing for all design activity)	
<p>Product Type Features:</p> <ul style="list-style-type: none"> • Product Line = Mini-Universal MATE-N-LOK • Product Type = Connector • Connector Type = Housing • PCB Mount Retention = Without • Sealed = No • Strain Relief = Without • UL File Number = E28476 • CSA File Number = LR 7189 <p>Mechanical Attachment:</p> <ul style="list-style-type: none"> • Contact Retention = Without • Mating Retention Type = Locking Latch • Panel Mount Retention = Without <p>Electrical Characteristics:</p> <ul style="list-style-type: none"> • Operating Voltage Reference = AC/DC • Operating Voltage (VAC) = 600 • Operating Voltage (VDC) = 600 <p>Body Features:</p> <ul style="list-style-type: none"> • Used With = Mini-Universal MATE-N-LOK Cap Housing • Mating Retention = With • Row-to-Row Spacing (mm [in]) = 4.14 [0.163] 	<p>Configuration Features:</p> <ul style="list-style-type: none"> • Number of Rows = 2 • Number of Positions = 6 <p>Industry Standards:</p> <ul style="list-style-type: none"> • RoHS/ELV Compliance = RoHS compliant, ELV compliant • Lead Free Solder Processes = Not relevant for lead free process • RoHS/ELV Compliance History = Always was RoHS compliant • VDE Tested = Yes • Agency/Standard = UL, CSA • UL Rating = Recognized • CSA Rating = Certified <p>Environmental:</p> <ul style="list-style-type: none"> • Operating Temperature (°C [°F]) = -20 - +105 [-4 - +221] <p>Conditions for Usage:</p> <ul style="list-style-type: none"> • Applies To = Wire/Cable • Glow Wire Rating = Standard Part - Not Glow Wire <p>Operation/Application:</p> <ul style="list-style-type: none"> • Application Use = Wire-to-Wire <p>Packaging Features:</p> <ul style="list-style-type: none"> • Packaging Method = Bag

- Assembly Integration Feature = Without

Contact Features:

- Contact Type = Socket
- Contact Layout = Dual Row
- Shunts/Shorting Bars = Without
- Multiple Contact Types = Without

Housing Features:

- Connector Style = Plug
- Housing Material = Nylon 6/6
- Housing Color = Natural
- Mating Alignment = With
- Mating Alignment Type = Chamfered Edges
- Centerline (mm [in]) = 4.14 [0.163]
- UL Flammability Rating = UL 94V-2

- Packaging Quantity = 500

Other:

- Brand = AMP

Corporate Information

- [About TE](#)
- [Investors](#)
- [News Room](#)
- [Supplier Portal](#)
- [Careers](#)
- [Terms & Conditions](#)
- [Privacy Policy](#)

Quick Links

- [Distributor Inventory](#)
- [Product Cross Reference](#)
- [Documents & Drawings](#)
- [Product Compliance Support Center](#)
- [Site Map](#)

Customer Support

- [Email or Chat With Us](#)
- [Find a Phone Number](#)
- [Knowledge Base](#)
- [Manage Your Account](#)

Keep Me Informed



THIS DRAWING IS UNPUBLISHED.

RELEASED FOR PUBLICATION

ALL RIGHTS RESERVED.

© COPYRIGHT - By -

LOC

DIST

REVISIONS

変更

DESCRIPTION

DATE

DWN

APVD

J

-

P

LTR

B1 REVISED PER ECO-11-005030

11MAR11

RK

HMR

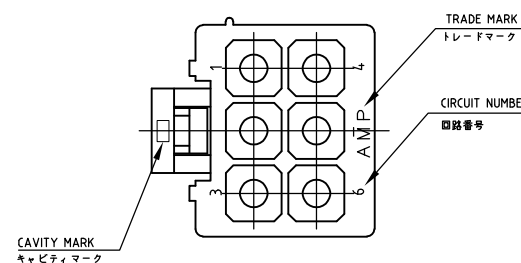
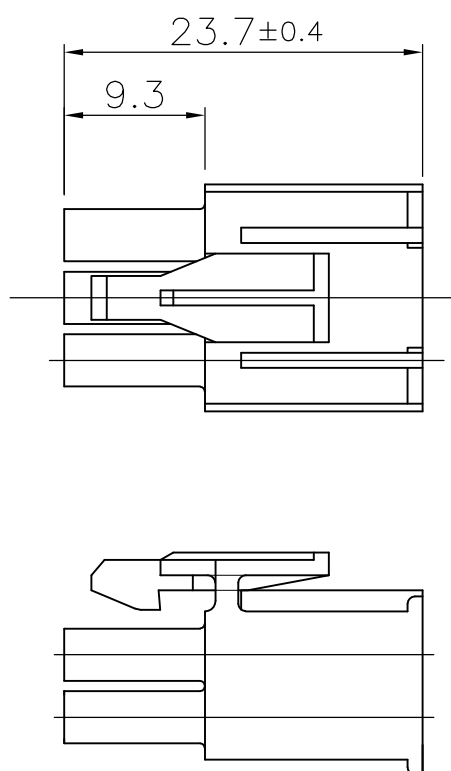
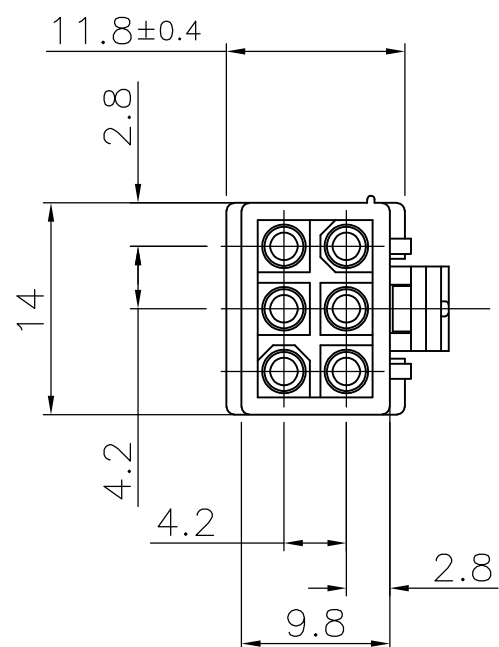


表 1 TABLE 1

TRADE MARK	MANUFACTURING PLACE
-AMP OR AMP	JAPAN
+AMP OR AMP	CHINA(PRC)

NOTE)

1. APPLIED CONTACT P/N:170359,170360,170361,170362
2. MATING CONN. :CAP HOUSING P/N:172331
3. INSTRUCTION SHEET :IS-105J
4. PRODUCT SPEC :108-5151


△表 1参照

注記)

1. 使用端子親型番は 170359,170360,170361,170362
2. 嵌合相手キャップハウジング型番は 172331-0
3. 取扱説明書 :IS-105J
4. 製品規格:108-5151

△表 1参照

黒色 (BLACK)	1-172339-9
青色 (BLUE)	1-172339-6
緑色 (GREEN)	1-172339-5
黄色 (YELLOW)	1-172339-4
赤色 (RED)	1-172339-2
自然色 (NATURAL)	172339-1
色 (COLOR)	製品型番(PART NO.)

THIS DRAWING IS A CONTROLLED DOCUMENT.		DWN A.OISHI 13 JUN. '02	 TE Connectivity NAME 名称 MINI UNIVERSAL MATE-N-LOK PLUG HOUSING 6Pos.(UL94V-2) 6極ミニ・ユニバーサル メイテンロック コネクタ プラグハウジング					
DIMENSIONS: 単位: 耗 mm		CHK M.SHINDO 13 JUN. '02				APVD M.SHINDO 13 JUN. '02	SIZE	CAGE CODE
TOLERANCES UNLESS OTHERWISE SPECIFIED: 一般公差		PRODUCT SPEC 製品規格 108-5151				APPLICATION SPEC 取付適用規格 -	DRAWING NO 番号 A300779	RESTRICTED TO
MATERIAL 材料 66NYLON(UL94V-2)		FINISH 仕上 -				WEIGHT -	SCALE 尺度 2:1	SHEET 1 OF 1
0 PLC ± 0.3 1 PLC ± 0.3 2 PLC ± 0.3 3 PLC ± 0.3 4 PLC ± 0.3 ANGLES ± 1°		CUSTOMER DRAWING			REV B1			