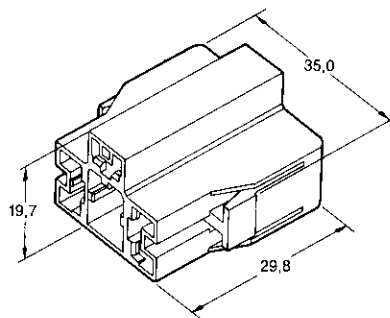
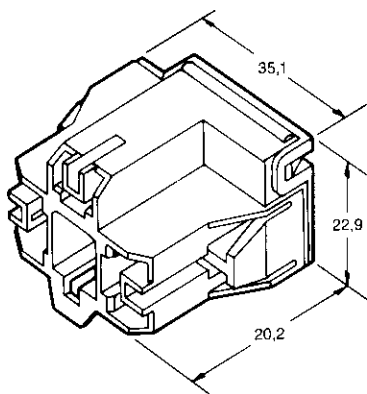
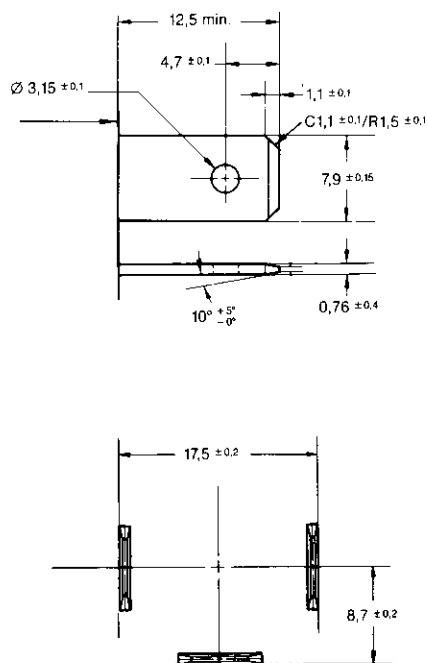


**Buchsengehäuse,
3polig****Material:**
66 Nylon**Buchsengehäuse**Best.-Nr. **172236-1** (natur)
Best.-Nr. **172236-2** (schwarz)
Best.-Nr. **172236-3** (braun)
Best.-Nr. **172236-5** (blau)**Einsetzbarer Kontakt**Best.-Nr. **170381-1** (3 x)**Buchsengehäuse
(Fahnenausführung)**Best.-Nr. **172615-1** (natur)
Best.-Nr. **172615-2** (schwarz)
Best.-Nr. **172615-3** (braun)
Best.-Nr. **172615-4** (grün)
Best.-Nr. **172615-5** (blau)**Einsetzbare Kontakte**Best.-Nr. **172795-1** (2 x)
Best.-Nr. **172796-1** (1 x)**Abmessungen,
3polig****Receptacle Housing,
3 Positions****Material:**
66 Nylon**Receptacle Housing**Part No. **172236-1** (natural)
Part No. **172236-2** (black)
Part No. **172236-3** (brown)
Part No. **172236-5** (blue)**Applicable Contact**Part No. **170381-1** (3 x)**Receptacle Housing
(Flag Type)**Part No. **172615-1** (natural)
Part No. **172615-2** (black)
Part No. **172615-3** (brown)
Part No. **172615-4** (green)
Part No. **172615-5** (blue)**Applicable Contacts**Part No. **172795-1** (2 x)
Part No. **172796-1** (1 x)**Dimensions,
3 Positions**