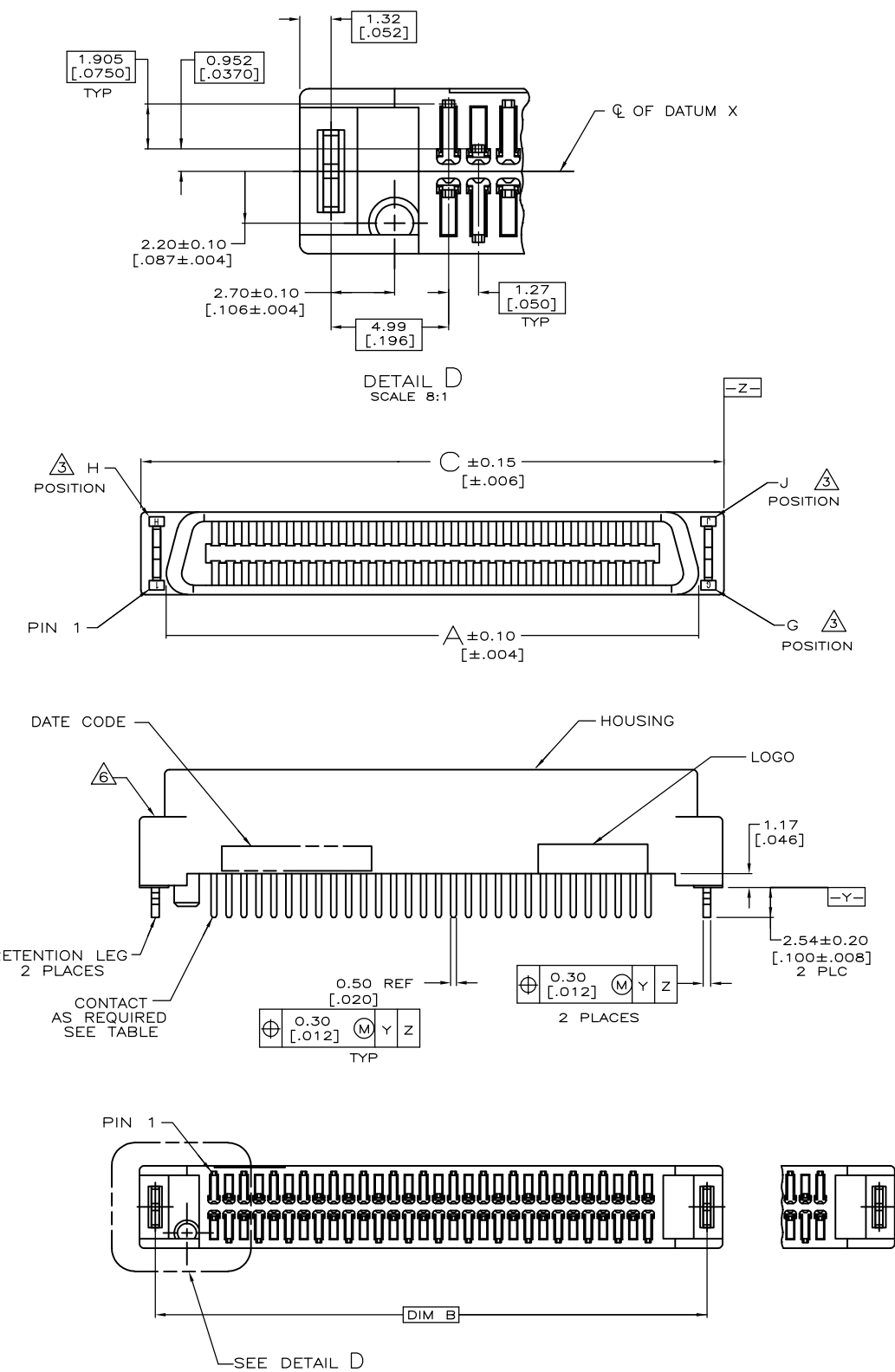
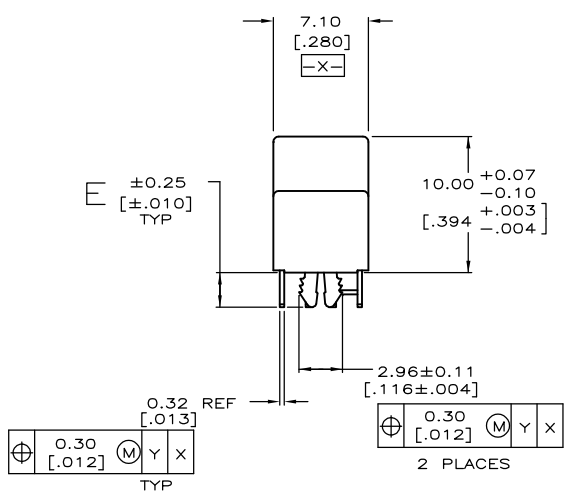


THIS DRAWING IS UNPUBLISHED. RELEASED FOR PUBLICATION
 © COPYRIGHT - By - ALL RIGHTS RESERVED.

LOC	DIST	REVISIONS					
		P	LTR	DESCRIPTION	DATE	DWN	APVD
DW	/		D4	REVISED PER ECO-14-007405	19MAY2014	BL	JY



NOTE:
 1. MATERIAL:
 HOUSING: LCP, MOLDING COMPOUND, UL 94V-0, BLACK COLOR.
 CONTACTS: PHOSPHOR BRONZE.
 BOARDLOCKS: BRASS.
 2. FINISH:
 CONTACTS: (SEE TABLE) GOLD PLATED ON CONTACT AREA,
 3.81µm [150µ"] MIN. MATTE-TIN ON SOLDERTAIL,
 1.27µm [50µ"] MIN. NICKEL UNDERPLATED OVERALL.
 BOARDLOCKS: 3.81µm [150µ"] MIN. TIN-Cu OVER
 1.27µm [50µ"] MIN. UNDERPLATED.
 △ G, J, H INDICATE NUMBER OF POSITION MARKED ON ASSEMBLY.
 ALSO SEE TABLE.
 △ ALL DIMENSIONS SHOWN ARE MAXIMUM UNLESS OTHERWISE SPECIFIED.
 △ RETENTION LEGS NOT PRESENT.
 △ TOP OF RETENTION LEG MAY NOT PROTRUDE ABOVE THIS SURFACE.
 △ HOUSING BOW UP TO 0.30 [0.012] ALLOWED.
 8. 60 POSITION AS SHOWN.
 9. WAVE SOLDER CAPABLE TO 265°C PER TEST SPEC.
 109-202, CONDITION B.
 △ GOLD FLASH OVER
 0.762µm [30µ"] MIN. PALLADIUM-NICKEL PLATED.



PCB THICKNESS	E	C	B	A	G	J	H	CONTACT PLATED	PART NUMBER	POS.
0.80-1.60 [0.031-0.063]	2.54 [0.100]	125.65 [4.947]	123.01 [4.843]	121.37 [4.778]	90	180	91	GOLD FLASH	5-1734100-8	180
0.80-1.60 [0.031-0.063]	2.54 [0.100]	112.95 [4.447]	110.31 [4.343]	108.67 [4.278]	80	160	81	GOLD FLASH	5-1734100-6	160
0.80-1.60 [0.031-0.063]	2.54 [0.100]	93.90 [3.697]	91.26 [3.593]	89.62 [3.528]	65	130	66	GOLD FLASH	5-1734100-3	130
0.80-1.60 [0.031-0.063]	2.54 [0.100]	87.55 [3.447]	84.91 [3.343]	83.27 [3.278]	60	120	61	GOLD FLASH	5-1734100-2	120
0.80-1.60 [0.031-0.063]	2.54 [0.100]	74.85 [2.947]	72.21 [2.843]	70.57 [2.778]	50	100	51	GOLD FLASH	5-1734100-1	100
0.80-1.60 [0.031-0.063]	2.54 [0.100]	74.85 [2.947]	72.21 [2.843]	70.57 [2.778]	50	100	51	GOLD FLASH	5-1734100-0	100
0.80-1.60 [0.031-0.063]	2.54 [0.100]	62.15 [2.447]	59.51 [2.343]	57.87 [2.278]	40	80	41	GOLD FLASH	4-1734100-9	80
0.80-1.60 [0.031-0.063]	2.54 [0.100]	62.15 [2.447]	59.51 [2.343]	57.87 [2.278]	40	80	41	GOLD FLASH	4-1734100-8	80
0.80-1.60 [0.031-0.063]	2.54 [0.100]	54.53 [2.147]	51.89 [2.043]	50.25 [1.978]	34	68	35	GOLD FLASH	4-1734100-7	68
0.80-1.60 [0.031-0.063]	2.54 [0.100]	49.45 [1.947]	46.81 [1.843]	45.17 [1.778]	30	60	31	GOLD FLASH	4-1734100-6	60
0.80-1.60 [0.031-0.063]	2.54 [0.100]	43.10 [1.697]	40.46 [1.593]	38.82 [1.528]	25	50	26	GOLD FLASH	4-1734100-9	50
0.80-1.60 [0.031-0.063]	2.54 [0.100]	43.10 [1.697]	40.46 [1.593]	38.82 [1.528]	25	50	26	GOLD FLASH	4-1734100-5	50
0.80-1.60 [0.031-0.063]	2.54 [0.100]	36.75 [1.447]	34.11 [1.343]	32.47 [1.278]	20	40	21	GOLD FLASH	4-1734100-4	40
0.80-1.60 [0.031-0.063]	2.54 [0.100]	30.40 [1.197]	27.76 [1.093]	26.12 [1.025]	15	30	16	GOLD FLASH	4-1734100-3	30
2.08 [0.082]	3.17 [0.125]	24.05 [0.947]	21.41 [0.843]	19.77 [0.778]	10	20	11	GOLD FLASH	4-1734100-2	20

THIS DRAWING IS A CONTROLLED DOCUMENT.

DWN	F. YANG	31MAR2009
CHK	S. CHIEN	31MAR2009
APVD	W. KODAMA	31MAR2009

NAME: PLUG ASSEMBLY, VERTICAL BOARD-TO-BOARD, CHAMP .050, SERIES I

PRODUCT SPEC: 108-57876

APPLICATION SPEC: -

WEIGHT: -

CUSTOMER DRAWING

SCALE: -

SHEET: 1 OF 4

REV: D4

RESTRICTED TO: -

THIS DRAWING IS UNPUBLISHED.

RELEASED FOR PUBLICATION

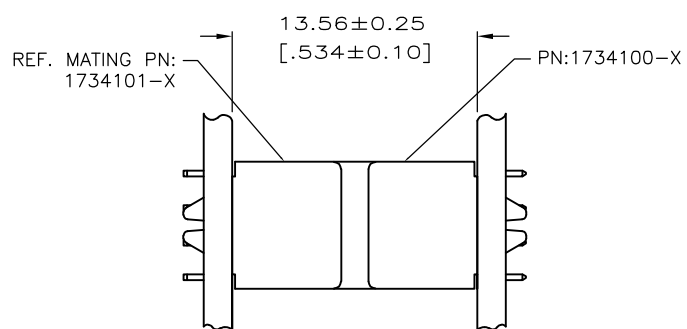
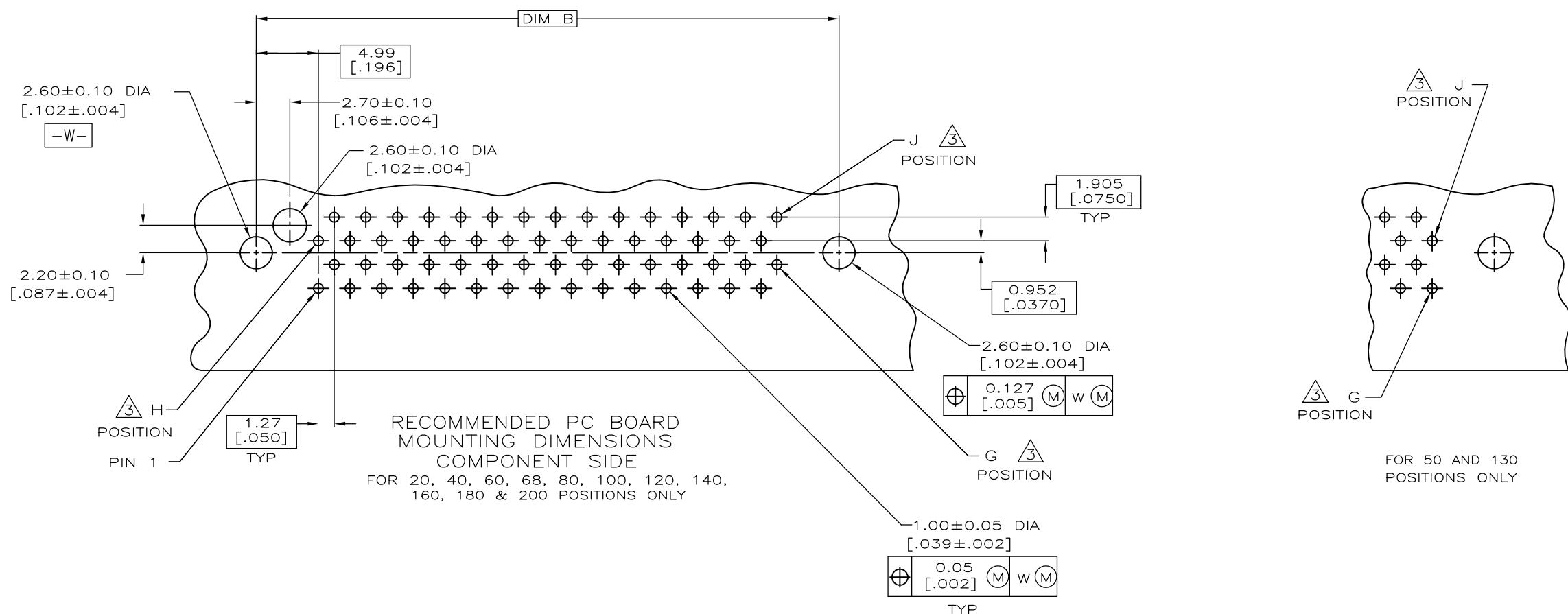
ALL RIGHTS RESERVED.

© COPYRIGHT - By -

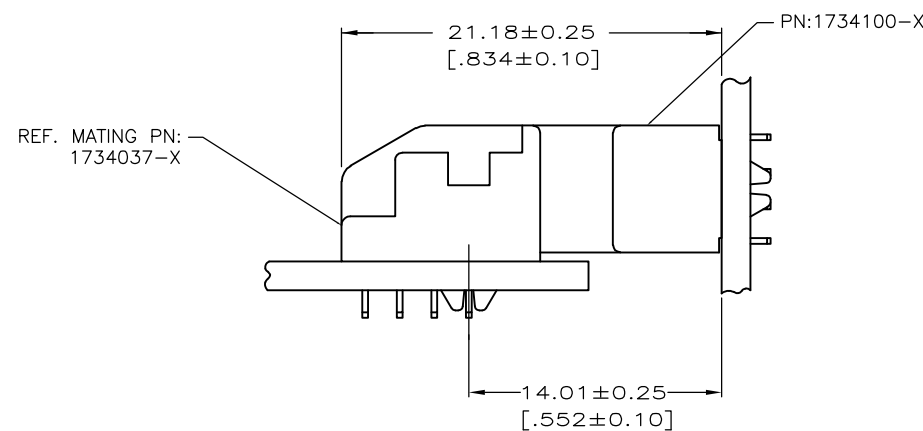
LOC DW DIST

REVISIONS

P	LTR	DESCRIPTION	DATE	DWN	APVD
-	-	SEE SHEET 1	-	-	-



VERTICAL PLUG ASSEMBLY MATED TO VERTICAL RECEPTACLE ASSEMBLY

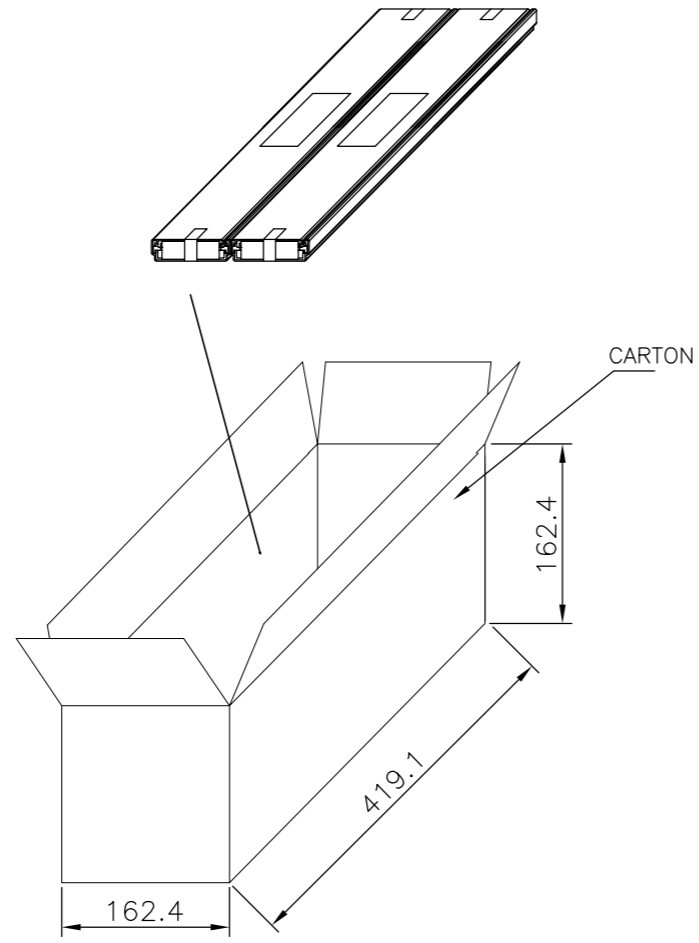
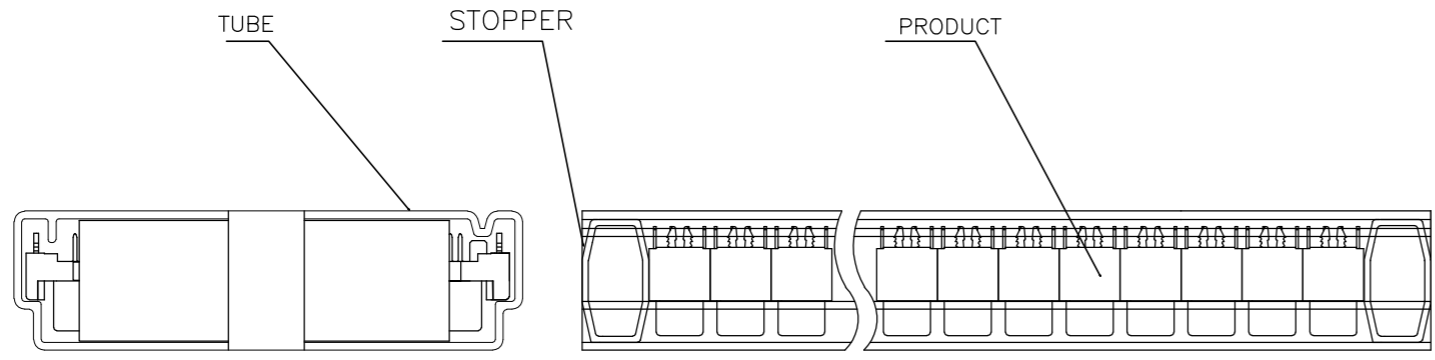


VERTICAL PLUG ASSEMBLY MATED TO RIGHT ANGLE RECEPTACLE ASSEMBLY

THIS DRAWING IS A CONTROLLED DOCUMENT.		DWN	-		
DIMENSIONS: mm		CHK	-		
TOLERANCES UNLESS OTHERWISE SPECIFIED:		APVD	-		
0 PLC ± -		PRODUCT SPEC	-		
1 PLC ± -		APPLICATION SPEC	-		
2 PLC ± -		WEIGHT	-		
3 PLC ± -		STE TE Connectivity			
4 PLC ± -		NAME			
ANGLES ± -		PLUG ASSEMBLY, VERTICAL BOARD-TO-BOARD, CHAMP .050, SERIES I			
FINISH		SIZE	CAGE CODE	DRAWING NO	RESTRICTED TO
-		A3	00779	C-1734100	-
MATERIAL		CUSTOMER DRAWING		SCALE	SHEET 2 OF 4
-		-		REV	D4

THIS DRAWING IS UNPUBLISHED. RELEASED FOR PUBLICATION
 © COPYRIGHT - By - ALL RIGHTS RESERVED.

LOC	DIST	REVISIONS				
P	LTR	DESCRIPTION	DATE	DWN	APVD	
	-	SEE SHEET 1	-	-	-	

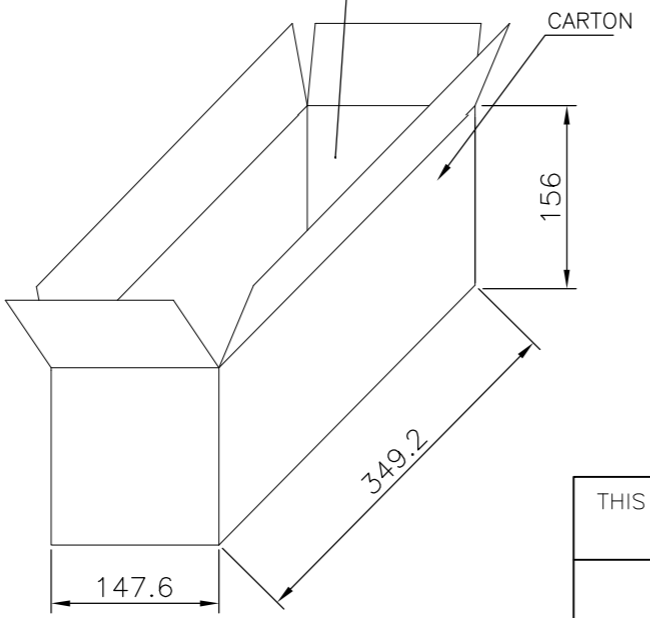
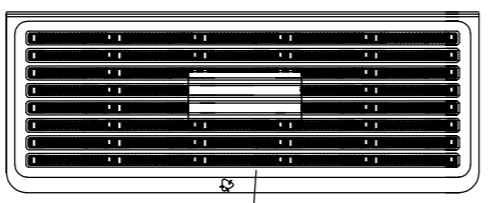
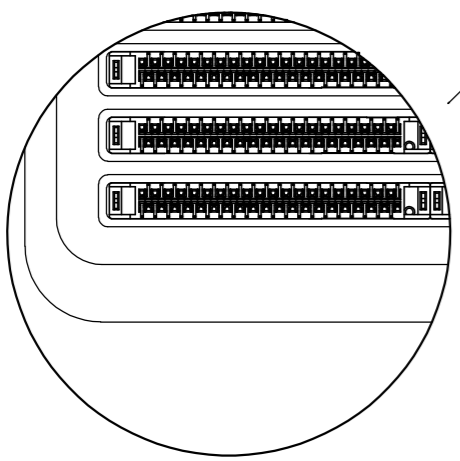
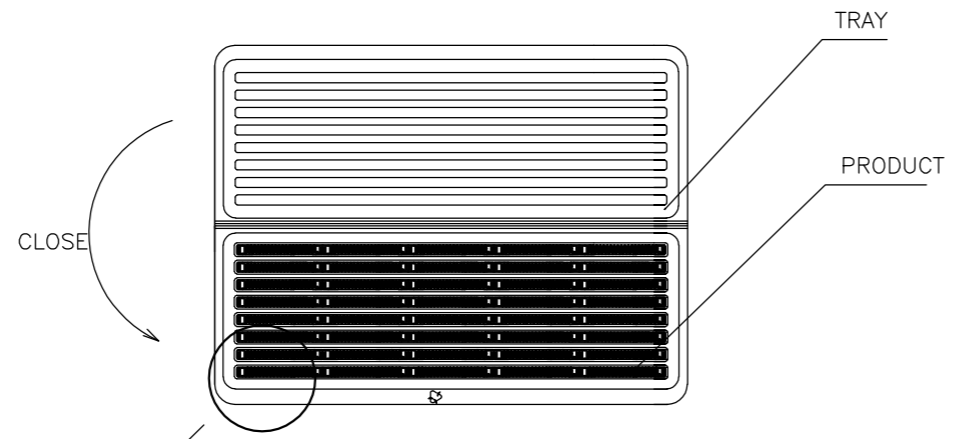


	G.W./CARTON	N.W./CARTON	PCS/TUBE	TUBES/CARTON	QUANTITY/CARTON (PCS)	PART NUMBER	POS.
OBSOLETE	4.88	3.42	54	8	432	5-1734100-2	120
						3-1734100-2	
						1-1734100-2	
OBSOLETE	7.70	5.58	54	16	864	5-1734100-0	100
						3-1734100-0	
						1-1734100-0	
OBSOLETE	5.28	3.80	54	16	864	4-1734100-9	80
						2-1734100-9	
						1734100-9	
OBSOLETE	5.38	3.90	54	16	864	4-1734100-8	68
						2-1734100-8	
						1734100-8	
OBSOLETE	4.76	3.37	54	16	864	4-1734100-7	60
						2-1734100-7	
						1734100-7	
OBSOLETE	4.36	3.11	54	16	864	4-1734100-6	50
						2-1734100-6	
						1734100-6	
OBSOLETE	5.72	4.08	54	24	1296	5-1734100-9	40
						3-1734100-9	
						1-1734100-9	
OBSOLETE	5.70	4.07	54	24	1296	4-1734100-5	30
						2-1734100-5	
						1734100-5	
OBSOLETE	4.77	3.50	54	24	1296	4-1734100-4	-
						2-1734100-4	
						1734100-4	
OBSOLETE	4.46	3.03	54	24	1296	4-1734100-3	-
						2-1734100-3	
						1734100-3	

THIS DRAWING IS A CONTROLLED DOCUMENT.		DWN	TE Connectivity		
DIMENSIONS: mm		CHK	NAME		
TOLERANCES UNLESS OTHERWISE SPECIFIED:		APVD	PLUG ASSEMBLY, VERTICAL BOARD-TO-BOARD, CHAMP .050, SERIES I		
0 PLC ± - 1 PLC ± - 2 PLC ± - 3 PLC ± - 4 PLC ± - ANGLES ± -		PRODUCT SPEC	SIZE	CAGE CODE	DRAWING NO
MATERIAL		APPLICATION SPEC	A3	00779	C-1734100
FINISH		WEIGHT	RESTRICTED TO		
		CUSTOMER DRAWING	SCALE	SHEET	REV
			-	3 OF 4	D4

THIS DRAWING IS UNPUBLISHED. RELEASED FOR PUBLICATION
 © COPYRIGHT - By - ALL RIGHTS RESERVED.

LOC	DIST	REVISIONS				
P	LTR	DESCRIPTION	DATE	DWN	APVD	
	-	SEE SHEET 1	-	-	-	



D2 OBSOLETE	G.W./CARTON (KG)	N.W./CARTON (KG)	PCS/TRAY	TRAYS/CARTON	QUANTITY/CARTON (PCS)	PART NUMBER		POS.
						5-1734100-8	3-1734100-8	
	2.85	1.97	16	10	160	5-1734100-6	3-1734100-6	180
	2.62	1.73	16	10	160	1-1734100-6		160

THIS DRAWING IS A CONTROLLED DOCUMENT.

DIMENSIONS: mm	TOLERANCES UNLESS OTHERWISE SPECIFIED:	DWN	TE Connectivity			
0 PLC ± - 1 PLC ± - 2 PLC ± - 3 PLC ± - 4 PLC ± - ANGLES ± -	FINISH	CHK	NAME			
MATERIAL		APVD	PLUG ASSEMBLY, VERTICAL BOARD-TO-BOARD, CHAMP .050, SERIES I			
		PRODUCT SPEC	SIZE	CAGE CODE	DRAWING NO	RESTRICTED TO
		APPLICATION SPEC	A3	00779	C-1734100	
		WEIGHT	CUSTOMER DRAWING		SCALE	SHEET 4 OF 4
						REV D4