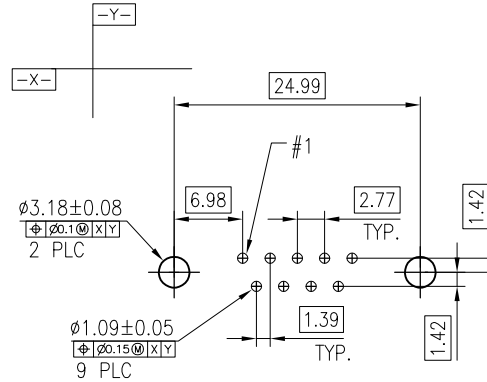
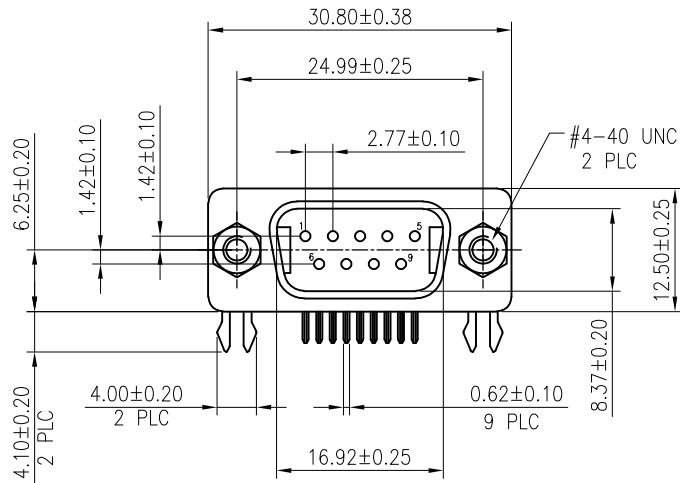


LOC DW  
DIST

REVISIONS

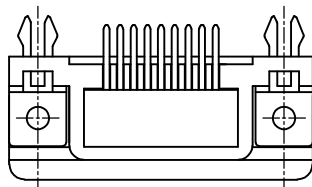
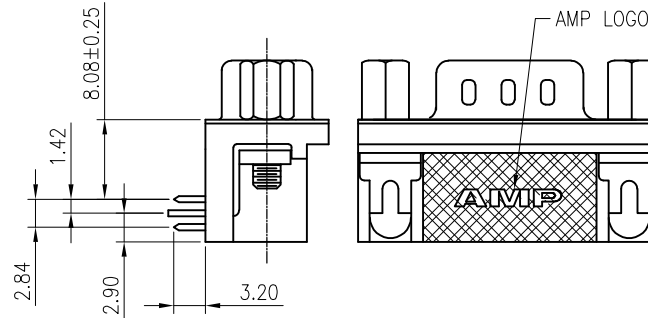
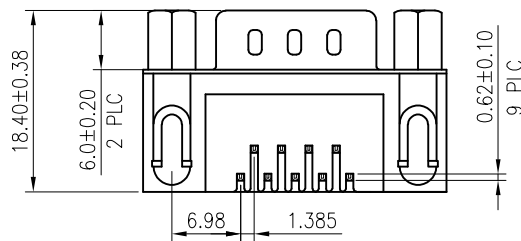
P	LTR	DESCRIPTION	DATE	DWN	APVD
	A1	REVISED PER ECO-11-005301	07MAR11	RK	HMR



RECOMMENDED P.C.B LAYOUT

NOTES:

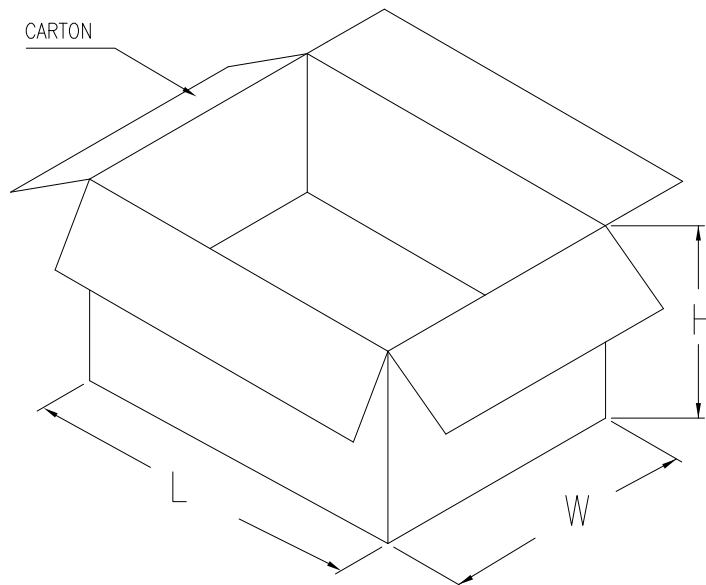
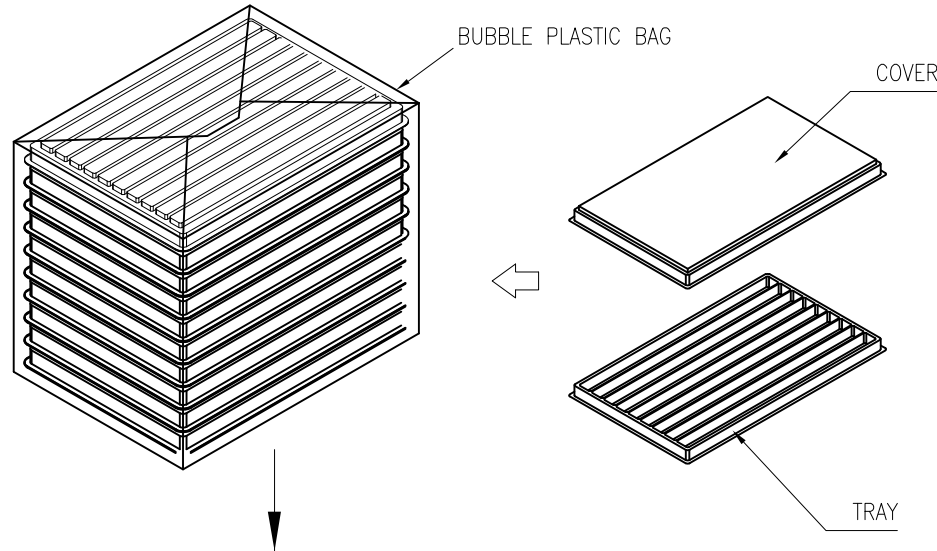
- MATERIAL :
  - HOUSING: THERMOPLASTIC, UL 94V-0 RATED, BLACK
  - CONTACTS: BRASS
  - SHELL: SPCC
  - BOARDLOCKS: BRASS.
  - RIVET: COPPER ALLOY
  - SCREWLOCKS: COPPER ALLOY BRASS, THREAD LENGTH OF SCREW: 6.0 MIN.
- FINISH:
  - CONTACT: GOLD PLATING ON CONTACT AREA. (SEE TABLE) 100µ" MIN. MATTE TIN PLATING ON SOLDER TAIL AREA, 50µ" MIN. NICKEL UNDERPLATING OVERALL,
  - BOARDLOCK: 100µ" MIN MATTE TIN PLATING 50µ" MIN NICKEL UNDERPLATING OVERALL,
  - SHELL: NICKEL PLATED
  - RIVET: NICKEL PLATING OVERALL
- RECOMMENDED PCB THICKNESS: 1.6 mm
- WAVE SOLDER CAPABLE TO 265°C PER TE CONNECTIVITY SPEC. 109-202, CONDITION B.
- THREADED INSERTS AND SCREWLOCKS MUST WITHSTAND 6 IN.-LBS TORQUE AND 20 LBS PUSH OUT FROM MATING FACE SIDE.



15 u"	1734351-2
G/F	1734351-1
GOLD PLATING	PART NUMBER

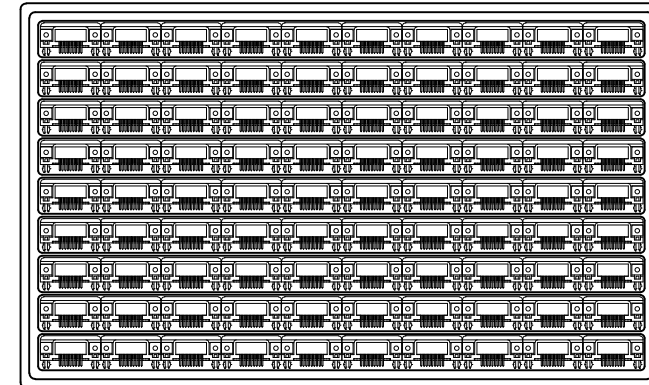
THIS DRAWING IS A CONTROLLED DOCUMENT.		DWN S_CHIEN 27NOV2008	TE Connectivity		
		CHK S_CHIEN 27NOV2008			
DIMENSIONS: MM		APVD W_KODAMA 27NOV2008	NAME		
TOLERANCES UNLESS OTHERWISE SPECIFIED: 0 PLC ± 0.5 1 PLC ± 0.25 2 PLC ± 0.2 3 PLC ± 0.1 4 PLC ± - ANGLES ± 3°		PRODUCT SPEC 108-57541	PLUG ASSEMBLY, 9 POSN, RIGHT ANGLE, 8.08mm SERIES, AMPLIMITE, WITH SCREWLOCKS		
MATERIAL SEE NOTE		QUALIFICATION TEST REPORT 501-57623	SIZE A3	CAGE CODE 00779	DRAWING NO C-1734351
		WEIGHT 9 GRAMS	RESTRICTED TO		
		CUSTOMER DRAWING	SCALE	SHEET 1 of 2	REV A1

P	LTR	DESCRIPTION	DATE	DWN	APVD
-	-	SEE SHEET 1.	-	-	-



NOTES:

- MATERIAL:
  - TRAY: PVC
  - SHIPPING CARTON: CORRUGATED FIBERBOARD
- DIMENSION:
  - TRAY: L=340, W=228, H=17.4
  - SHIPPING CARTON: L=440, W=321, H=150
- QUANTITY:
  - PRIMARY PACKING: 90 PCS/TRAY
  - SECONDARY PACKING: 11 TRAY/CARTON(990PCS)
- WEIGHT:
  - NET WEIGHT: 8.91 Kg (W/SCREWLOCK)
  - GROSS WEIGHT: 9.91 Kg (W/SCREWLOCK)



THIS DRAWING IS A CONTROLLED DOCUMENT.		DWN			
DIMENSIONS: MM		CHK			
TOLERANCES UNLESS OTHERWISE SPECIFIED:		APVD		NAME	
0 PLC ±		PRODUCT SPEC		PLUG ASSEMBLY, 9 POSN, RIGHT ANGLE, 8.08mm SERIES, AMPLIMITE, WITH SCREWLOCKS	
1 PLC ±		-		SIZE	
2 PLC ±		APPLICATION SPEC		CAGE CODE	
3 PLC ±		-		DRAWING NO	
4 PLC ±		WEIGHT		RESTRICTED TO	
ANGLES ±		-		A3 00779	
MATERIAL		CUSTOMER DRAWING		C=1734351	
FINISH		SCALE		SHEET 2 OF 2	
				REV A1	