

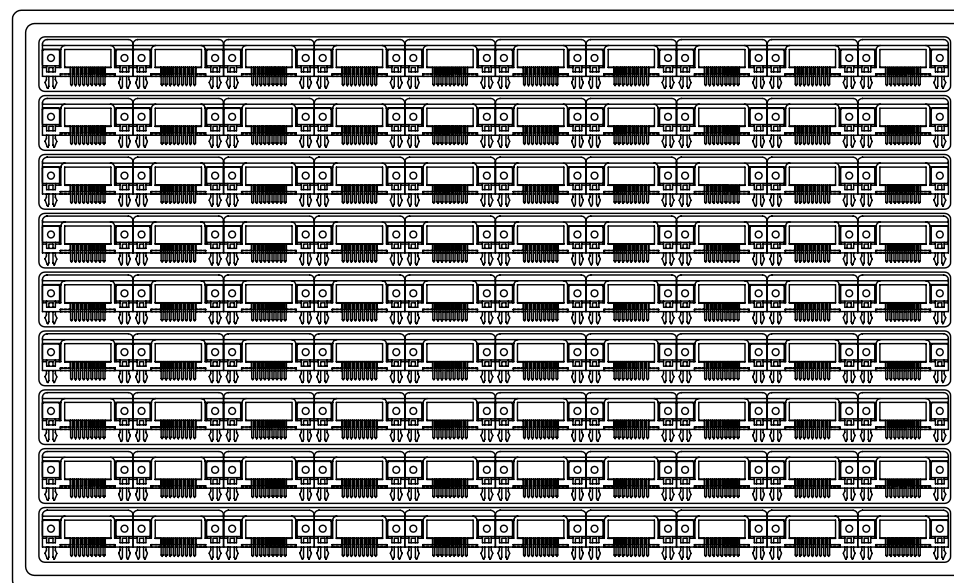
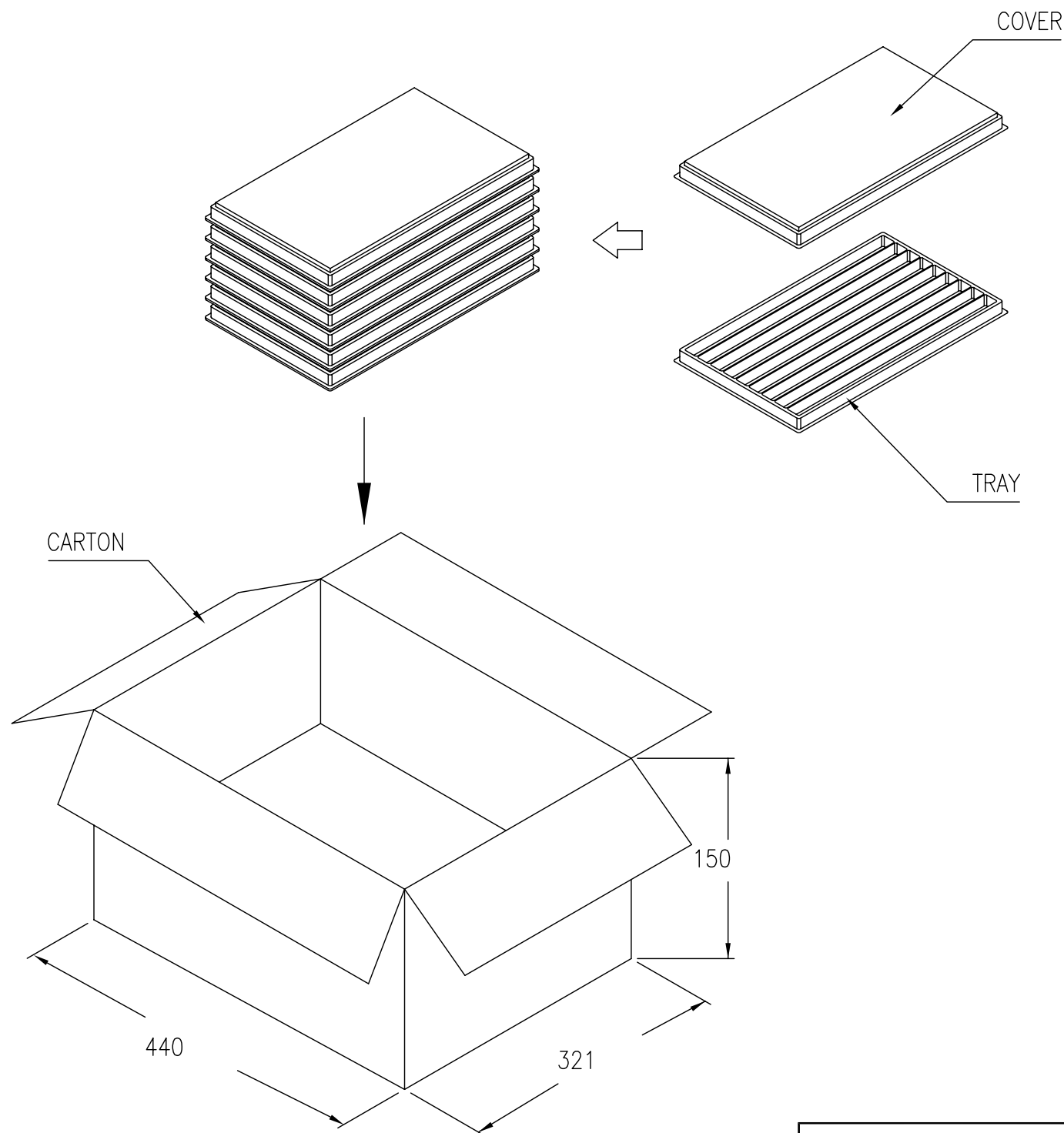


THIS DRAWING IS UNPUBLISHED. RELEASED FOR PUBLICATION AUG ,2006.  
 © COPYRIGHT BY TYCO ELECTRONICS CORPORATION. ALL RIGHTS RESERVED.

LOC	DIST	REVISIONS			
P	LTR	DESCRIPTION	DATE	DWN	APVD
		SEE SHEET 1.			

NOTES:

1. MATERIAL:
  - 1.1 TRAY: PVC
  - 1.2 SHIPPING CARTON: CORRUGATED FIBERBOARD
2. DIMENSION:
  - 2.1 TRAY: L=340, W=228, H=17.4
  - 2.2 SHIPPING CARTON: L=440, W=321, H=150
3. QUANTITY:
  - 3.1 PRIMARY PACKING: 90 PCS/TRAY
  - 3.2 SECONDARY PACKING: 11 TRAY/CARTON (990PCS)
4. CARTON WEIGHT:
  - 4.1 NET WEIGHT: 6.96 KG
  - 4.2 GROSS WEIGHT: 7.96 KG



THIS DRAWING IS A CONTROLLED DOCUMENT.		DWN		Tyco Electronics Corporation Taipei, Taiwan																							
DIMENSIONS: MM		TOLERANCES UNLESS OTHERWISE SPECIFIED:		NAME																							
<table border="1"> <tr><td>0 PLC</td><td>± -</td></tr> <tr><td>1 PLC</td><td>± -</td></tr> <tr><td>2 PLC</td><td>± -</td></tr> <tr><td>3 PLC</td><td>± -</td></tr> <tr><td>4 PLC</td><td>± -</td></tr> <tr><td>ANGLES</td><td>± -</td></tr> </table>		0 PLC	± -	1 PLC	± -	2 PLC	± -	3 PLC	± -	4 PLC	± -	ANGLES	± -	<table border="1"> <tr><td>CHK</td><td></td></tr> <tr><td>APVD</td><td></td></tr> <tr><td>PRODUCT SPEC</td><td></td></tr> <tr><td>APPLICATION SPEC</td><td></td></tr> <tr><td>WEIGHT</td><td></td></tr> </table>		CHK		APVD		PRODUCT SPEC		APPLICATION SPEC		WEIGHT		PLUG ASSEMBLY, 9 POSN, RIGHT ANGLE, 8.08mm[0.318in]	
0 PLC	± -																										
1 PLC	± -																										
2 PLC	± -																										
3 PLC	± -																										
4 PLC	± -																										
ANGLES	± -																										
CHK																											
APVD																											
PRODUCT SPEC																											
APPLICATION SPEC																											
WEIGHT																											
MATERIAL		FINISH		SIZE	RESTRICTED TO																						
				A3 00779																							
				C=1734352																							
CUSTOMER DRAWING				SCALE	REV																						
				—	A																						
				SHEET	2 of 3																						

THIS DRAWING IS UNPUBLISHED.

RELEASED FOR PUBLICATION

AUG ,2006.

© COPYRIGHT BY TYCO ELECTRONICS CORPORATION. ALL RIGHTS RESERVED.

LOC

DIST

REVISIONS

DW

P

LTR

DESCRIPTION

DATE

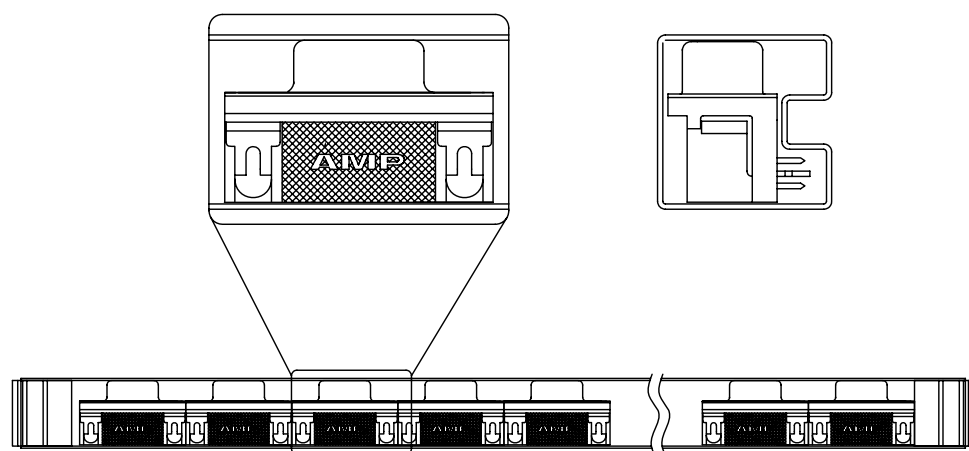
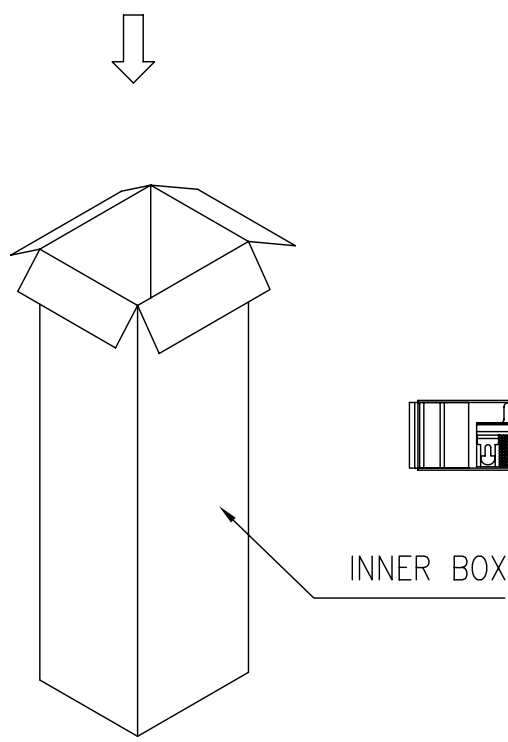
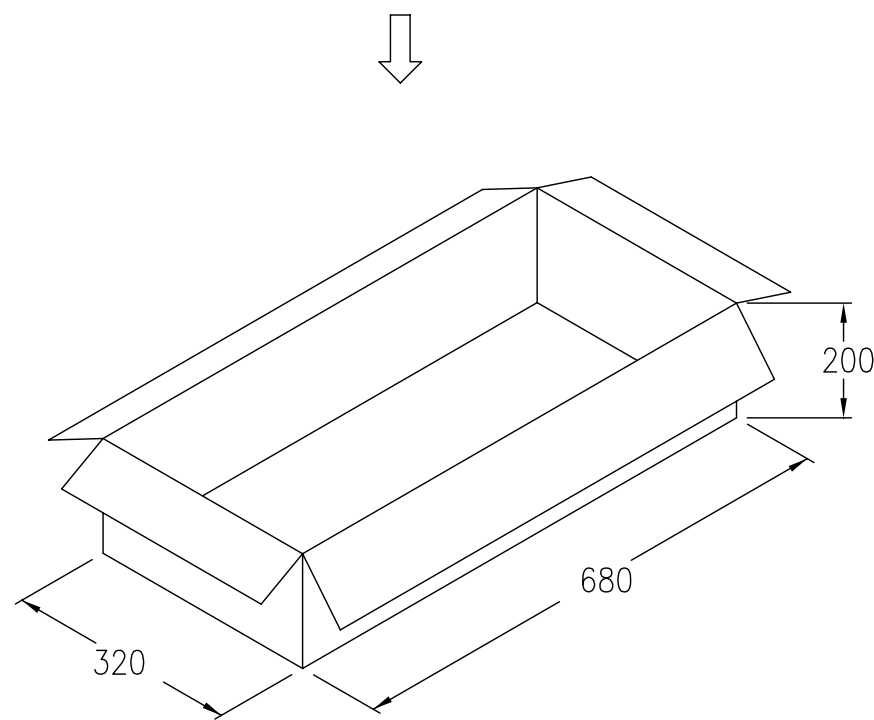
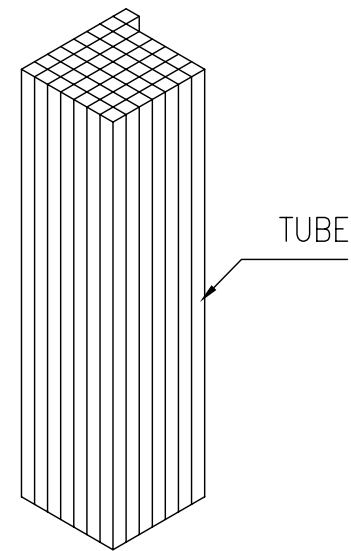
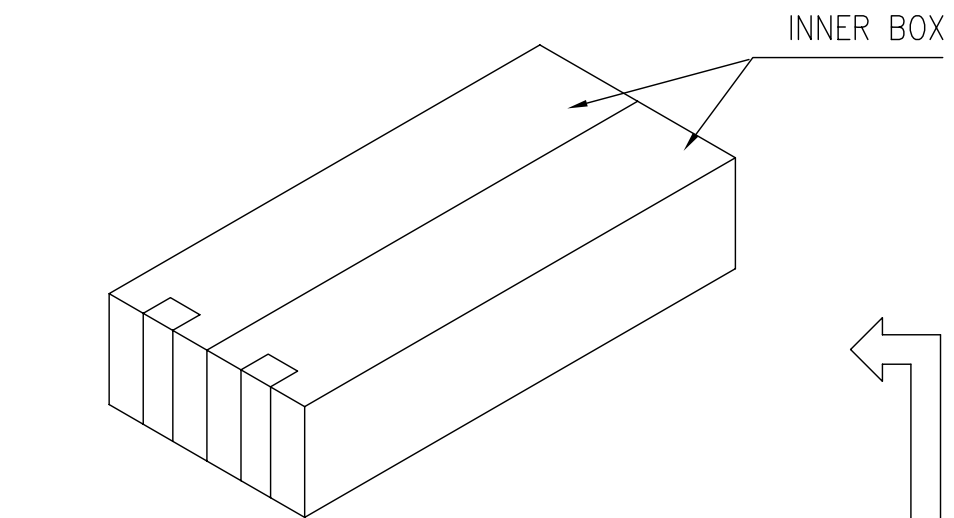
DWN

APVD

SEE SHEET 1.

NOTES:

- 1. MATERIAL:
  - 1.1 TUBE: PVC
  - 1.2 SHIPPING CARTON: CORRUGATED FIBERBOARD
- 2. DIMENSION:
  - 2.1 TUBE: L=650, W=18.8, H=18.6
  - 2.2 SHIPPING CARTON: L=680, W=320, H=200
- 3. QUANTITY:
  - 3.1 PRIMARY PACKING: 20 PCS/TUBE
  - 3.2 SECONDARY PACKING: 50 TUBE/BOX
  - 3.3 THIRD PACKING: 2 BOX/CARTON (2,000PCS)
- 4. CARTON WEIGHT:
  - 4.1 NET WEIGHT: 17.0 KG
  - 4.2 GROSS WEIGHT: 18.0 KG



THIS DRAWING IS A CONTROLLED DOCUMENT.		DWN		Tyco Electronics Corporation Taipei, Taiwan	
DIMENSIONS: MM		CHK		NAME	
TOLERANCES UNLESS OTHERWISE SPECIFIED:		APVD		PLUG ASSEMBLY, 9 POSN, RIGHT ANGLE, 8.08mm[0.318in]	
0 PLC ± -		PRODUCT SPEC		SIZE	
1 PLC ± -		APPLICATION SPEC		CAGE CODE	
2 PLC ± -		WEIGHT		DRAWING NO	
3 PLC ± -		CUSTOMER DRAWING		RESTRICTED TO	
4 PLC ± -		SCALE		SHEET	
ANGLES ± -		—		3 of 3	
MATERIAL		—		REV	
FINISH		—		A	