

THIS DRAWING IS UNPUBLISHED. RELEASED FOR PUBLICATION  
 © COPYRIGHT 2010 BY TYCO ELECTRONICS CORPORATION. ALL RIGHTS RESERVED.

LOC	DIST	REVISIONS					
DW		P	LTR	DESCRIPTION	DATE	DWN	APVD
			C4	REVISED (ECR-11-005224, ADD PN 5-1734577-4)	11MAR'11	E.L.	W.K.

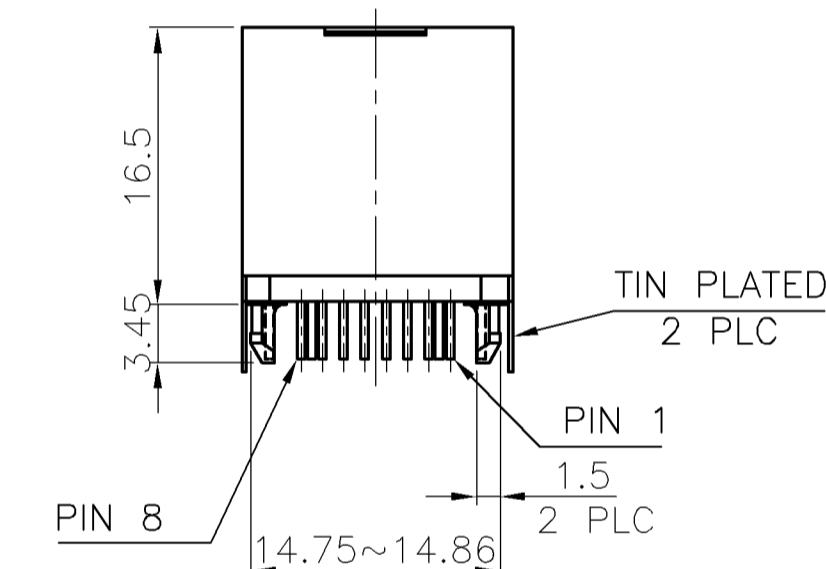
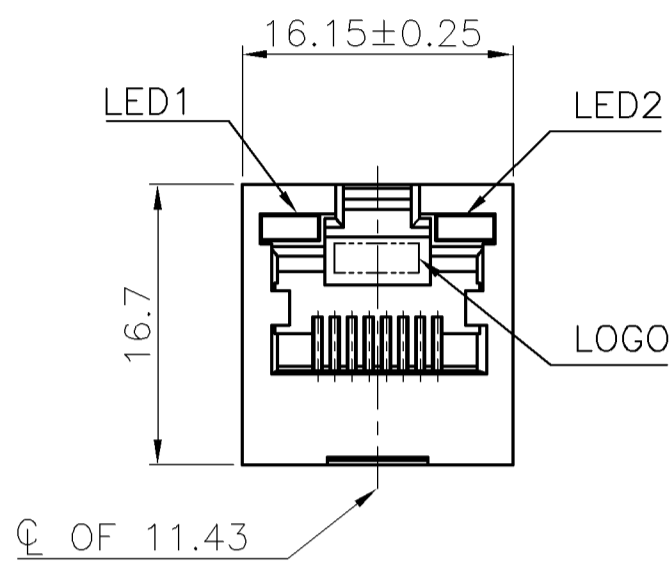
LED SCHEMATIC	
LED1	LED2
GREEN	YELLOW
9-  +10	11-  +12
FOR 1734577-X	

LED SCHEMATIC	
LED1	LED2
GREEN	GREEN
9-  +10	11-  +12
FOR 1-1734577-X	

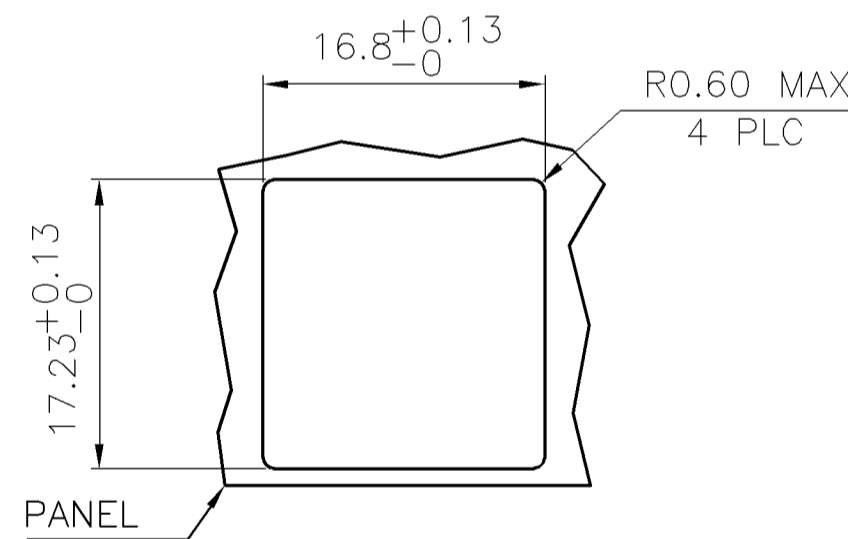
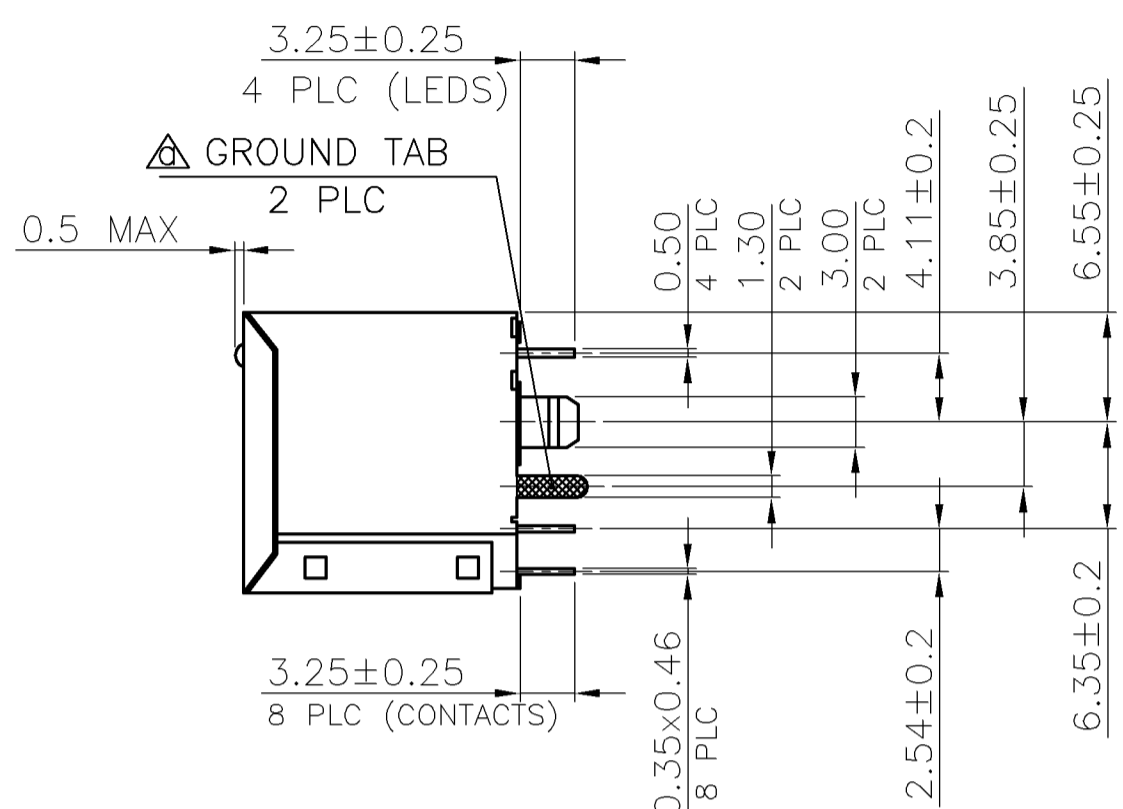
LED SCHEMATIC	
LED1	LED2
RED	RED
GREEN	GREEN
9-  +10	11-  +12
FOR 2-1734577-X	

LED SCHEMATIC	
LED1	LED2
YELLOW	GREEN
ORANGE	
9-  +10	11-  +12
FOR 4-1734577-1	

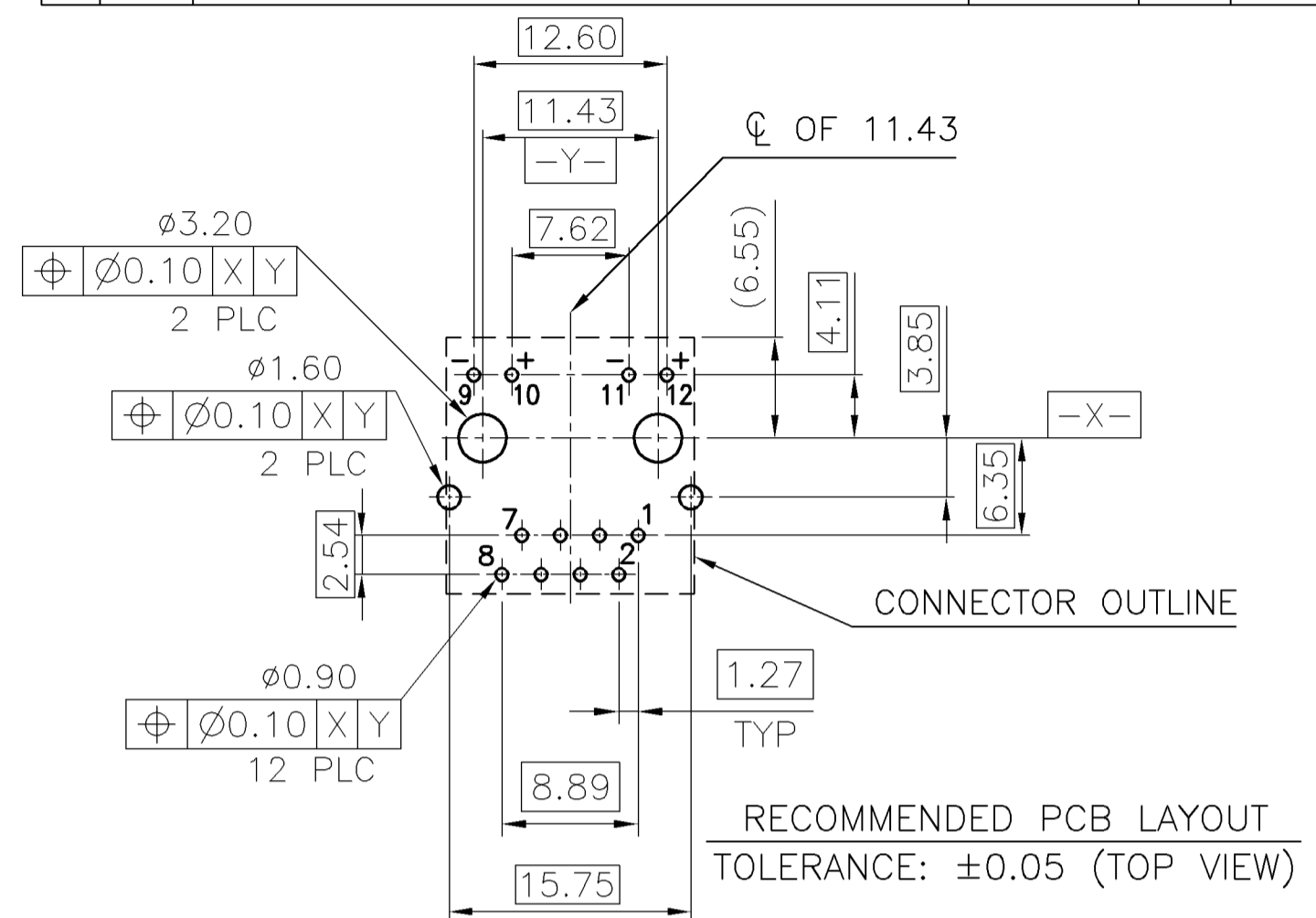
LED SCHEMATIC	
LED1	LED2
RED	RED
YELLOW	GREEN
9-  +10	11-  +12
FOR 5-1734577-X	



**MODULAR JACK WITH LED**



RECOMMENDED SUGGESTED PANEL CUTOUT



RECOMMENDED PCB LAYOUT TOLERANCE: ±0.05 (TOP VIEW)

- NOTE:
- MATERIAL:
    - HOUSING: PA46, WITH 30% GF, UL94 V-0, BLACK COLOR.
    - CONTACTS: PHOSPHOR BRONZE.
    - SHELL: BRASS.
    - LED SOLDER TAIL: STEEL.
  - FINISH:
    - CONTACTS: (SEE TABLE) GOLD PLATED ON CONTACT AREA, GOLD FLASH ON SOLDER TAIL AREA, 1.27um [50u"] MIN. NICKEL UNDERPLATING OVERALL. SHELL: 0.508um [20u"] MIN. NICKEL PLATED.
      - a POST DIPPED WITH TIN ON PCB GROUND TABS.
    - LED SOLDER TAIL: 2.159um [85u"] MIN. BRIGHT-TIN PLATED.
  - LED MUST BE REFLOW COMPATIBLE TO FOLLOWING TEMPERATURE PROFILE (FOR 1 CYCLE): ABOVE 160°C FOR 120 SECONDS, PEAKING AT 245°C FOR 20~40 SECONDS.
  - LED DEFECT RATE IS 6000PPM MAX. AFTER IR REFLOW PROCESS AS NOTE 3.
  - WAVE SOLDER CAPABLE TO 265°C PER TE SPEC 109-202, CONDITION B.
  - OBSOLETE PARTS: OBSOLETE CIS STREAMLINING PER D.RENAUD/D.SINISI

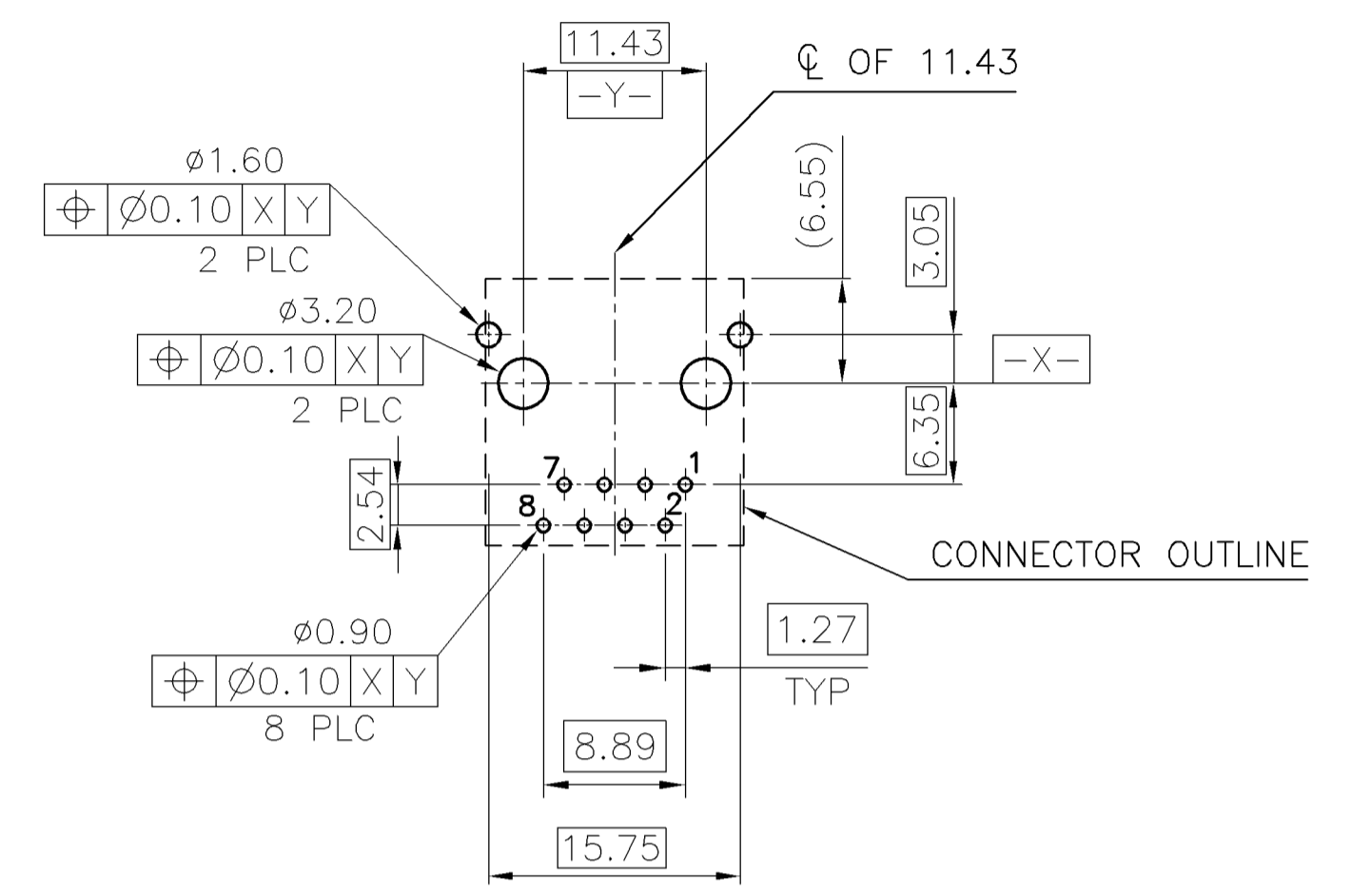
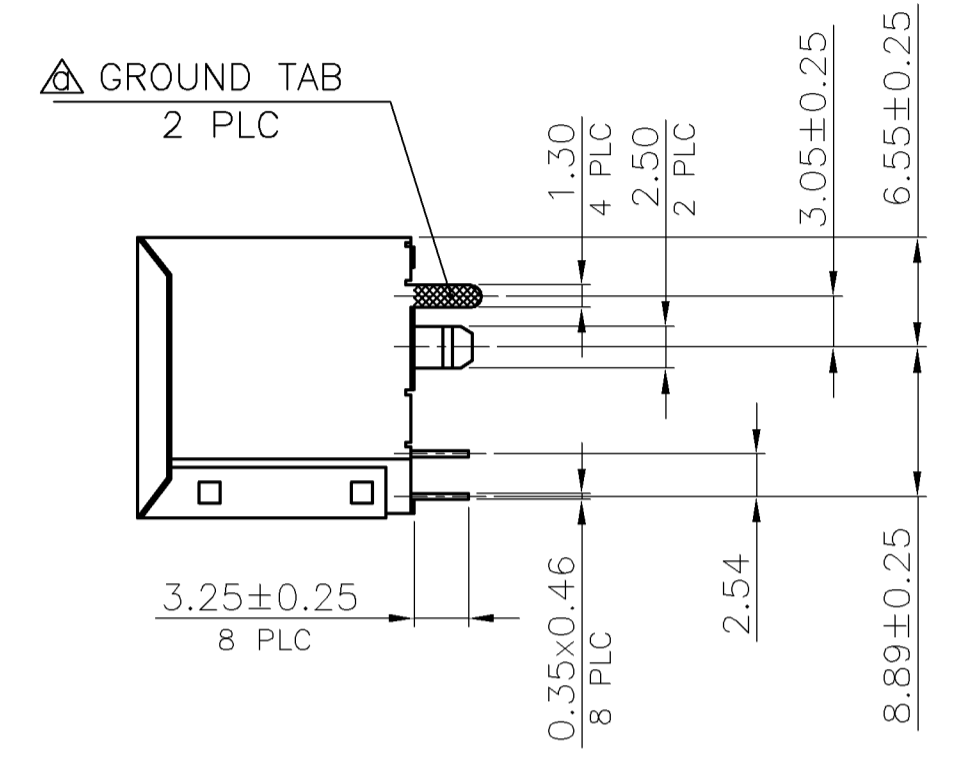
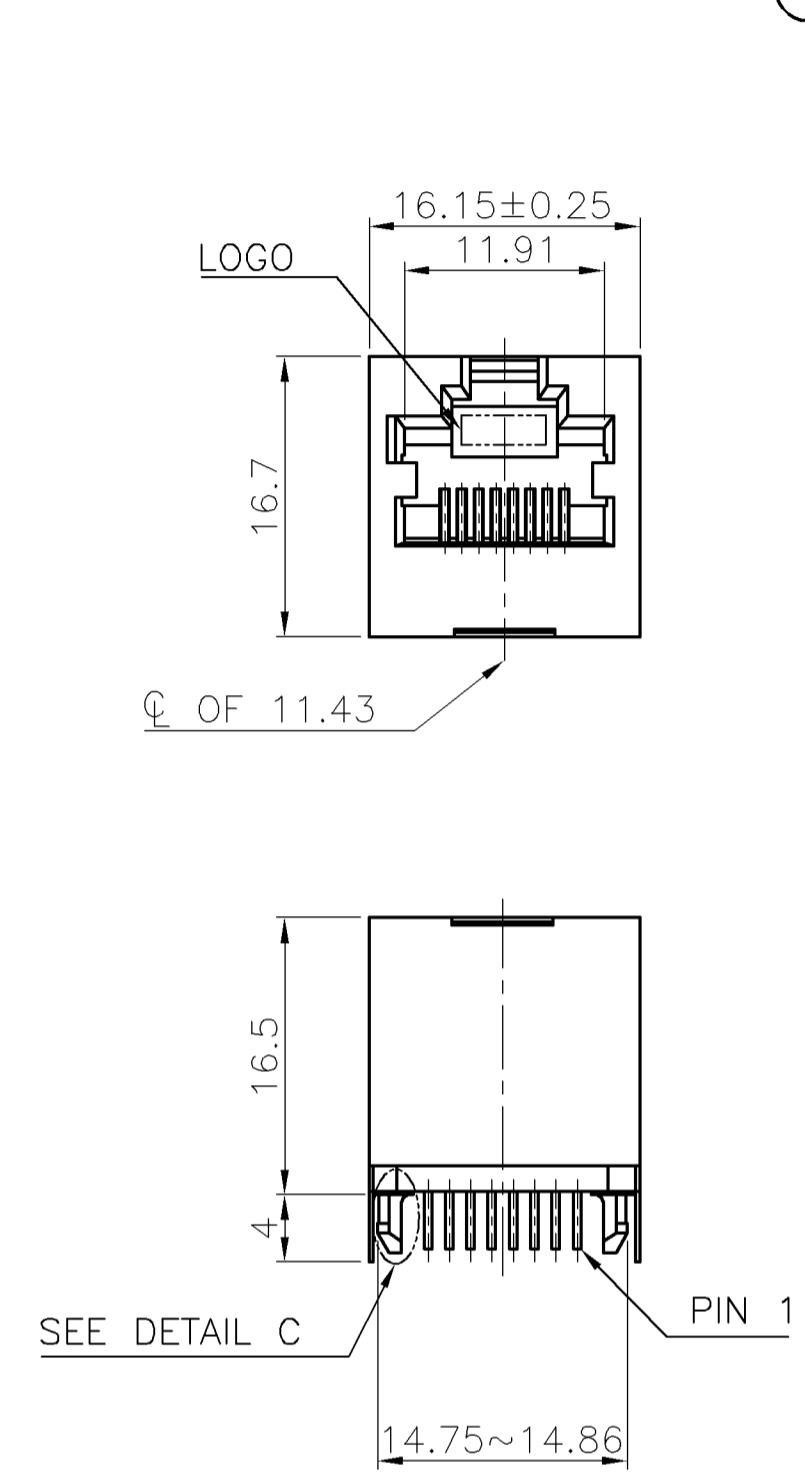
	RED/GREEN	RED/YELLOW	1.27um [50u"]	5-1734577-4
	GREEN/ORANGE	YELLOW	0.762um [30u"]	4-1734577-1
OBSOLETE	RED/GREEN	RED/GREEN	1.27um [50u"]	2-1734577-4
			0.762um [30u"]	2-1734577-3
			0.381um [15u"]	2-1734577-2
OBSOLETE	GREEN	GREEN	1.27um [50u"]	2-1734577-1
			0.762um [30u"]	1-1734577-4
			0.381um [15u"]	1-1734577-3
	YELLOW	GREEN	1.27um [50u"]	1-1734577-1
			0.762um [30u"]	1734577-4
			0.381um [15u"]	1734577-3
	LED2	LED1	MIN. GOLD THICKNESS	PART NUMBER
			0.152um [6u"]	1734577-2
			0.152um [6u"]	1734577-1

THIS DRAWING IS A CONTROLLED DOCUMENT.		DWN B. HSING 21JUL2009	TE Connectivity													
DIMENSIONS: mm		CHK S. CHIEN 21JUL2009														
TOLERANCES UNLESS OTHERWISE SPECIFIED:		APVD W. KODAMA 21JUL2009	NAME													
<table border="1"> <tr><td>0 PLC</td><td>± -</td></tr> <tr><td>1 PLC</td><td>± 0.3</td></tr> <tr><td>2 PLC</td><td>± 0.2</td></tr> <tr><td>3 PLC</td><td>± 0.15</td></tr> <tr><td>4 PLC</td><td>± -</td></tr> <tr><td>ANGLES</td><td>± 3'</td></tr> </table>		0 PLC	± -	1 PLC	± 0.3	2 PLC	± 0.2	3 PLC	± 0.15	4 PLC	± -	ANGLES	± 3'	PRODUCT SPEC		<b>MODULAR JACK CONNECTOR</b> <b>RJ45, 8P8C, VERTICAL, DIP TYPE</b>
0 PLC	± -															
1 PLC	± 0.3															
2 PLC	± 0.2															
3 PLC	± 0.15															
4 PLC	± -															
ANGLES	± 3'															
MATERIAL SEE NOTE		APPLICATION SPEC														
FINISH SEE NOTE		108-57527		SIZE												
		WEIGHT 6.55 GRAMS		CAGE CODE A300779												
		CUSTOMER DRAWING		DRAWING NO C-1734577												
		SCALE -		SHEET 1 OF 3												
				REV C4												

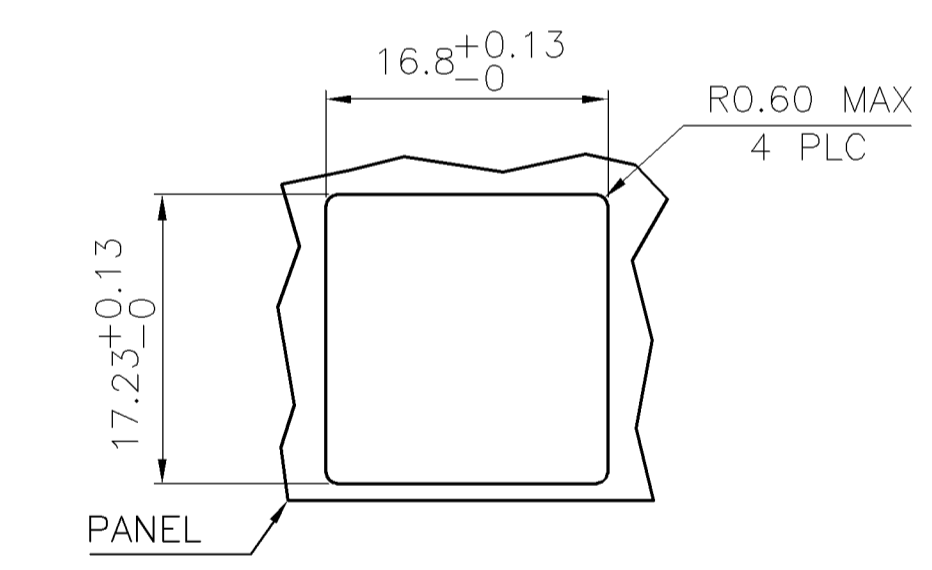
THIS DRAWING IS UNPUBLISHED. RELEASED FOR PUBLICATION  
 © COPYRIGHT 2010 BY TYCO ELECTRONICS CORPORATION. ALL RIGHTS RESERVED.

LOC	DIST	REVISIONS					
DW		P	LTR	DESCRIPTION	DATE	DWN	APVD
				SEE SHEET 1.			

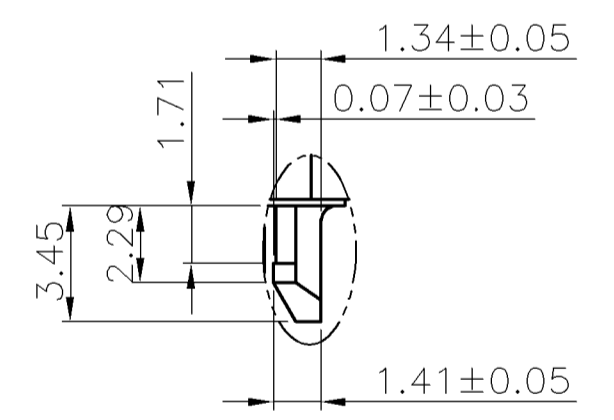
**MODULAR JACK WITHOUT LED**



RECOMMENDED PCB LAYOUT  
 TOLERANCE: ±0.05 (TOP VIEW)



RECOMMENDED SUGGESTED PANEL CUTOUT



DETAIL C (SCALE 2:1)

- NOTE:
- MATERIAL:  
 HOUSING: PA46, WITH 30% GF, UL94 V-0, BLACK COLOR.  
 CONTACTS: PHOSPHOR BRONZE.  
 SHELL: BRASS.
  - FINISH:  
 CONTACTS: (SEE TABLE) GOLD PLATED ON CONTACT AREA,  
 GOLD FLASH ON SOLDER TAIL,  
 WITH ENTIRE CONTACT UNDERPLATED  
 1.27µm [50µ"] MIN. NICKEL.  
 SHELL: 0.508µm [20µ"] MIN. NICKEL PLATED.  
 POST DIPPED WITH TIN ON PCB GROUND TABS.
  - WAVE SOLDER CAPABLE TO 265°C PER TE SPEC 109-202, CONDITION B.
  - OBSOLETE PARTS: OBSOLETE CIS STREAMLINING PER D.RENAUD/D.SINISI

△	1.27µm [50µ"]	3-1734577-5
	1.27µm [50µ"]	3-1734577-4
△	0.762µm [30µ"]	<del>3-1734577-3</del>
	0.381µm [15µ"]	3-1734577-2
	0.152µm [6µ"]	3-1734577-1
	MIN. GOLD THICKNESS	PART NUMBER

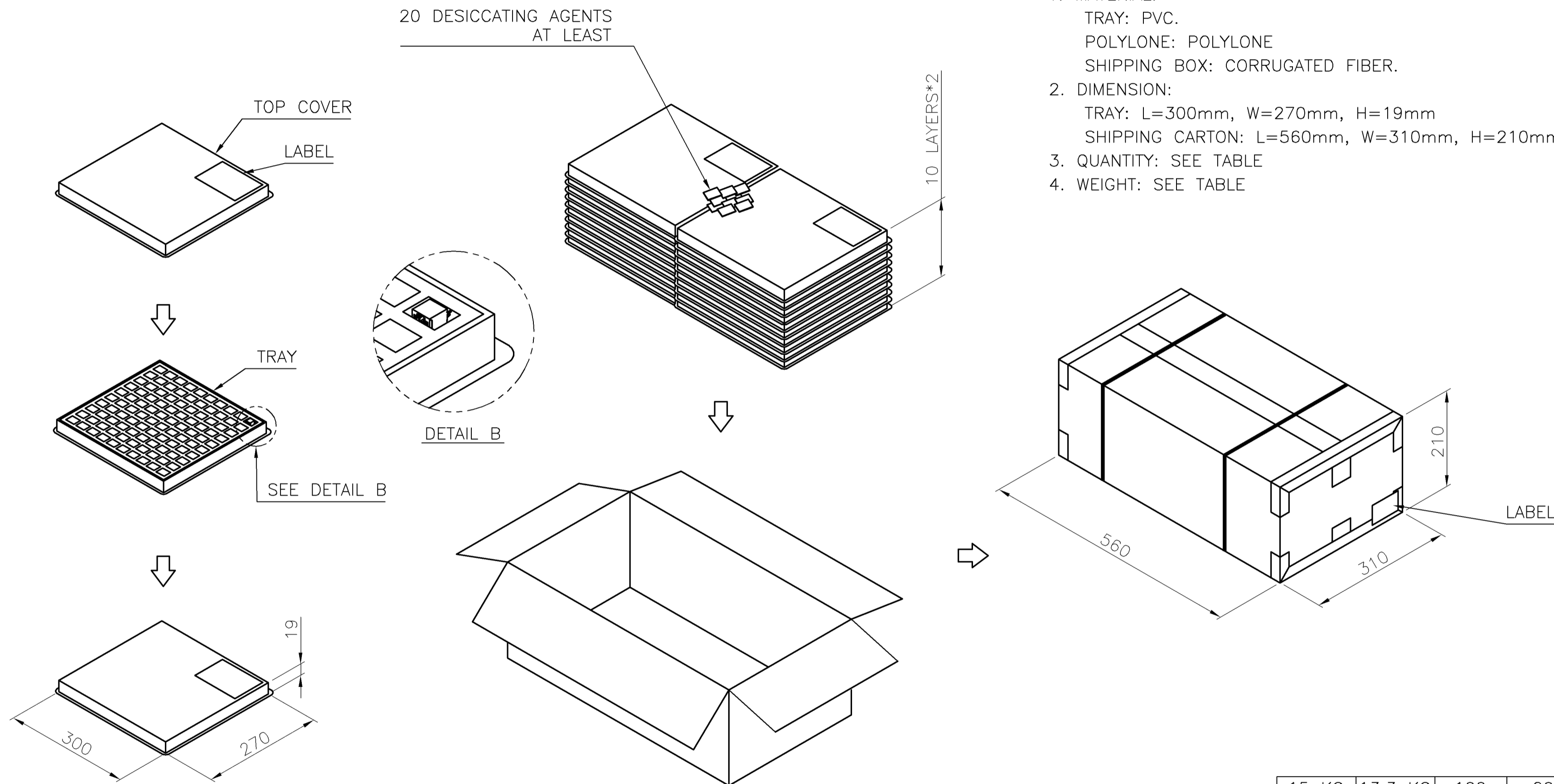
THIS DRAWING IS A CONTROLLED DOCUMENT.		DWN	TE Connectivity		
DIMENSIONS: mm		CHK			
TOLERANCES UNLESS OTHERWISE SPECIFIED:		APVD	NAME		
0 PLC ± -		PRODUCT SPEC	MODULAR JACK CONNECTOR		
1 PLC ± 0.3		APPLICATION SPEC	RJ45, 8P8C, VERTICAL, DIP TYPE		
2 PLC ± 0.2		WEIGHT 6.7 GRAMS	SIZE A3	CAGE CODE 00779	DRAWING NO C-1734577
3 PLC ± 0.15		CUSTOMER DRAWING	RESTRICTED TO		
4 PLC ± -			SCALE	SHEET 2 OF 3	REV C4
ANGLES ± 3°					
FINISH					

THIS DRAWING IS UNPUBLISHED. RELEASED FOR PUBLICATION  
 © COPYRIGHT 2010 BY TYCO ELECTRONICS CORPORATION. ALL RIGHTS RESERVED.

LOC	DIST	REVISIONS				
P	LTR	DESCRIPTION	DATE	DWN	APVD	
		SEE SHEET 1.				

NOTES:

- MATERIAL:  
 TRAY: PVC.  
 POLYLONE: POLYLONE  
 SHIPPING BOX: CORRUGATED FIBER.
- DIMENSION:  
 TRAY: L=300mm, W=270mm, H=19mm  
 SHIPPING CARTON: L=560mm, W=310mm, H=210mm
- QUANTITY: SEE TABLE
- WEIGHT: SEE TABLE



15 KG	13.3 KG	100	20	2000
GROSS WEIGHT	NET WEIGHT	PCS/TRAY	TRAY/BOX	PCS/BOX

THIS DRAWING IS A CONTROLLED DOCUMENT.		DWN	TE Connectivity NAME MODULAR JACK CONNECTOR RJ45, 8P8C, VERTICAL, DIP TYPE				
DIMENSIONS: mm		CHK					
		APVD					
TOLERANCES UNLESS OTHERWISE SPECIFIED: 0 PLC ± - 1 PLC ± 0.3 2 PLC ± 0.2 3 PLC ± 0.15 4 PLC ± - ANGLES ± 3°		PRODUCT SPEC					
MATERIAL		FINISH	APPLICATION SPEC	SIZE	CAGE CODE	DRAWING NO	RESTRICTED TO
			WEIGHT	A3	00779	C=1734577	
			CUSTOMER DRAWING	SCALE	SHEET	3 OF 3	REV C4