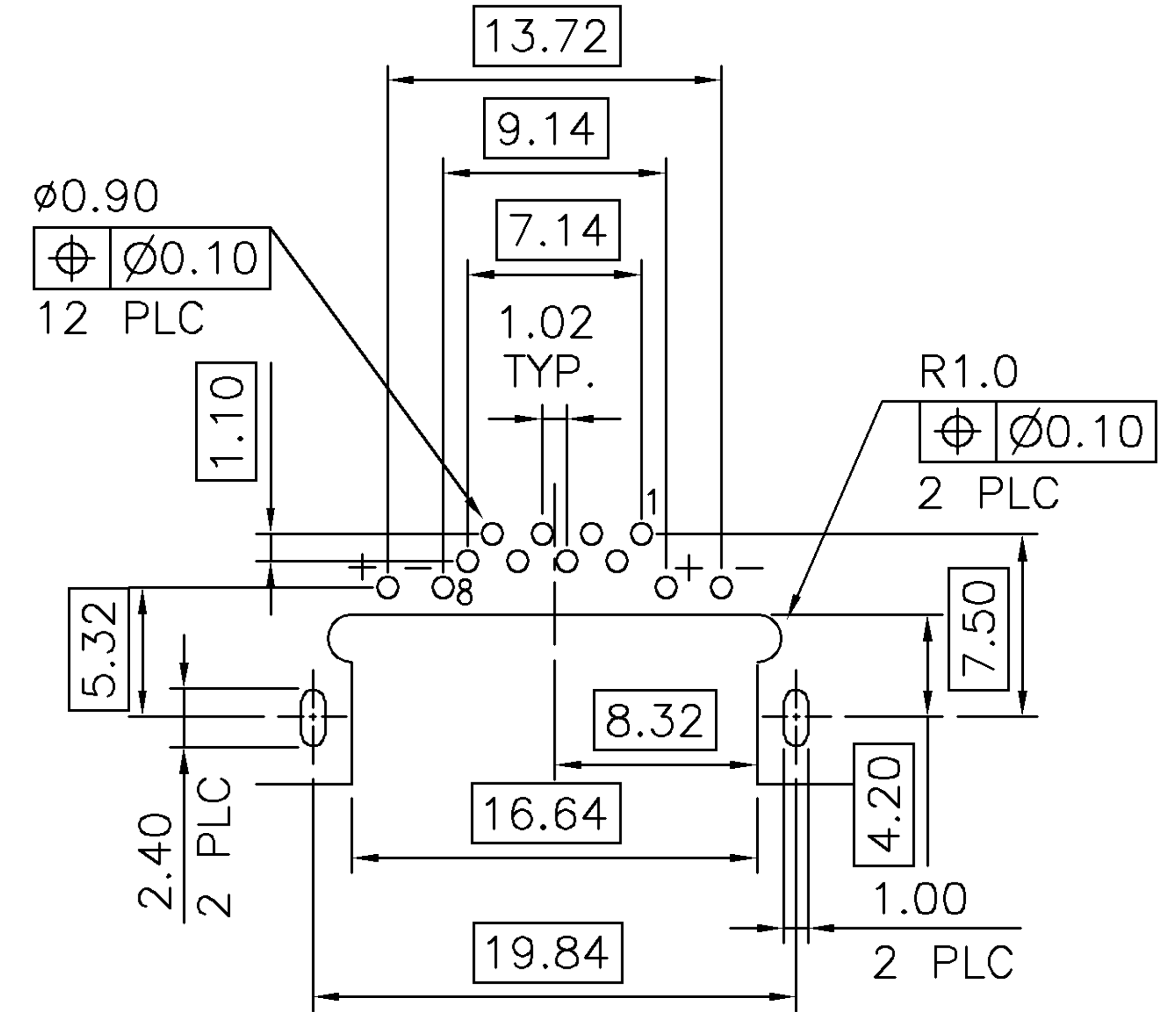
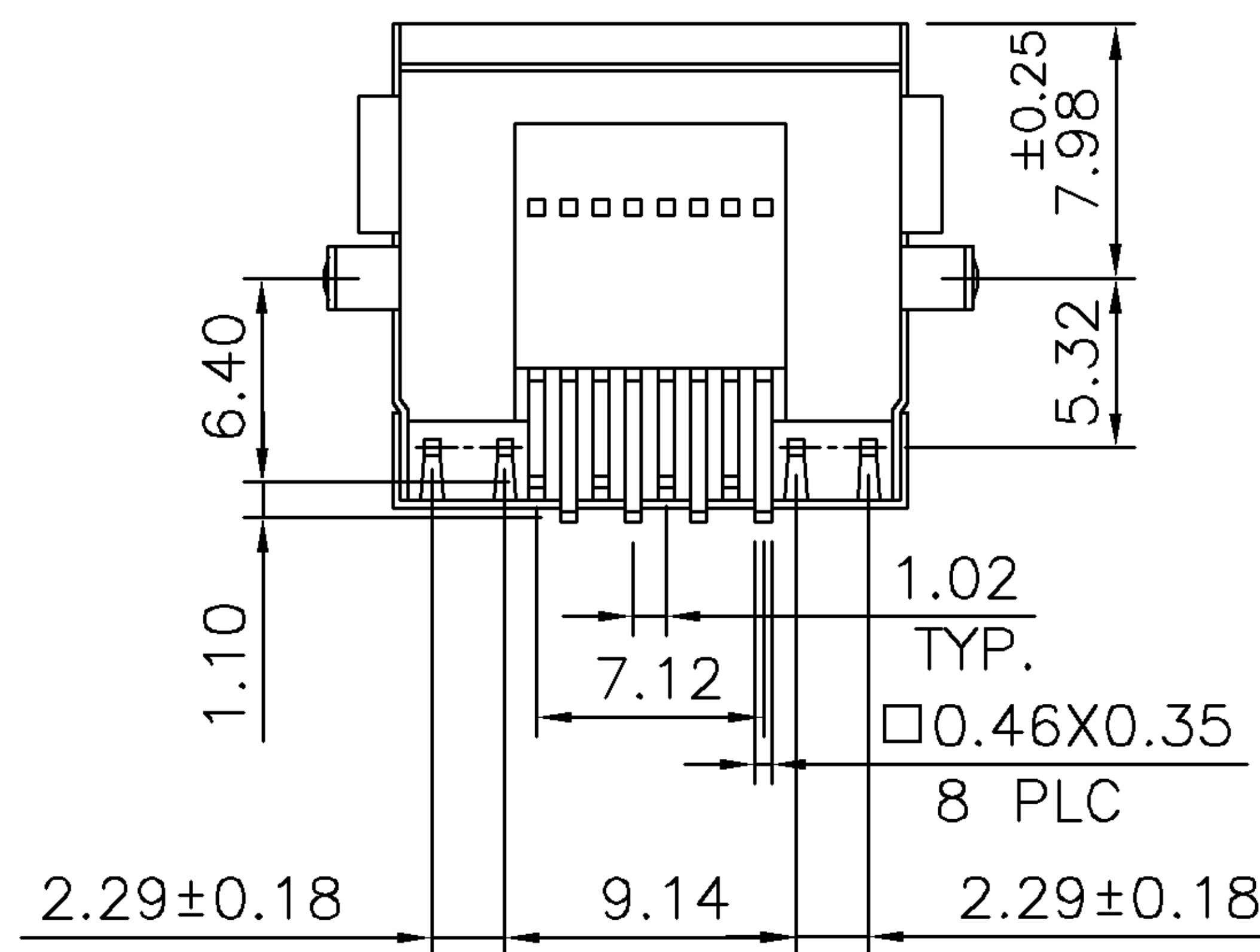
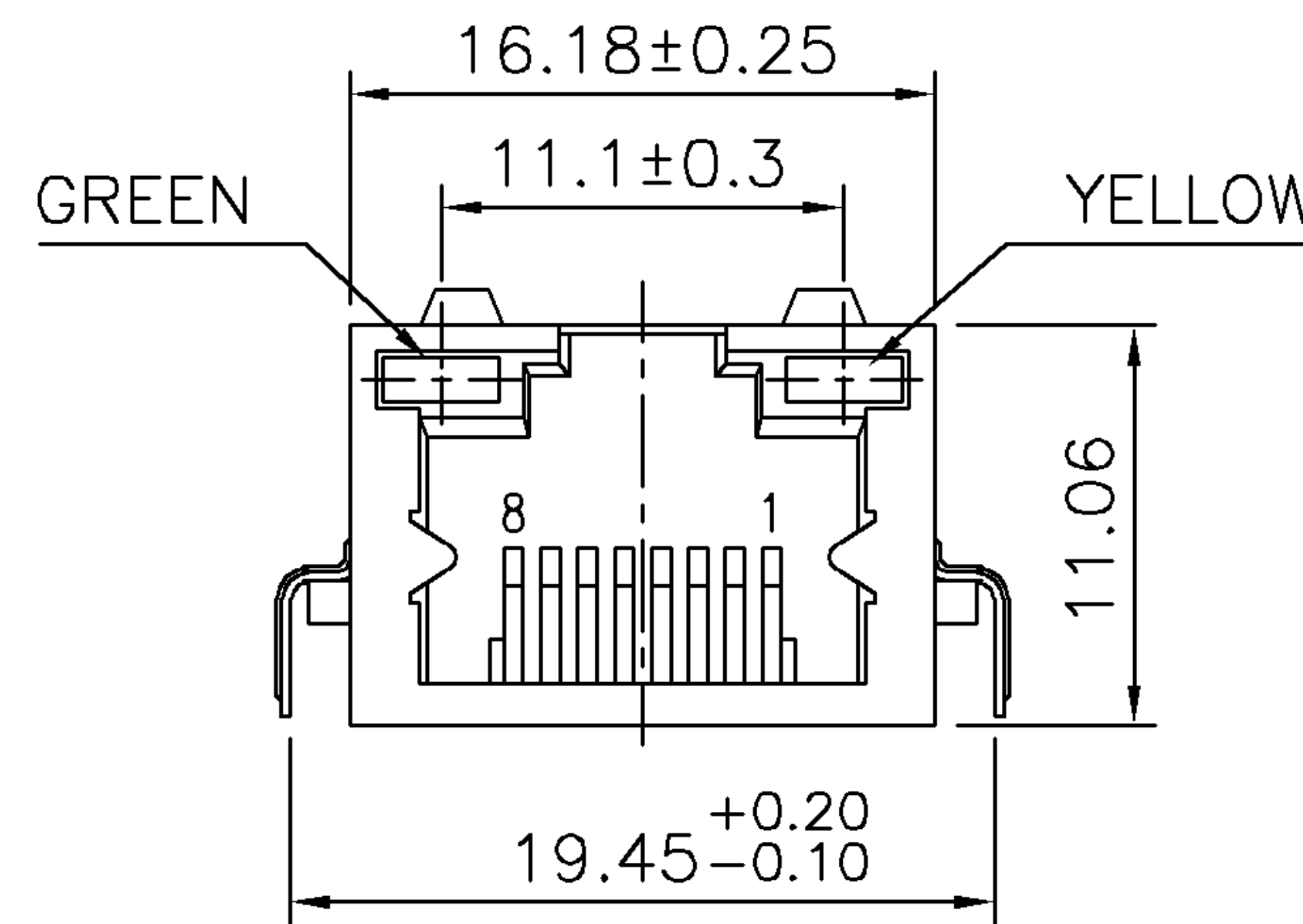
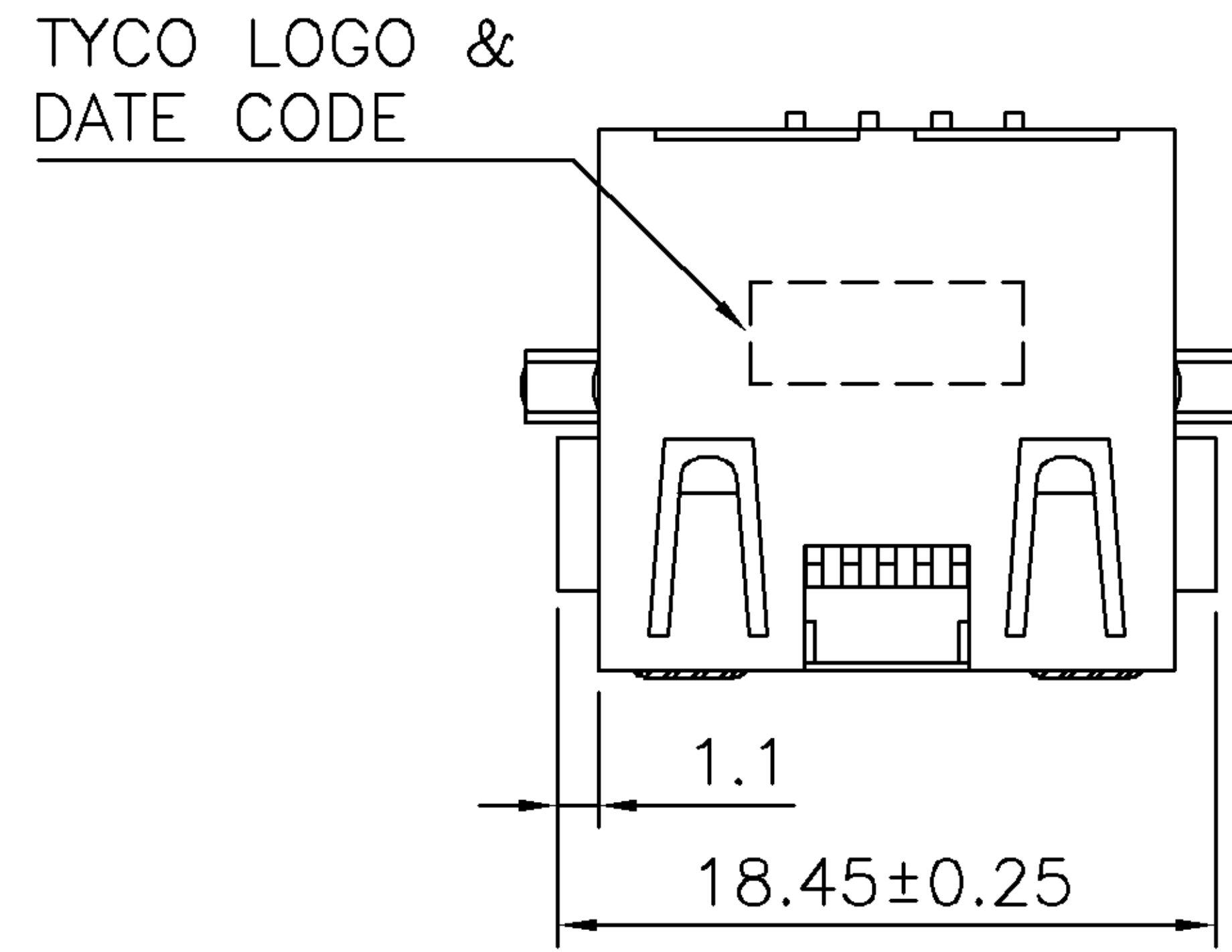
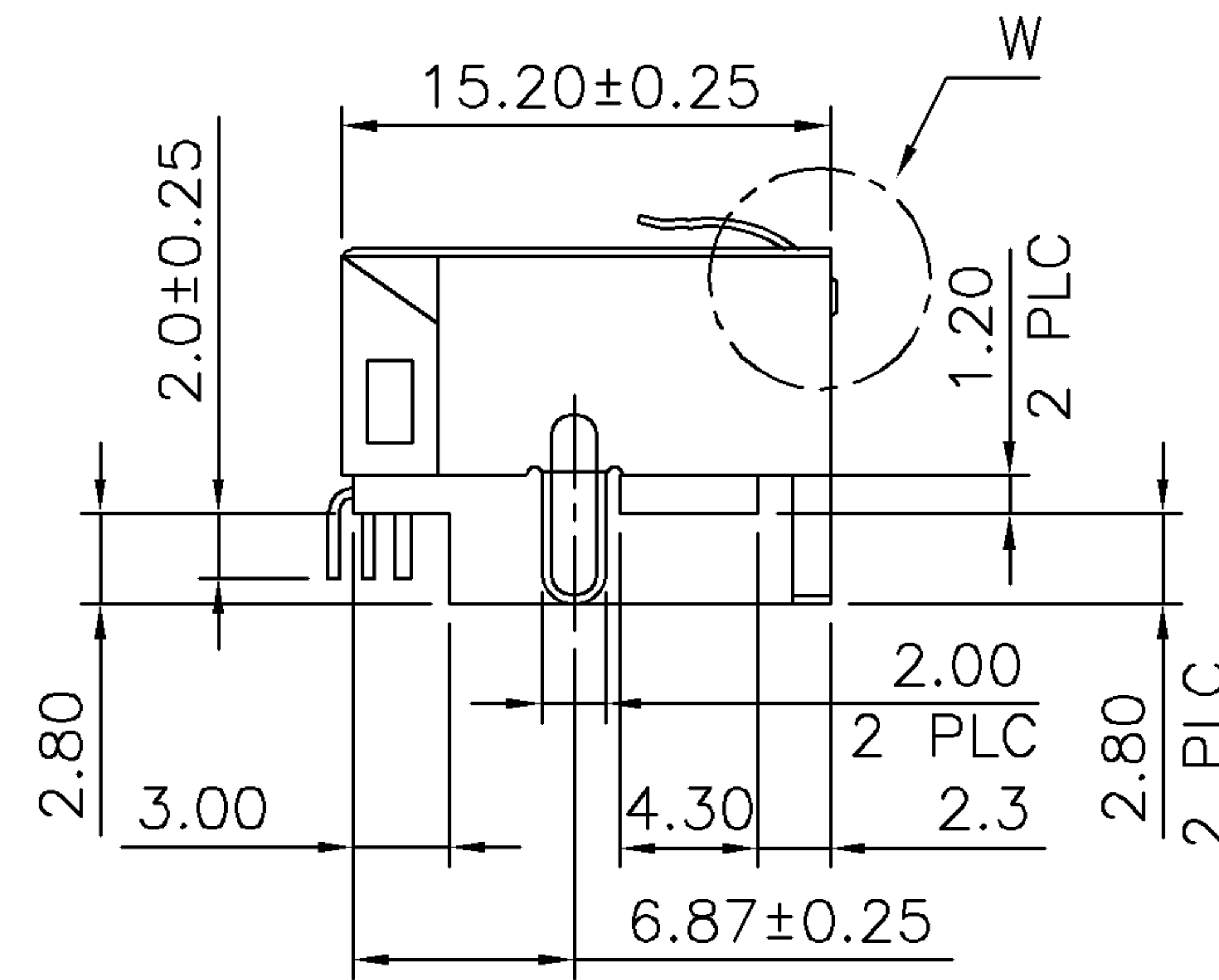
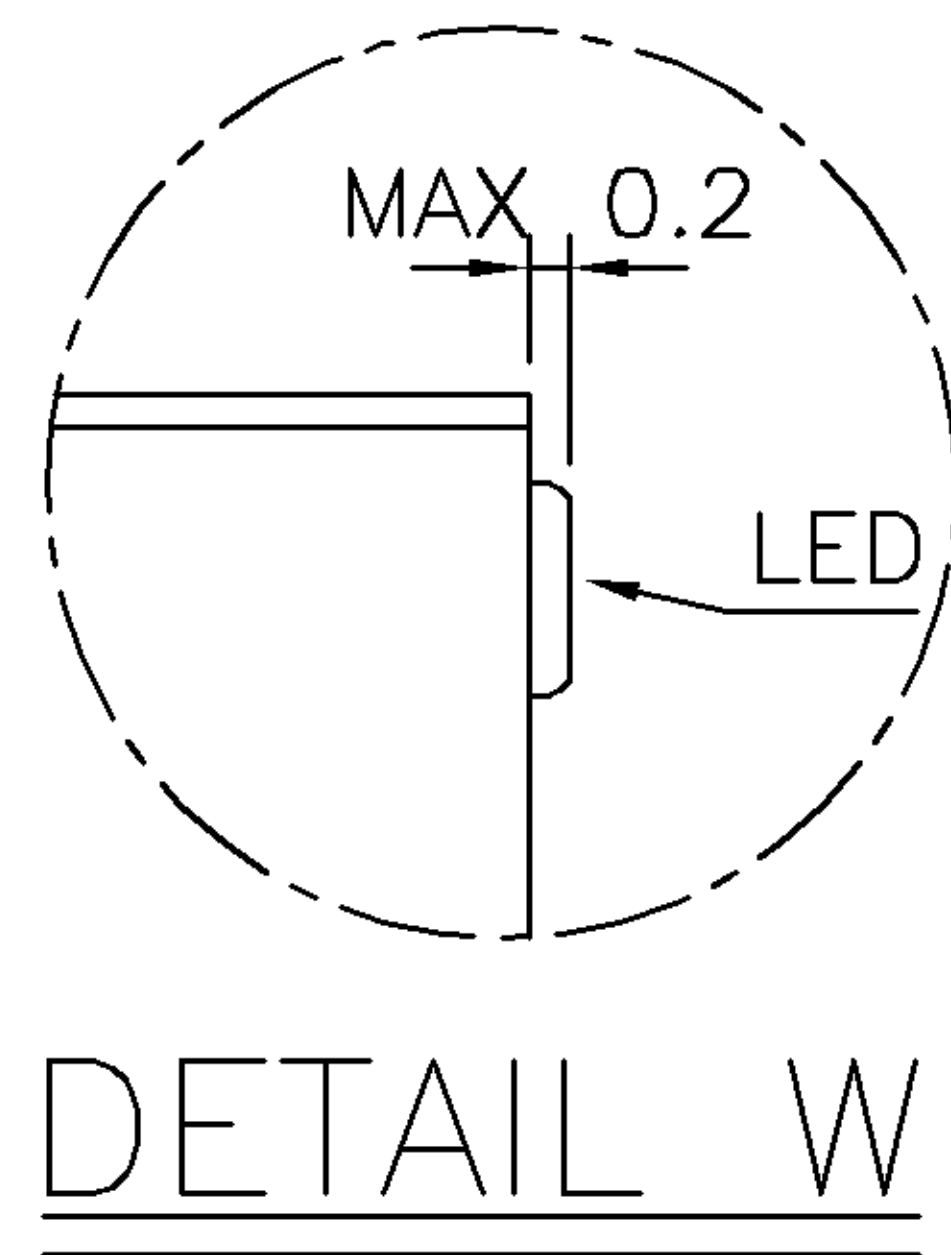


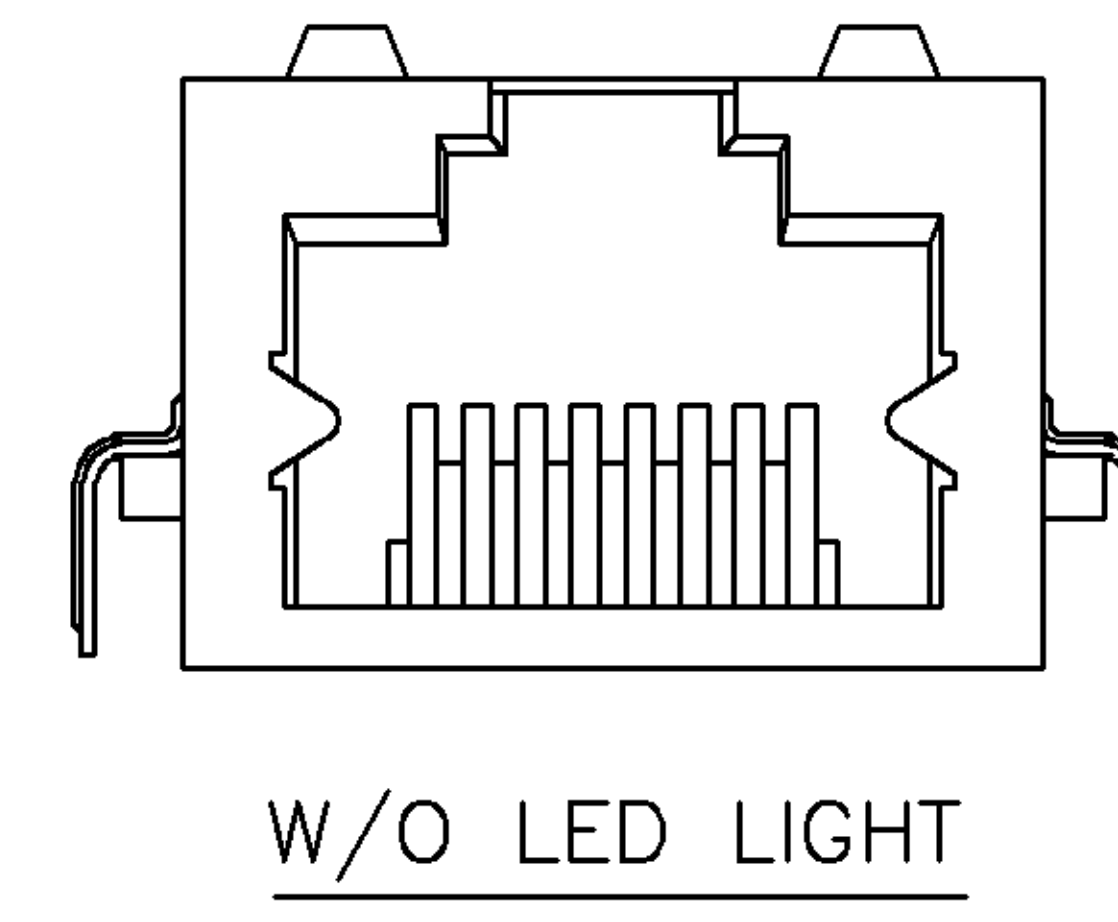
NUMBER
C-1734719

3RD ANGLE PROJECTION

METRIC



RECOMMENDED PCB LAYOUT (THICKNESS: 1.6mm)
(DIMENSION TOLERANCE: 1 PLC: ±0.1 2PLC: ±0.05)



NOTE:

- MATERIAL:
HOUSING: THERMOPLASTIC HIGH TEMP., UL94V-0, COLOR: BLACK.
CONTACT: PHOSPHOR BRONZE, THICKNESS: 0.35mm.
SHELL: BRASS, THICKNESS: 0.20mm.
LED LIGHT: EPOXY RESIN, THICKNESS: 0.50mm.
- FINISH:
CONTACT: GOLD PLATED (SEE TABLE) IN CONTACT AREA, GOLD FLASH ON SOLDER TAILS, 50u" MIN. NICKEL UNDER PLATED ALL OVER.
SHELL: 20u" MIN. NICKEL PLATED.
LED LIGHT: 65u" MIN Ag PLATED, 85u" MIN TIN PLATED.
- LED MUST BE REFLOW COMPATIBLE TO FOLLOWING TEMPERATURE PROFILE (FOR 1 CYCLE): ABOVE 160°C FOR 120 SECONDS, PEAKING AT 245°C FOR 20~40 SECONDS.
- LED DEFECT RATE IS 6000 PPM MAX. AFTER IR REFLOW PROCESS AS NOTE 3.
- WAVE SOLDER CAPABLE TO 265°C PER TYCO SPEC 109-202, CONDITION B.

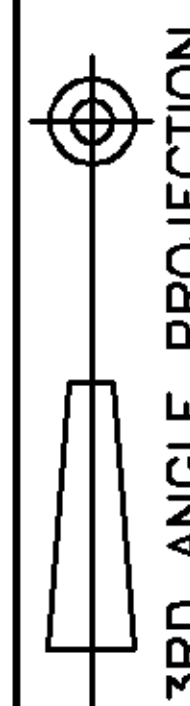
| PACKAGE | LED LIGHT | MIN. GOLD THICKNESS | PART NUMBER |
|---------|-----------|---------------------|-------------|
| REEL | w/o | 50µ" | 3-1734719-8 |
| | | 30µ" | 3-1734719-7 |
| | | 15µ" | 3-1734719-6 |
| | w/ | 6µ" | 3-1734719-5 |
| | | 50µ" | 3-1734719-4 |
| | | 30µ" | 3-1734719-3 |
| TRAY | w/o | 15µ" | 3-1734719-2 |
| | | 6µ" | 3-1734719-1 |
| | | 50µ" | 1734719-8 |
| | w/ | 30µ" | 1734719-7 |
| | | 15µ" | 1734719-6 |
| | | 6µ" | 1734719-5 |
| | w/ | 50µ" | 1734719-4 |
| | | 30µ" | 1734719-3 |
| | | 15µ" | 1734719-2 |
| | | 6µ" | 1734719-1 |

| | | | |
|---|--|------------------------------|--|
| TOLERANCES UNLESS OTHERWISE SPECIFIED: DWN. | | O. HU 13-DEC-2005 | |
| 0 PLC ± 0.50 1 PLC ± 0.30 2 PLC ± 0.20 3 PLC ± 0.10 ANGLES ± 3' | | CHK. S. HOU 13-DEC-2005 | |
| MATERIAL SEE NOTE | | APVD. W.J. KE 13-DEC-2005 | |
| FINISH SEE NOTE | | PRODUCT SPEC 108-57535 | |
| QUALIFICATION TEST REPORT 501-57628 | | LOC DW A ₃ | |
| WEIGHT 3.0 gram | | DRAWING NO C-1734719 | |
| | | REV A | |
| | | SCALE -- | |
| | | SHEET 1 OF 4 | |

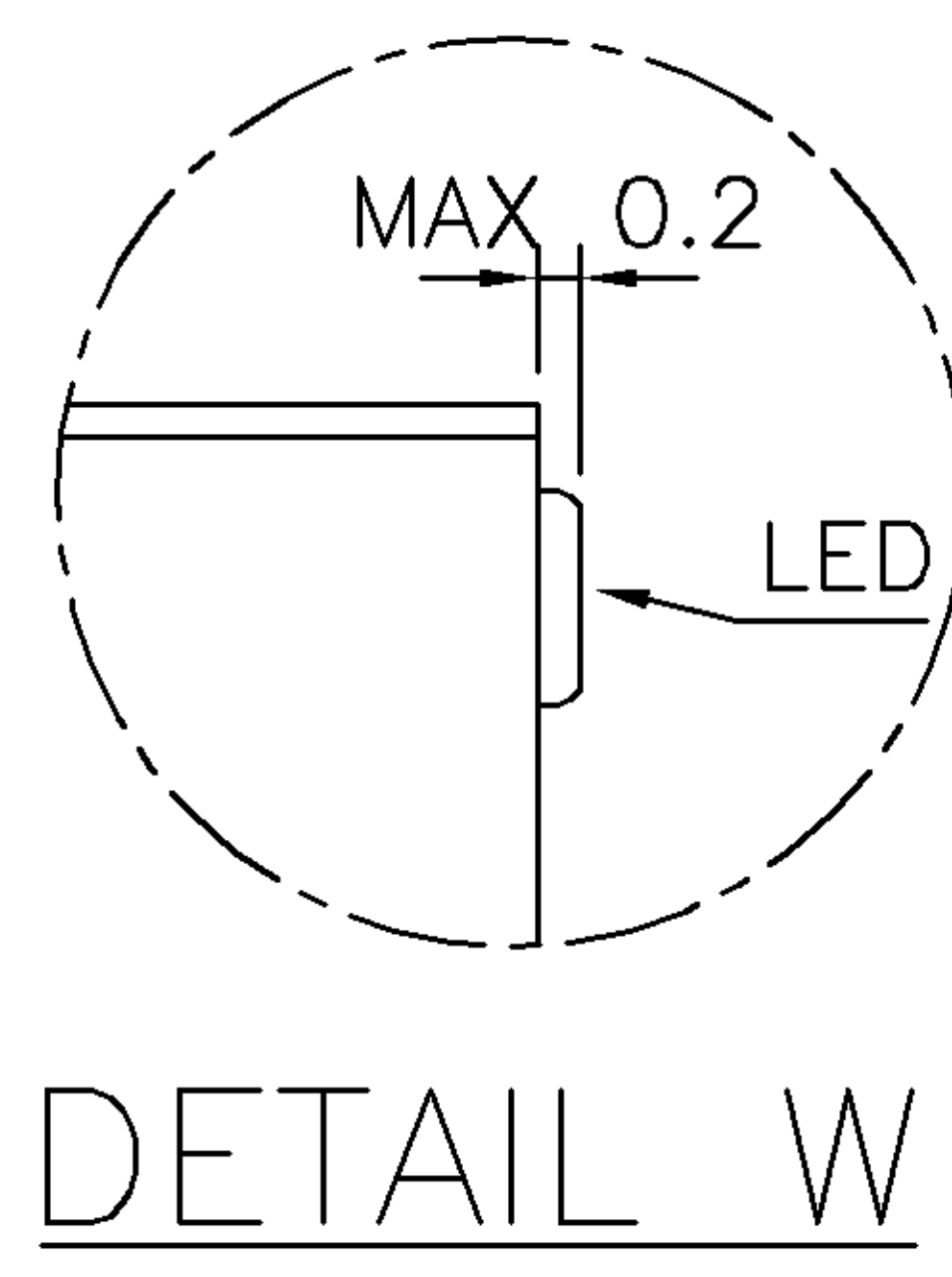
THIS INFORMATION IS CONFIDENTIAL AND IS DISCLOSED TO YOU ON CONDITION THAT NO FURTHER DISCLOSURE IS MADE BY YOU TO OTHER THAN AMP PERSONNEL WITHOUT WRITTEN AUTHORIZATION FROM AMP (TAIWAN) LTD. DIMENSIONS IN MILLIMETERS. DO NOT SCALE PRINT.

PRINT DIST
DW

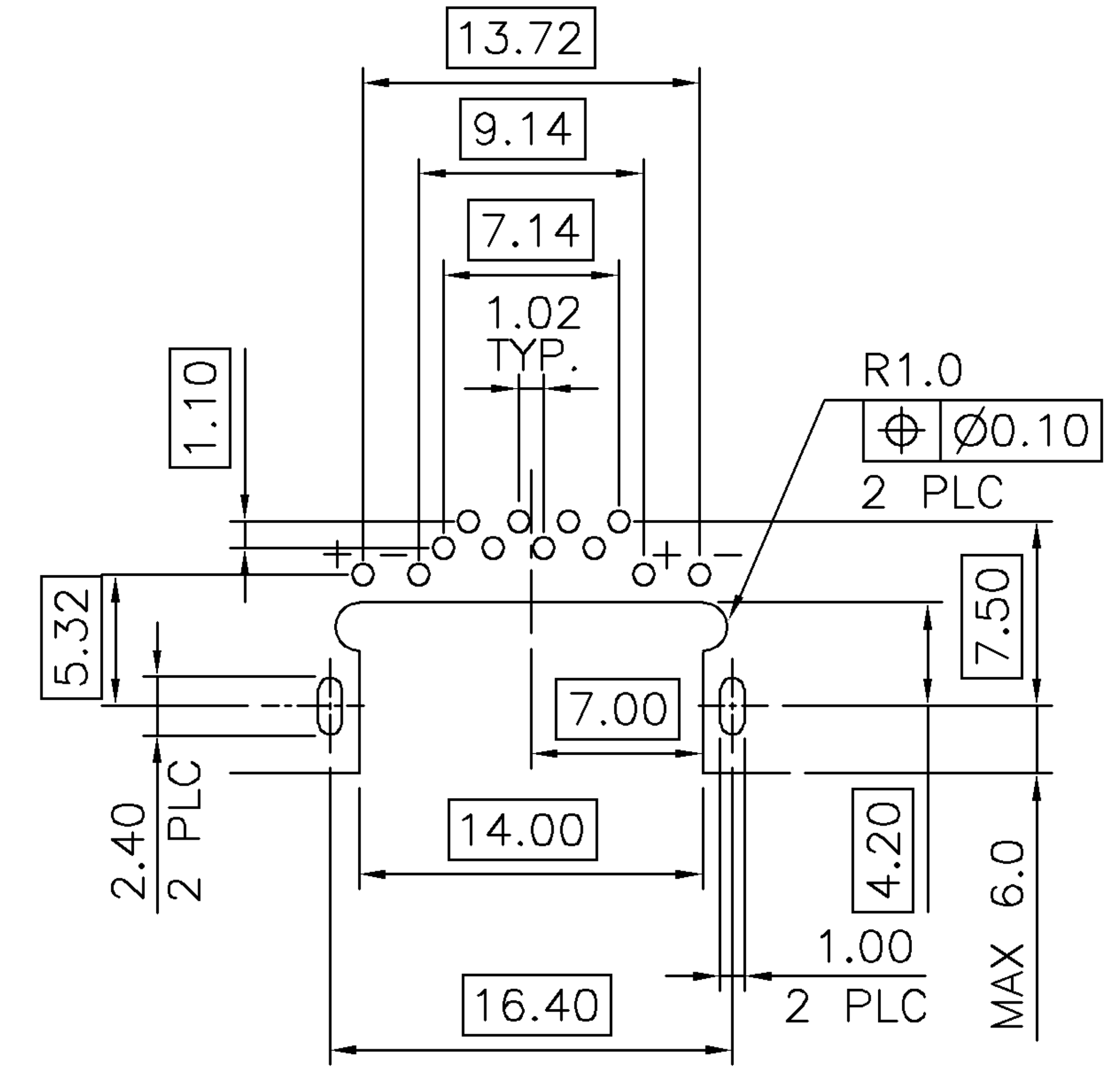
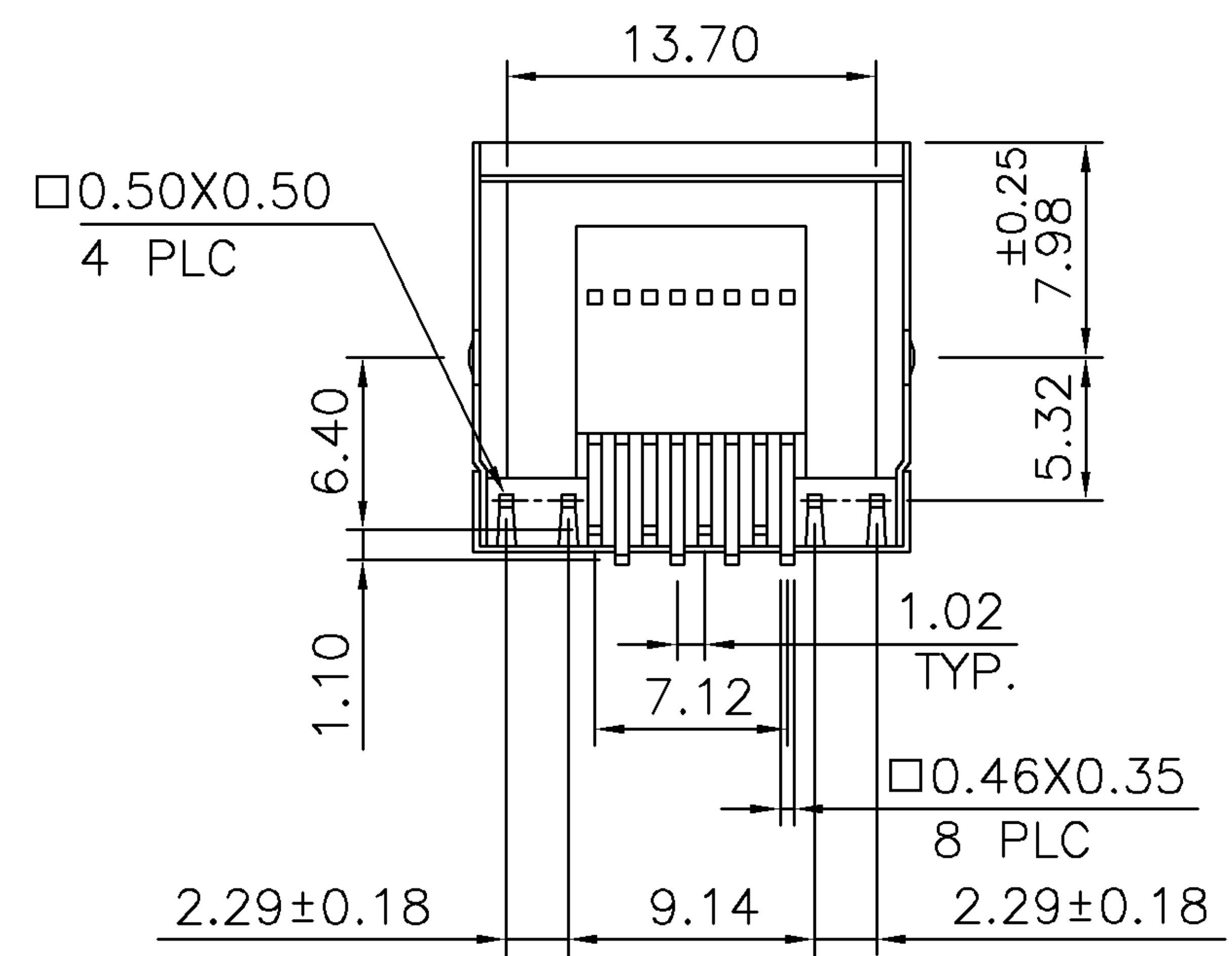
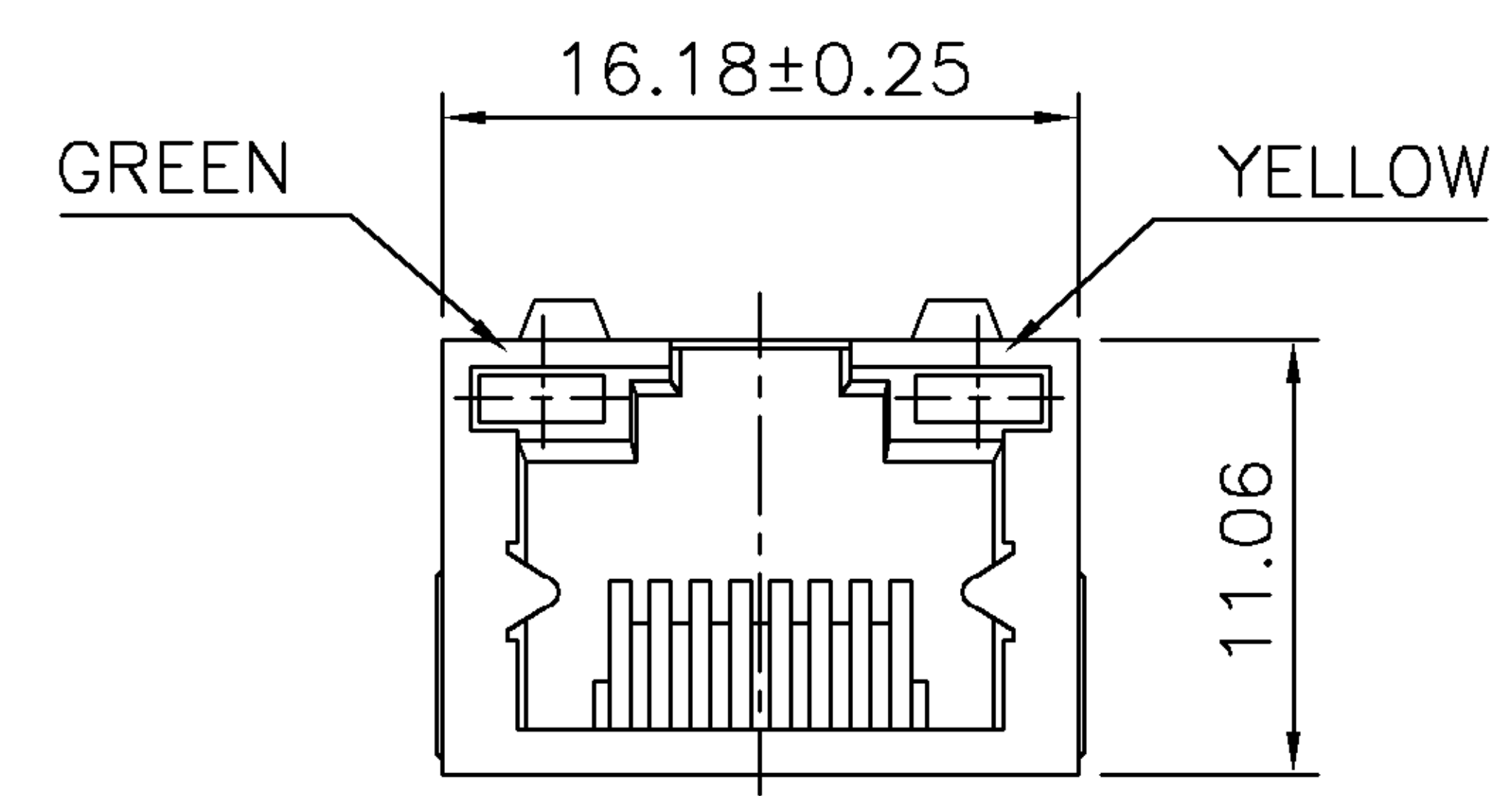
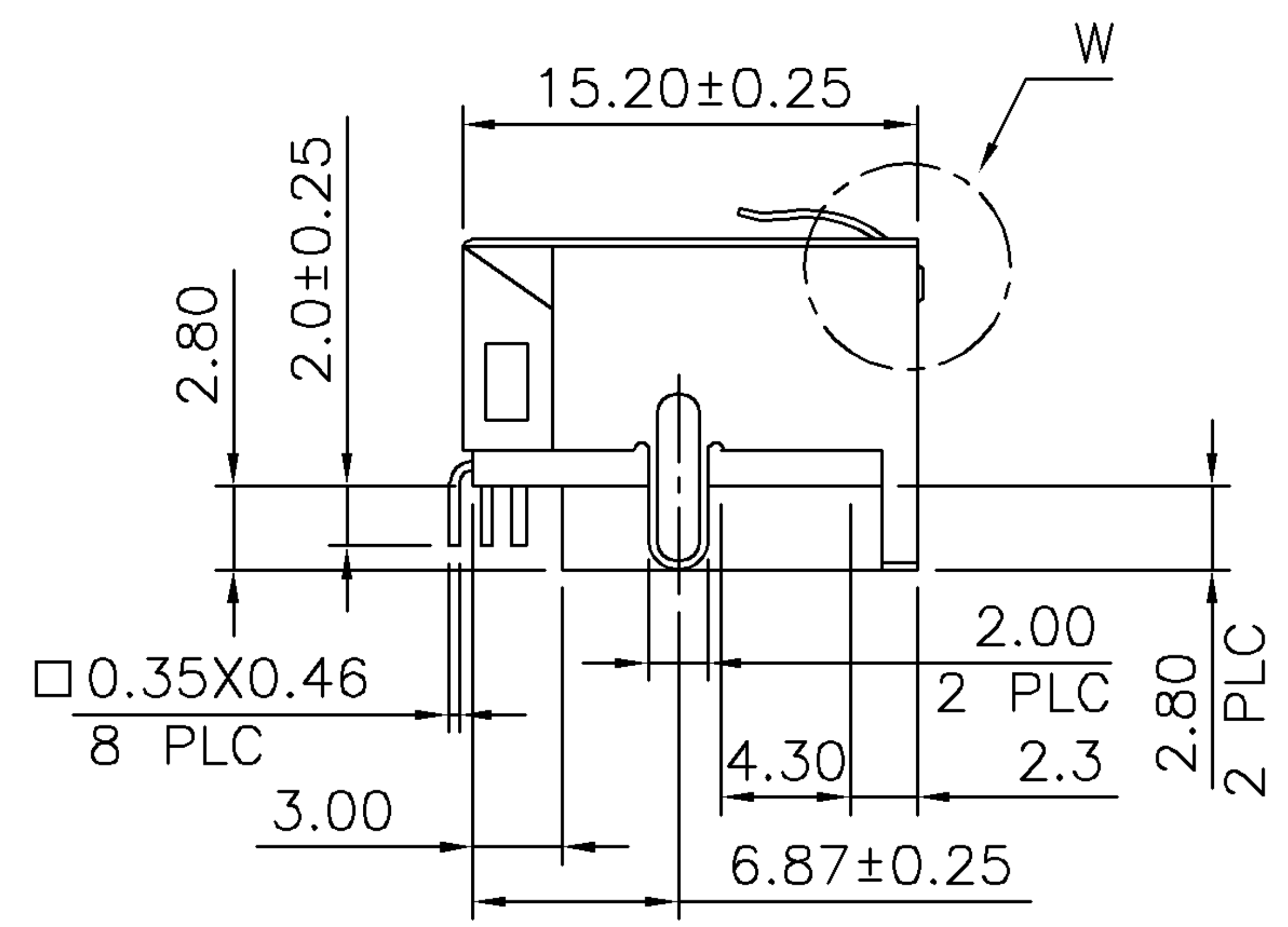
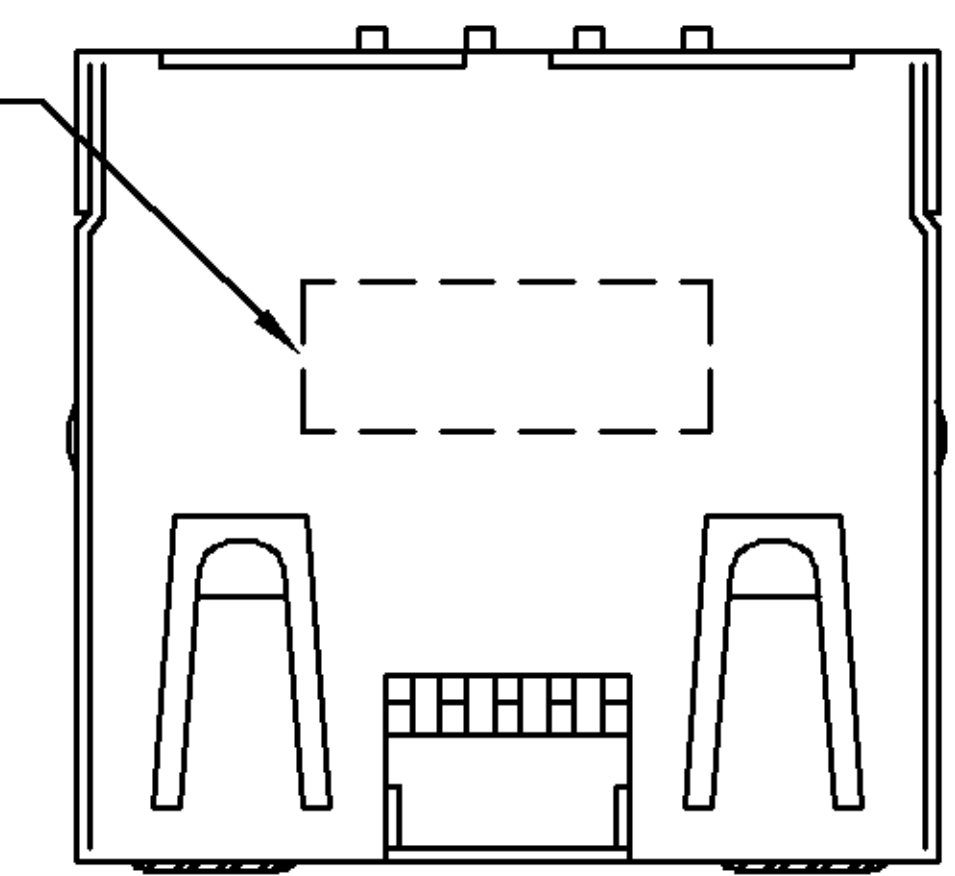
NUMBER
C-1734719



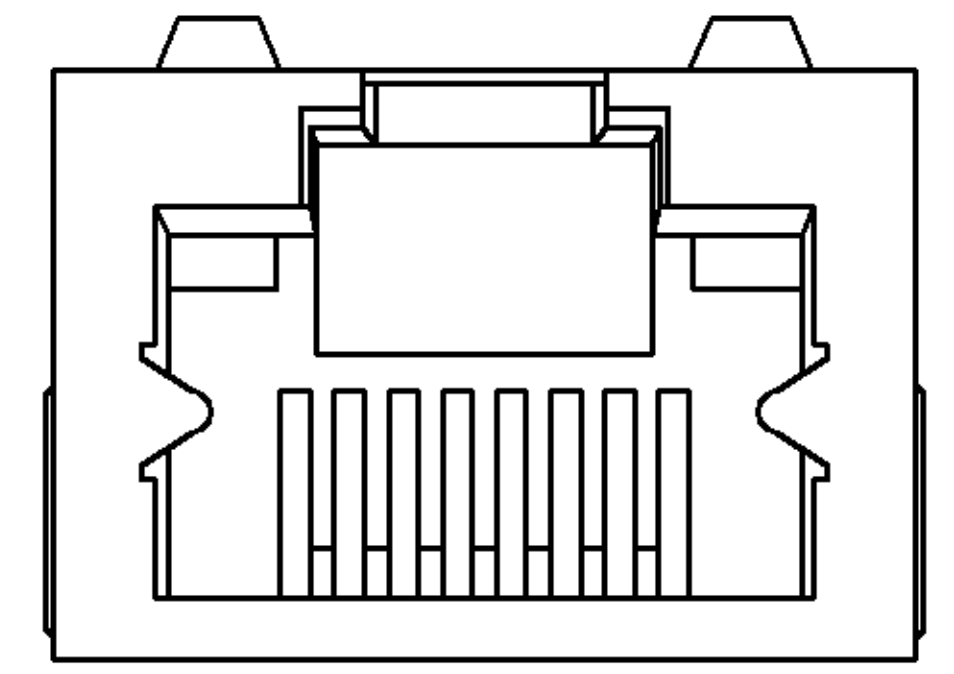
METRIC



TYCO LOGO &
DATE CODE



RECOMMENDED PCB LAYOUT (THICKNESS: 1.6mm)
(DIMENSION TOLERANCE: 1 PLC: ±0.1 2PLC: ±0.05)



W/O LED LIGHT

- NOTE:
- MATERIAL:
HOUSING: THERMOPLASTIC HIGH TEMP., UL94V-0, COLOR: BLACK.
CONTACT: PHOSPHOR BRONZE, THICKNESS: 0.35mm.
SHELL: BRASS, THICKNESS: 0.20mm.
 - FINISH:
CONTACT: GOLD PLATED (SEE TABLE) IN CONTACT AREA,
GOLD FLASH ON SOLDER TAILS,
50u" MIN. NICKEL UNDER PLATED ALL OVER.
SHELL: 20u" MIN. NICKEL PLATED.
 - WAVE SOLDER CAPABLE TO 265°C PER TYCO SPEC 109-202,
CONDITION B.

| PACKAGE | LED LIGHT | MIN. GOLD THICKNESS | PART NUMBER |
|---------|-----------|---------------------|-------------|
| REEL | w/o | 50µ" | 2-1734719-8 |
| | | 30µ" | 2-1734719-7 |
| | | 15µ" | 2-1734719-6 |
| | w/ | 6µ" | 2-1734719-5 |
| | | 50µ" | 2-1734719-4 |
| | | 30µ" | 2-1734719-3 |
| TRAY | w/o | 15µ" | 2-1734719-2 |
| | | 6µ" | 2-1734719-1 |
| | | 50µ" | 1-1734719-8 |
| | w/ | 30µ" | 1-1734719-7 |
| | | 15µ" | 1-1734719-6 |
| | | 6µ" | 1-1734719-5 |
| | | 50µ" | 1-1734719-4 |
| | | 30µ" | 1-1734719-3 |
| | | 15µ" | 1-1734719-2 |
| | | 6µ" | 1-1734719-1 |

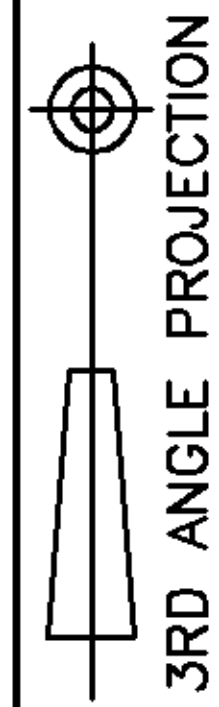
| | | | | | |
|---|--|--|--|---|--|
| TOLERANCES UNLESS OTHERWISE SPECIFIED: DWN. | | O. HU 13-DEC-2005 | | TYCO HOLDINGS (BERMUDA) VII LTD. TAIWAN BRANCH | |
| 0 PLC ± 0.50 1 PLC ± 0.30 2 PLC ± 0.20 3 PLC ± 0.10 ANGLES ± 3' | | CHK. S. HOU 13-DEC-2005 | | NAME tyco Electronics | |
| MATERIAL SEE NOTE | | APVD. W.J. KE 13-DEC-2005 | | MODULAR JACK, RJ45, SINGLE ENTRY, DIP TYPE | |
| FINISH SEE NOTE | | PRODUCT SPEC 108-57535 | | LOC DW | |
| | | QUALIFICATION TEST REPORT 501-57628 | | SIZE A ₃ | |
| | | WEIGHT 3.0 gram | | DRAWING NO C-1734719 | |
| | | | | REV A | |
| | | | | SCALE -- | |
| | | | | SHEET 2 OF 4 | |

| | | | |
|-------------|-----------------|------------|------|
| SEE SHEET 1 | ECN | DWN CHK | DATE |
| LTR | REVISION RECORD | | |

THIS INFORMATION IS CONFIDENTIAL AND IS DISCLOSED TO YOU ON CONDITION THAT NO FURTHER DISCLOSURE IS MADE BY YOU TO OTHER THAN AMP PERSONNEL WITHOUT WRITTEN AUTHORIZATION FROM AMP (TAIWAN) LTD. DIMENSIONS IN MILLIMETERS. DO NOT SCALE PRINT.

PRINT
DW

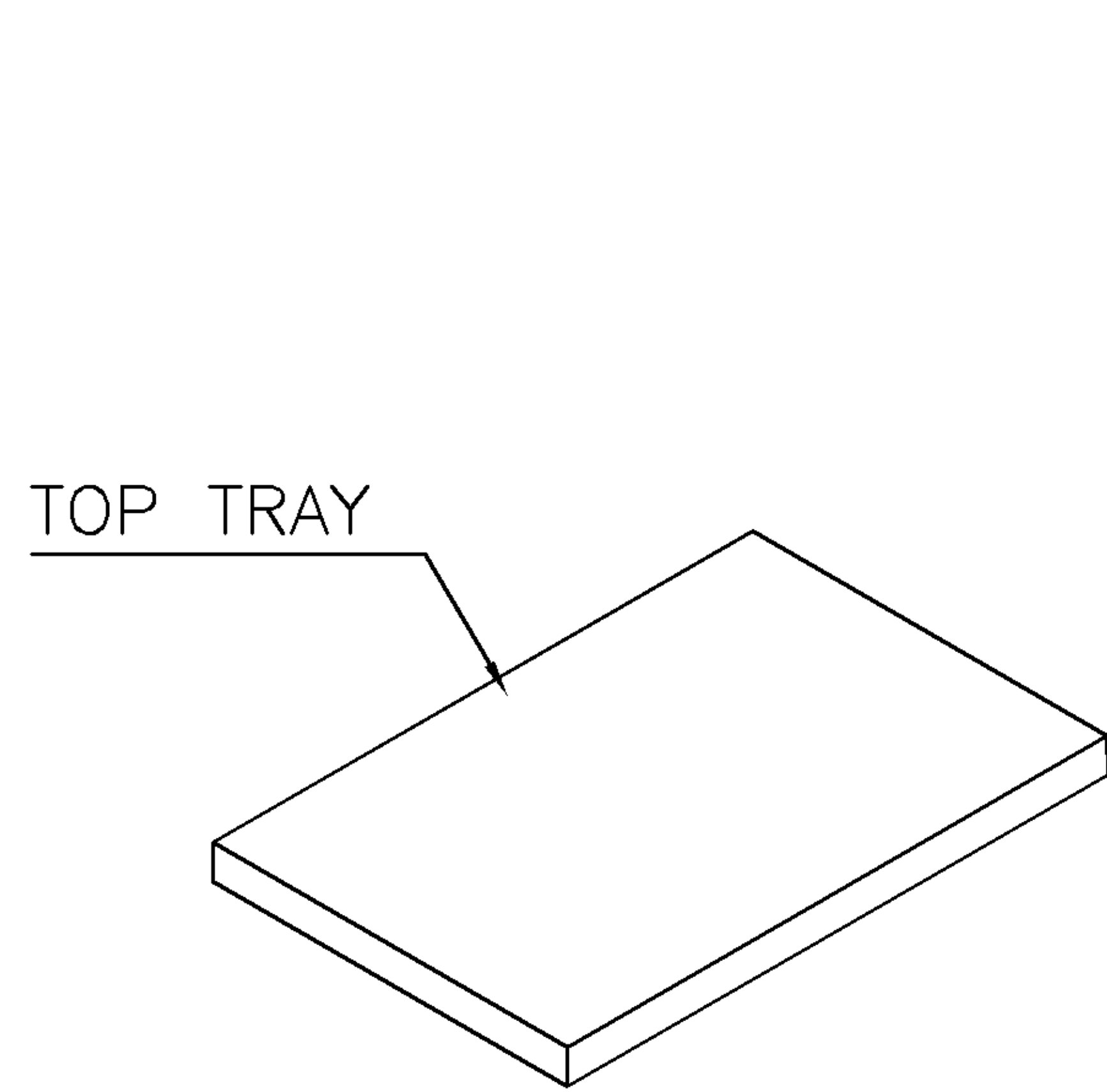
NUMBER
C-1734719



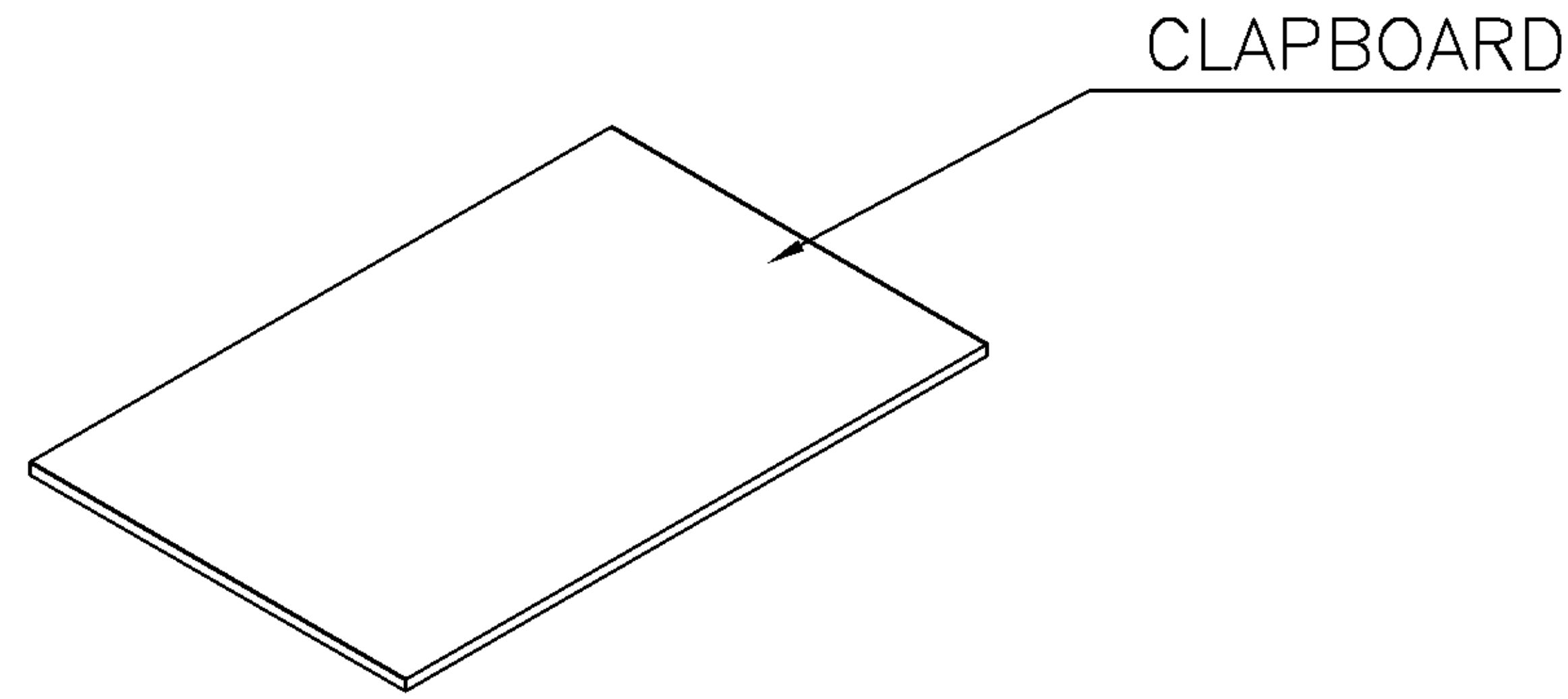
METRIC

THIS INFORMATION IS CONFIDENTIAL AND IS DISCLOSED TO YOU ON CONDITION THAT NO FURTHER DISCLOSURE IS MADE BY YOU TO OTHER THAN AMP PERSONNEL WITHOUT WRITTEN AUTHORIZATION FROM AMP (TAIWAN) LTD. DIMENSIONS IN MILLIMETERS. DO NOT SCALE PRINT.

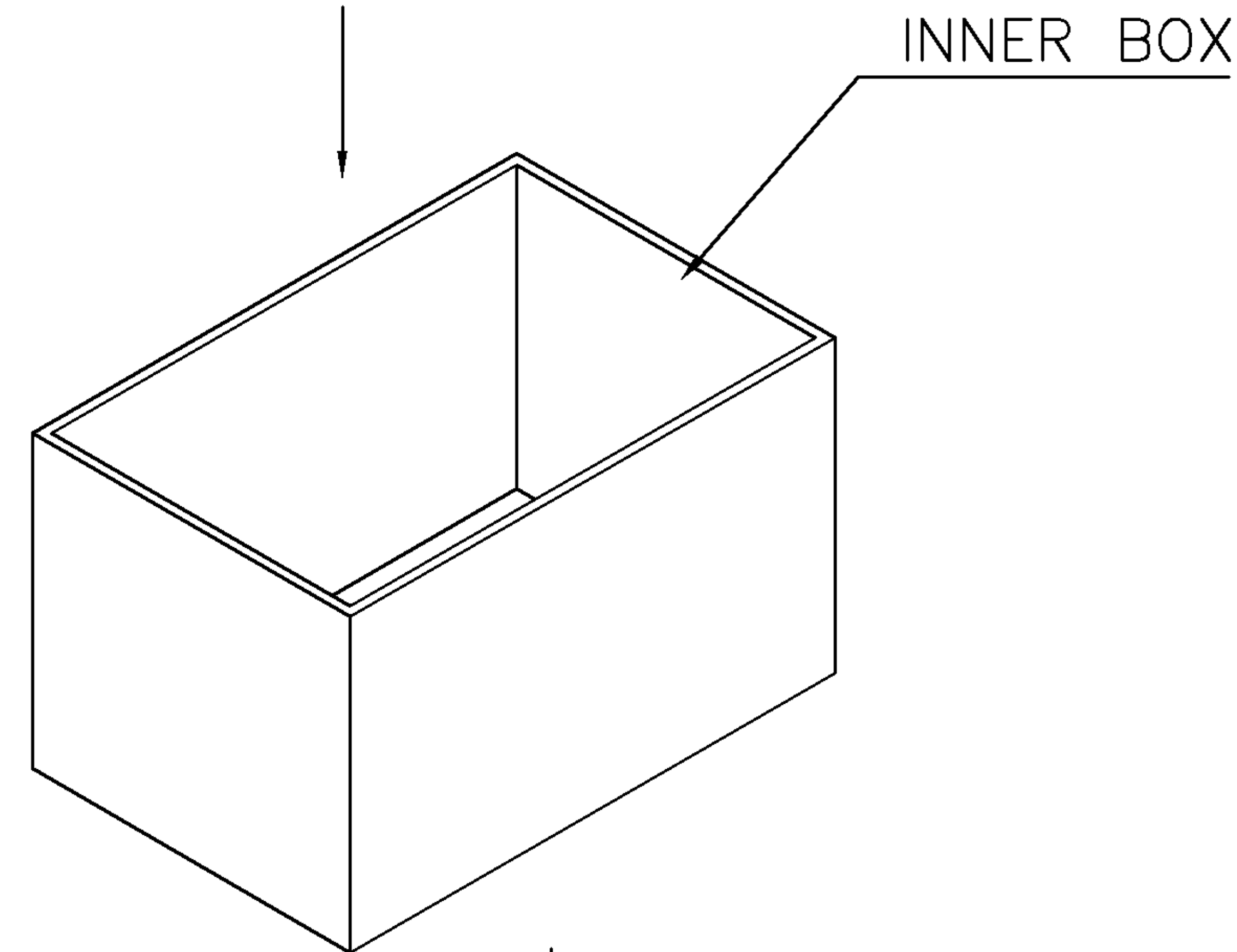
PRINT DIST
DW



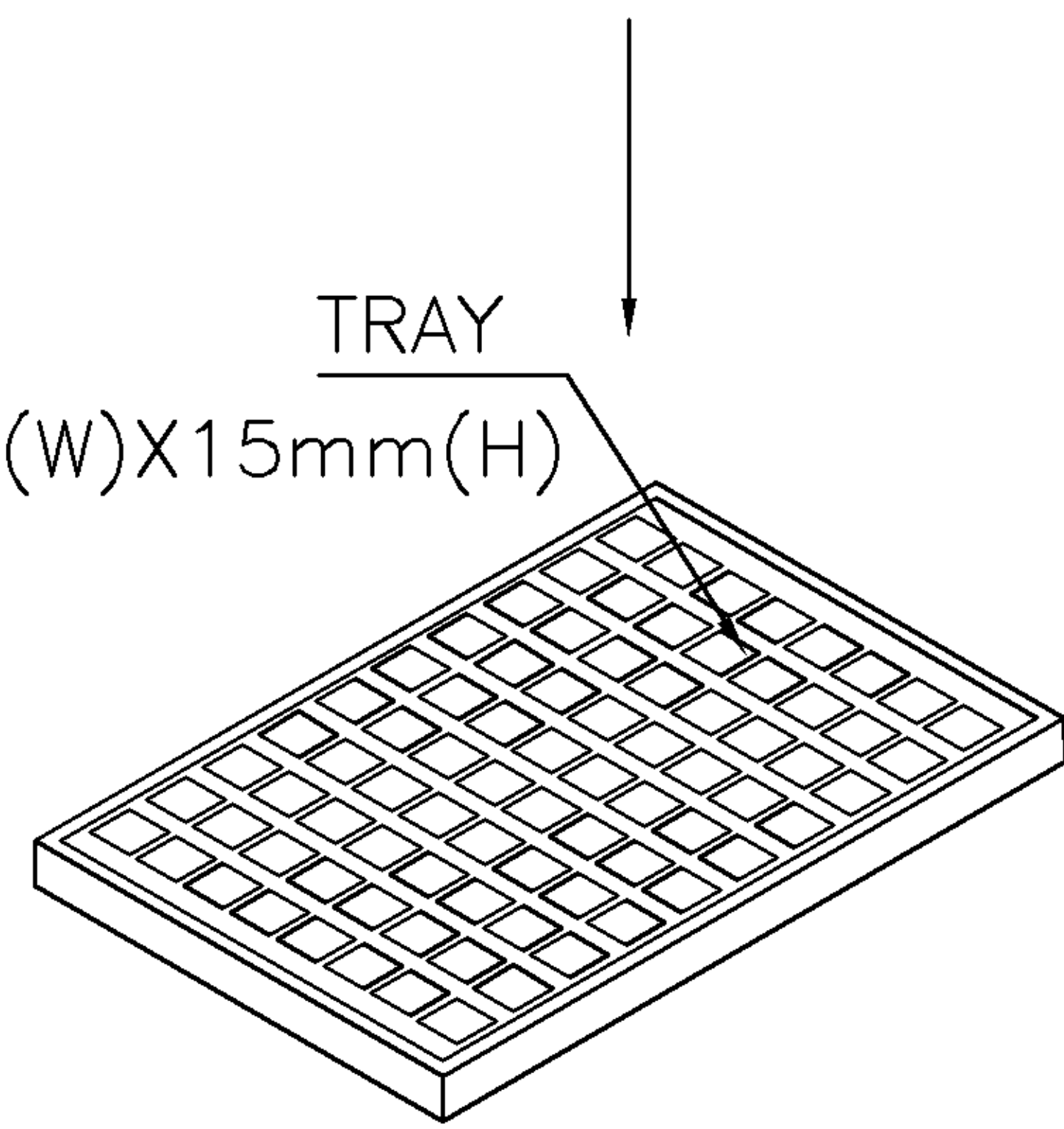
TOP TRAY



CLAPBOARD



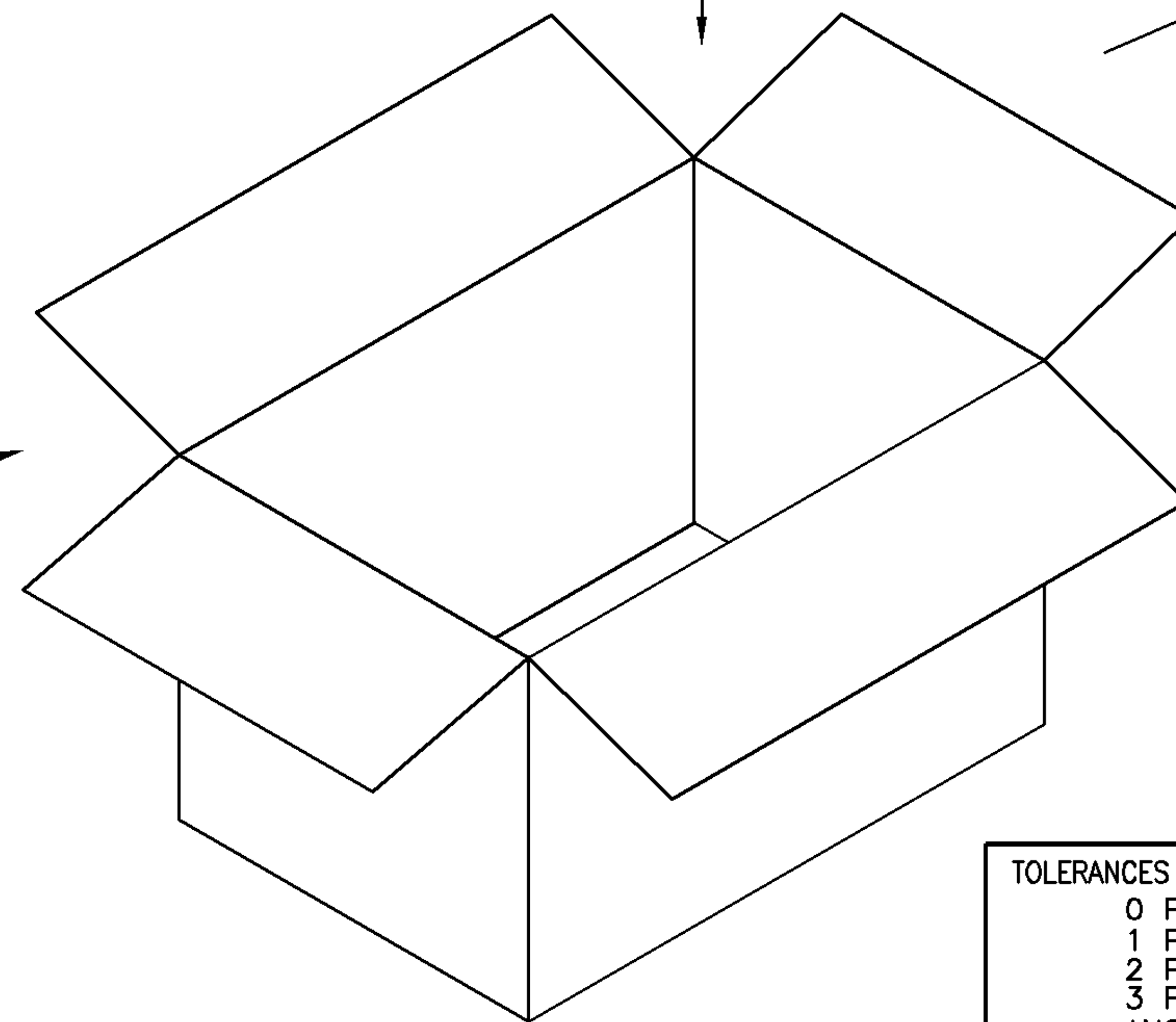
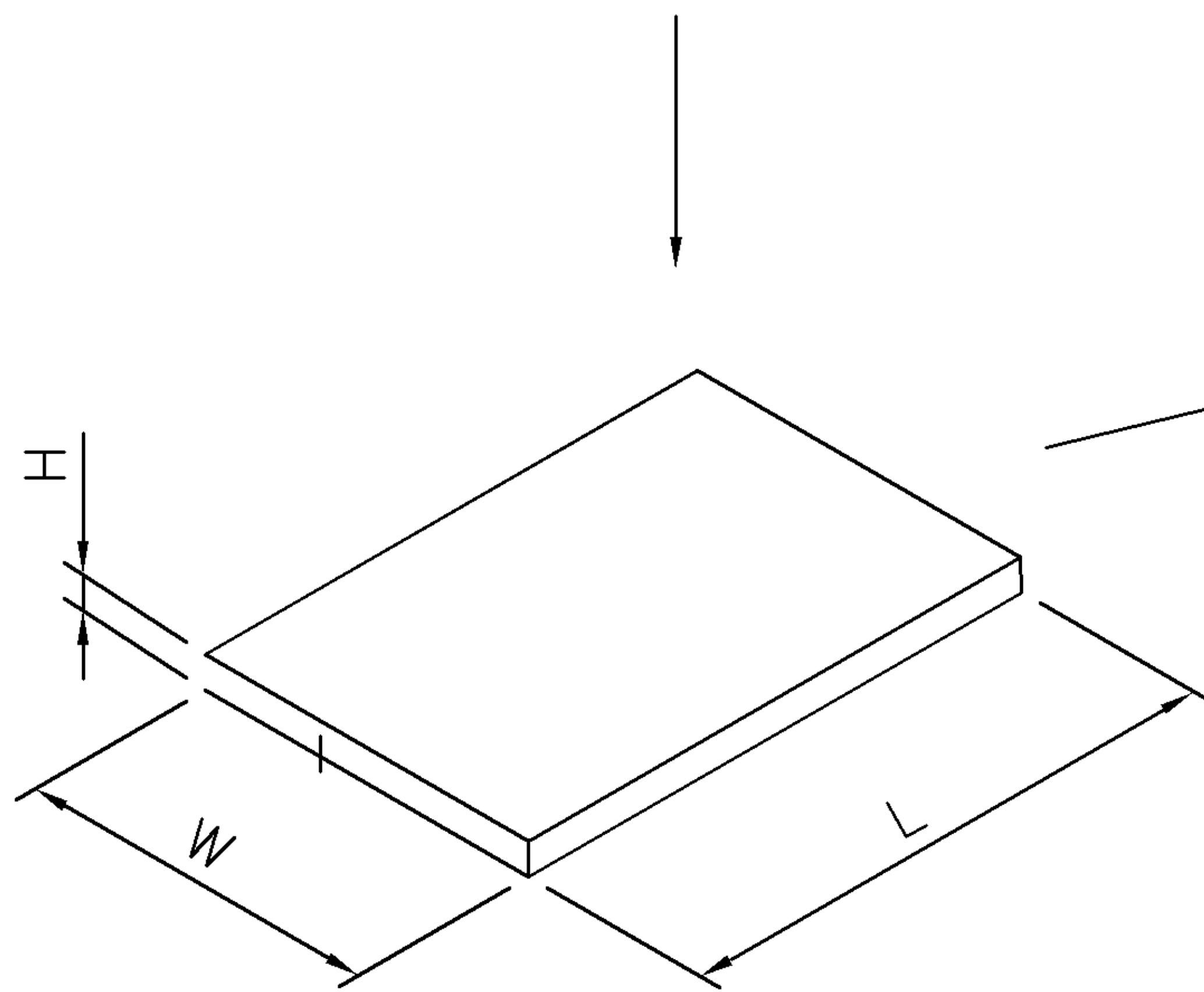
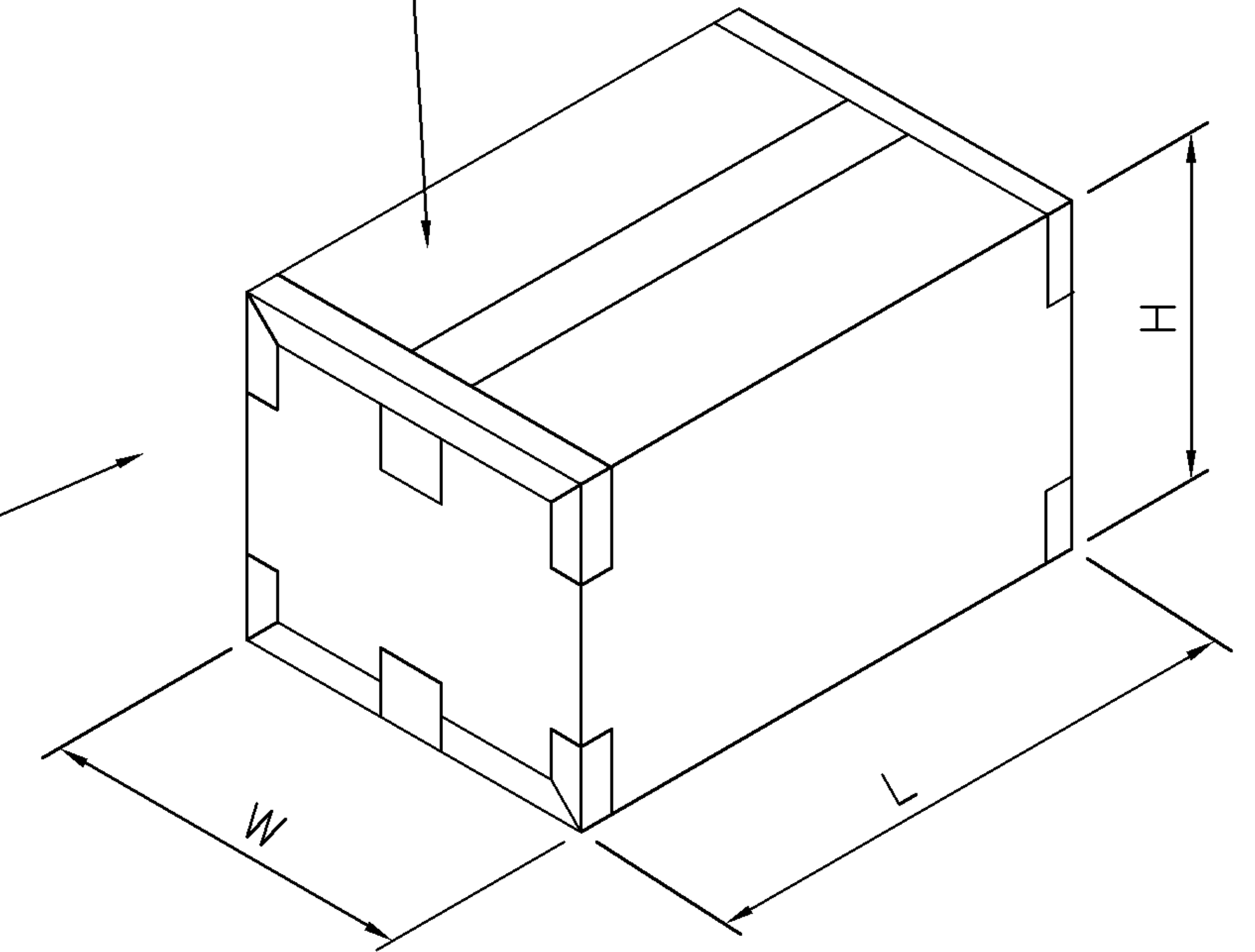
INNER BOX



TRAY

330mm(L)X225mm(W)X15mm(H)
80 PCS/TRAY

CARTON
370mm(L)X255mm(W)X220mm(H)
11 TRAY/CARTON
TOTAL: 880 PCS
GROSS WEIGHT: 5Kg Ref.



| | | | | |
|--|----------|------------------|-------------|--|
| TOLERANCES UNLESS OTHERWISE SPECIFIED: | | DWN. | O. HU | tyco TYCO HOLDINGS (BERMUDA) Electronics VII LTD. TAIWAN BRANCH |
| 0 PLC ± | | 13-DEC-2005 | S. HOU | |
| 1 PLC ± | | CHK. | 13-DEC-2005 | NAME |
| 2 PLC ± | | APVD. | W.J. KE | MODULAR JACK, RJ45, SINGLE ENTRY, DIP TYPE |
| 3 PLC ± | | PRODUCT SPEC | 13-DEC-2005 | |
| ANGLES ± | | APPLICATION SPEC | LOC | SIZE |
| MATERIAL | SEE NOTE | WEIGHT | DW | A ₃ |
| FINISH | SEE NOTE | | SCALE | DRAWING NO |
| | | | | C-1734719 |
| | | | | REV |
| | | | | A |
| | | | | SHEET |
| | | | | 3 OF 4 |

| | | | | |
|-----|-----------------|-----|-----|------|
| | SEE SHEET 1. | | | |
| LTR | REVISION RECORD | ECN | DR | DATE |
| | | | CHK | |

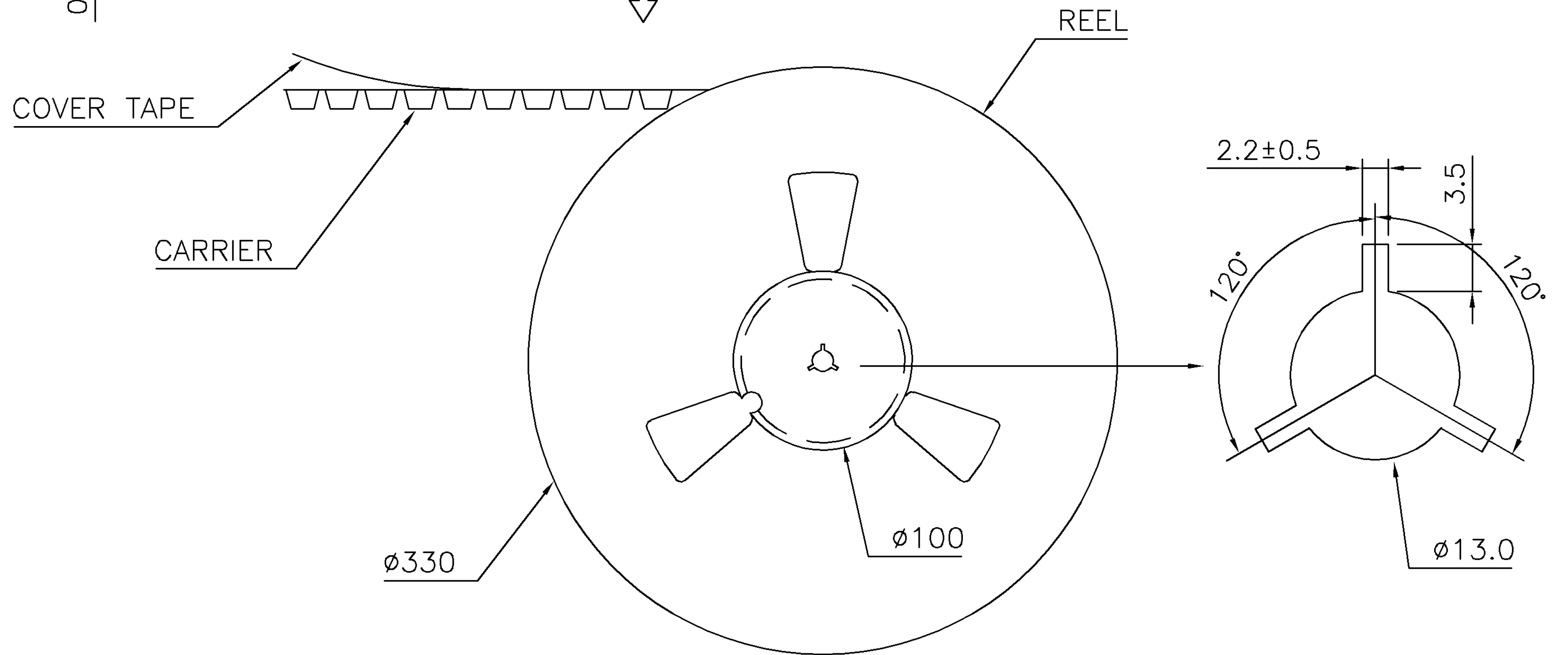
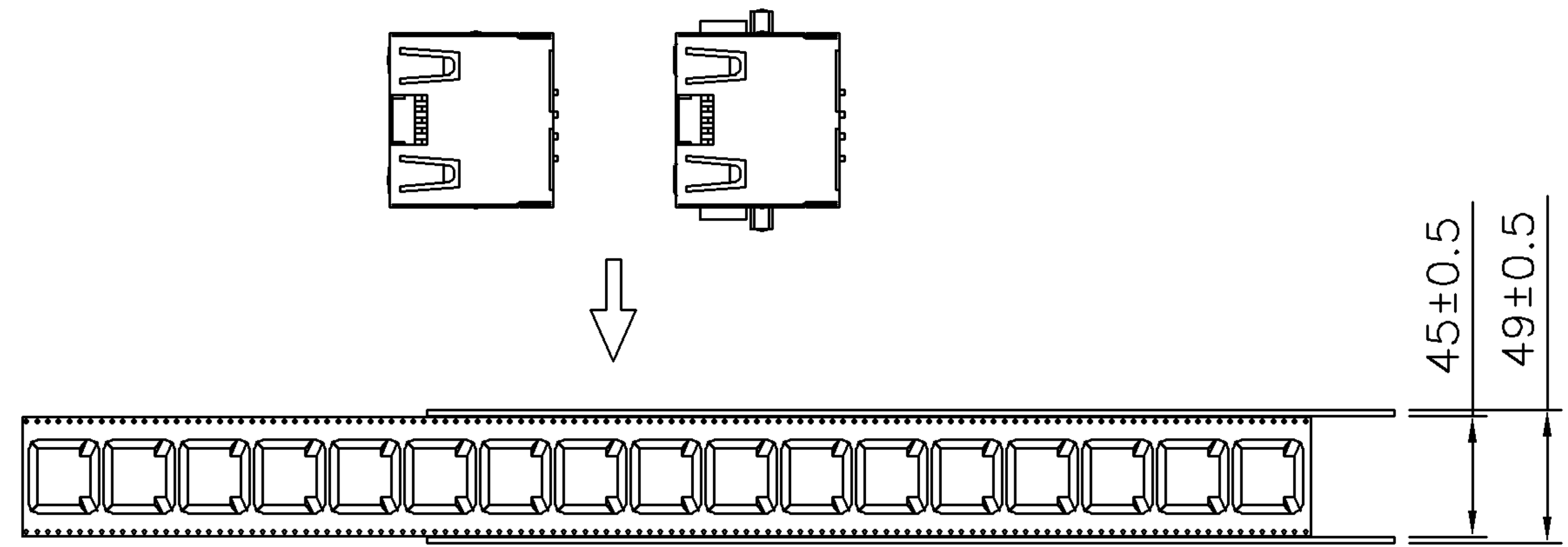
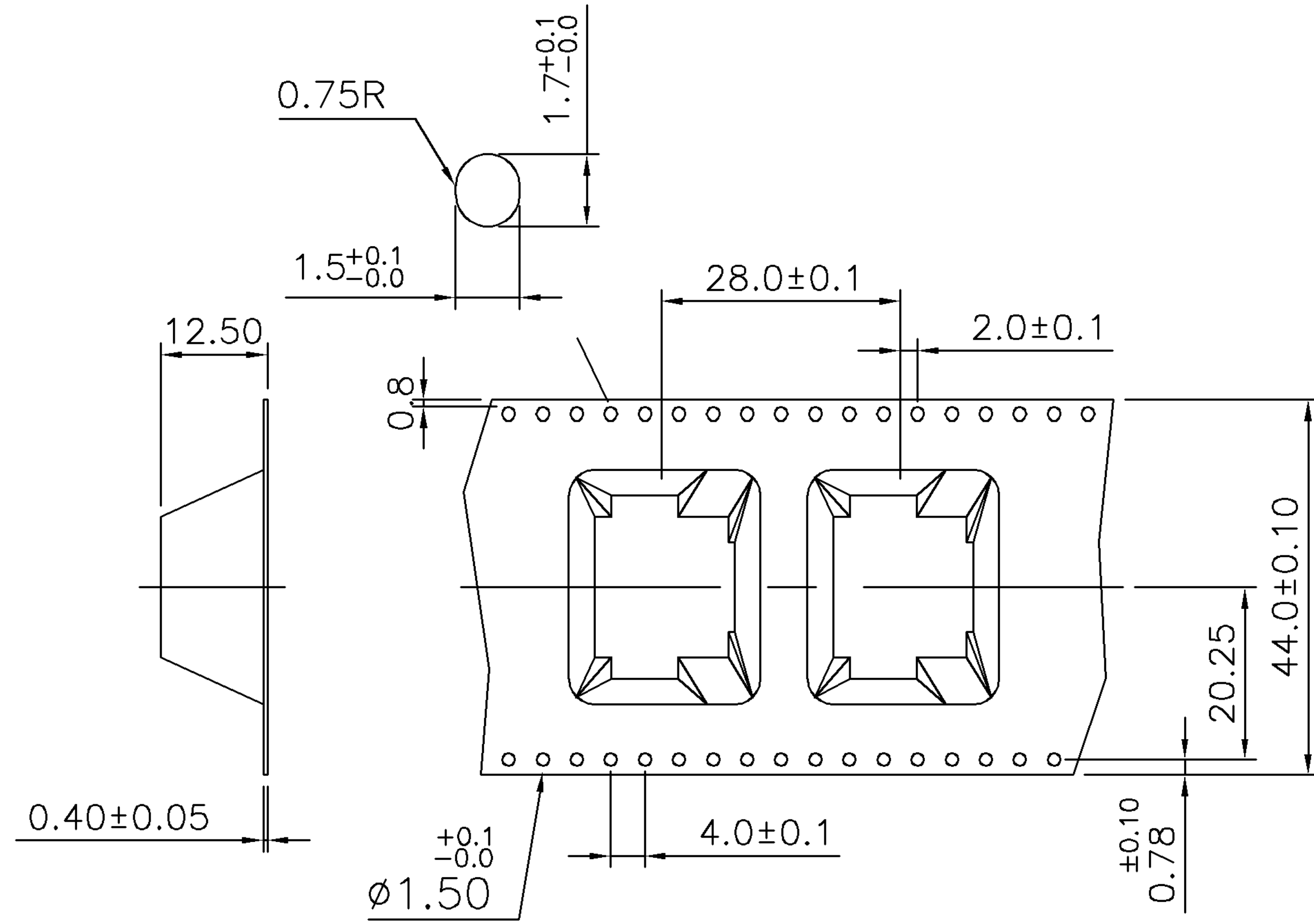
8 7 6 5 4 3 2 1 CUSTOMER DRAWING

THIS INFORMATION IS CONFIDENTIAL AND IS DISCLOSED TO YOU ON CONDITION THAT NO FURTHER DISCLOSURE IS MADE BY YOU TO OTHER THAN AMP PERSONNEL WITHOUT WRITTEN AUTHORIZATION FROM AMP (TAIWAN) LTD. DIMENSIONS IN MILLIMETERS. DO NOT SCALE PRINT.

NUMBER
C-1734719

METRIC

3RD ANGLE PROJECTION



NOTES:

- A. THE DIRECTION OF JACKS PUT INTO CARRIER.
- B. 10 EMPTY CAVITIES FOR BOTH OF TOP AND BOTTOM OF THE CARRIER.
- C. 200 PCS PRODUCTS BE PACKAGED ONE REEL.
- D. CARTON SIZE: 345(L)X345(W)X315(H)
6 REEL/CARTON
TOTAL: 1200 PCS

| | | | | | | | |
|--|----------|------------------|-------------|---|----------------|------------|-----|
| TOLERANCES UNLESS OTHERWISE SPECIFIED: | | DWN. | O. HU | TYCO HOLDINGS (BERMUDA) VII LTD. TAIWAN BRANCH | | | |
| 0 PLC | ± | | 13-DEC-2005 | | | | |
| 1 PLC | ± | CHK. | S. HOU | NAME | | | |
| 2 PLC | ± | | 13-DEC-2005 | | | | |
| 3 PLC | ± | APVD. | W.J. KE | MODULAR JACK, RJ45, SINGLE ENTRY, DIP TYPE | | | |
| ANGLES | ± | PRODUCT SPEC | 13-DEC-2005 | | | | |
| MATERIAL | SEE NOTE | APPLICATION SPEC | | LOC | SIZE | DRAWING NO | REV |
| FINISH | SEE NOTE | WEIGHT | | DW | A ₃ | C-1734719 | A |
| | | | | SCALE | SHEET | | |
| | | | | | -- | 4 OF 4 | |

| | | | | | | |
|-------|------|--------------|-----------------|-----|-----|------|
| PRINT | DIST | SEE SHEET 1. | | ECN | DR | DATE |
| DW | | LTR | REVISION RECORD | | CHK | |