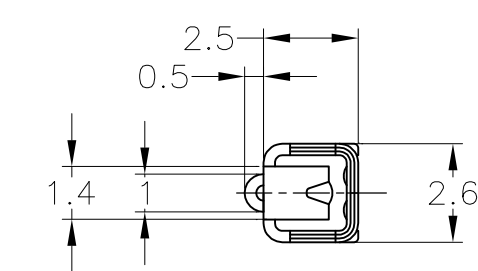


THIS DRAWING IS UNPUBLISHED. RELEASED FOR PUBLICATION
 © COPYRIGHT - By - ALL RIGHTS RESERVED.

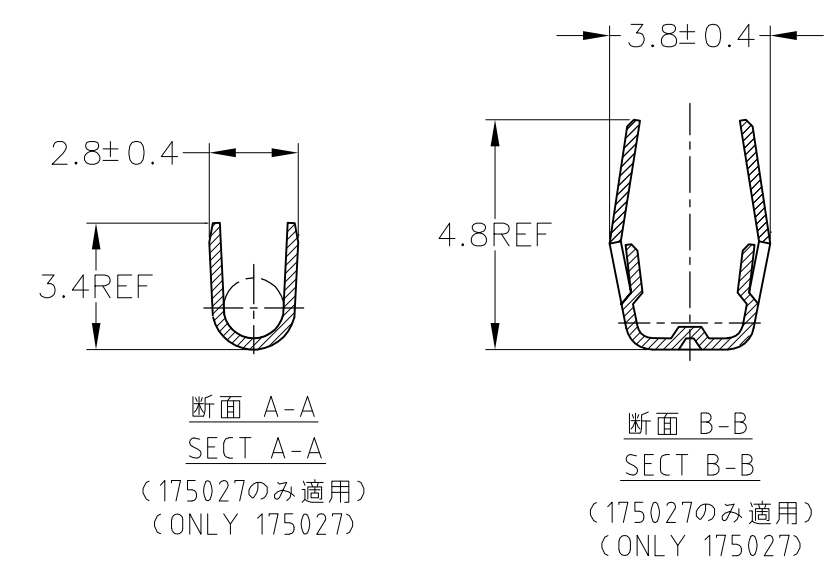
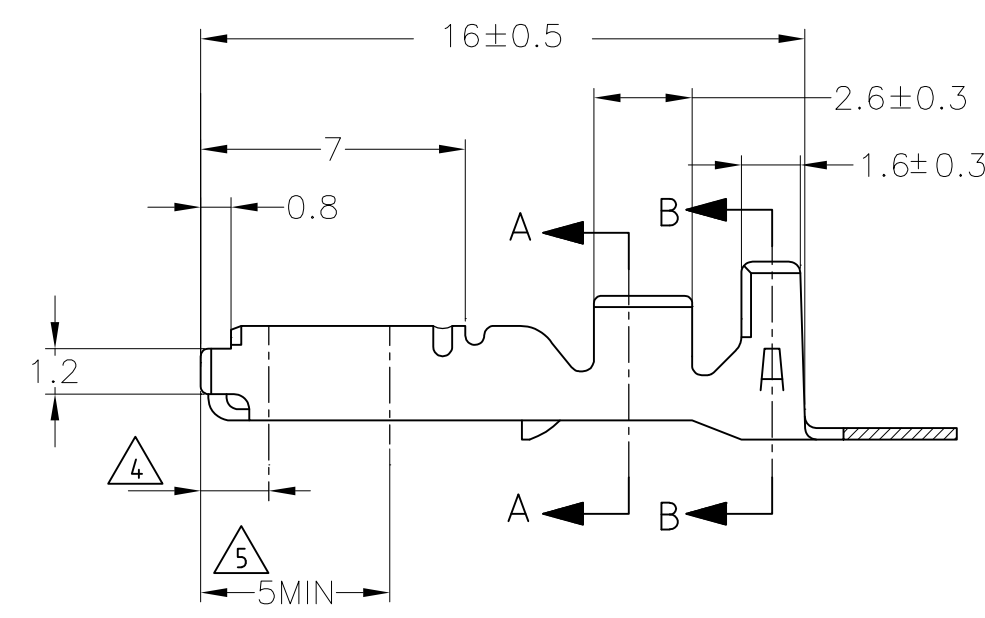
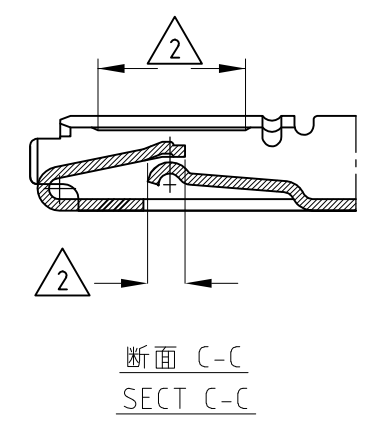
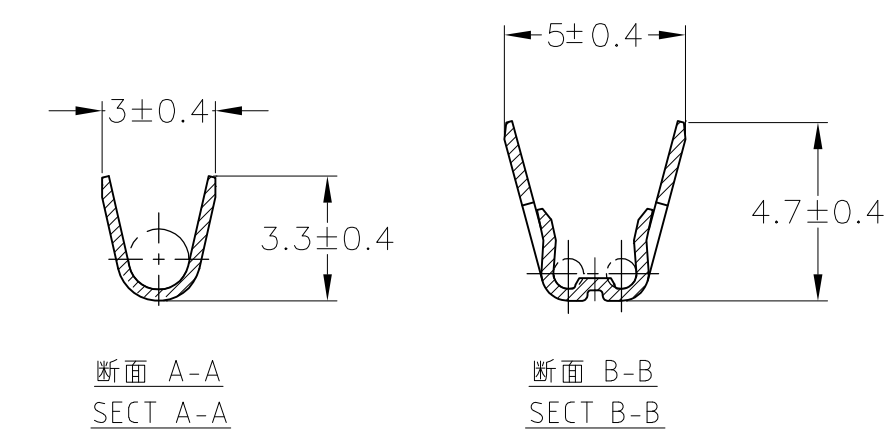
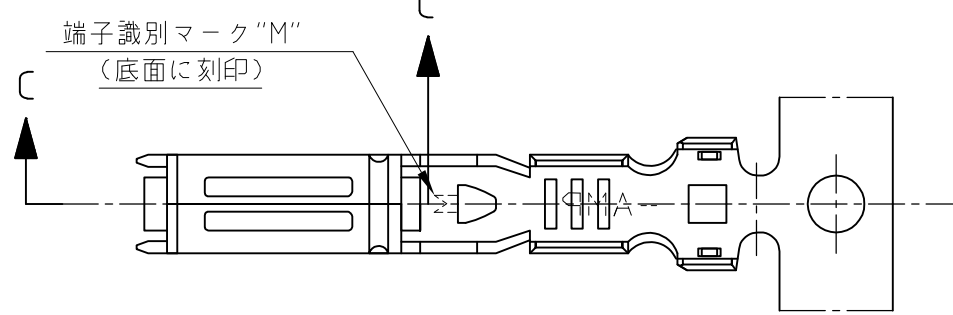
LOC	DIST	REVISIONS		
J	-	P	LTR	DESCRIPTION
				DATE
				DWN
				APVD
		E5		REVISED PER ECO-11-005140
				30MAR11
				RK
				HMR

D
C
B
A

D
C
B
A



WIRE RANGE ID MARK
 ("M" SIZE MARK)
 (STAMPED ON BOTTOM)



- 1. 製品規格; 108-5216, 108-5231, 108-5264, 108-3371
- 2. 部分金めっき
- 3. 取付適用規格; 114-5091
- 4. 識別用金めっき (全周)
- 5. 部分金めっき (両側のみ)

- 1. SPEC; 108-5216, 108-5231, 108-5264, 108-3371
- 2. SELECTIVE GOLD PLATING
- 3. APPLICATION SPEC; 114-5091
- 4. GOLD PLATING FOR DISCERNMENT (ALL AROUND)
- 5. SELECTIVE GOLD PLATING (ONLY BOTH SIDES OF THE BOX)

	5.2	部分金めっき SELECTIVE GOLD	黄銅 板厚0.3 BRASS t0.3	1-173631-2
SEE DRAWING 173631-8				173631-8
175027-7	4.2	部分金めっき SELECTIVE GOLD	リン青銅 板厚0.3 PHOS BRO. t0.3	173631-7
175027-6		錫めっき済み PRE-TINNED	リン青銅 板厚0.3 PHOS BRO. t0.3	173631-6
	4.2	部分金めっき SELECTIVE GOLD	黄銅 板厚0.3 BRASS t0.3	173631-2
175027-1		錫めっき済み PRE-TINNED	黄銅 板厚0.3 BRASS t0.3	173631-1
		パラ端子型番 L/P NUMBER	仕上 FINISH	材料 MATERIAL
				型番 PART NUMBER

TOLERANCE UNLESS OTHERWISE SPECIFIED: 一般公差

0 < x ≤ 10	: ±0.2
10 < x ≤ 30	: ±0.25
30 < x ≤ 100	: ±0.3
ANGLE	: ±3°

THIS DRAWING IS A CONTROLLED DOCUMENT.

DIMENSIONS: 単位: 耗 mm	TOLERANCES UNLESS OTHERWISE SPECIFIED: 一般公差
	0 PLC ± -
	1 PLC ± -
	2 PLC ± -
	3 PLC ± -
	4 PLC ± -
	ANGLES ± -
MATERIAL 材料	FINISH 仕上
SEE TABLE	SEE TABLE

DWN	M.SUGAWARA	12MAY06		TE Connectivity	
CHK	T.SHINOHARA	12MAY06		070 SERIES RECEPTACLE CONTACT	
APVD	K.BETSUI	12MAY06		NAME	名称
PRODUCT SPEC	製品規格		SIZE	CAGE CODE	DRAWING NO
APPLICATION SPEC	取付適用規格		A3	00779	C-173631
WEIGHT	-		RESTRICTED TO	-	
CUSTOMER DRAWING			SCALE	SHEET	REV
			尺度 5:1	1 OF 1	E5