



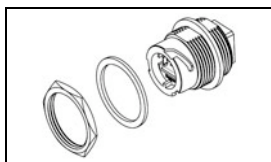
Have a Question?
 Chat with a Product
 Information Specialist

What can we help you find?

[Products](#) |
 [Industries](#) |
 [Resources](#) |
 [About TE](#) |
 [My Account](#) |
 [Innovation](#) |
 [Support Center](#)

1738601-1 Product Details

[Share](#) |
 [Print](#) |
 [Email](#)



1738601-1

TE Internal Number: 1738601-1

Active

View 3D PDF

Circular Sealed RJ-45 Connectors and RJ-45 Field Installable Plugs

Always EU RoHS/ELV Compliant (Statement of Compliance)

Product Highlights:

- Connector
- Product Style = Circular
- Connector Style = Receptacle - Pass Through
- Not Shielded
- Mount Type = Panel Mount

[View all Features](#)

Quick Links

- ▶ [Pricing & Availability](#)
- ▶ [Search for Tooling](#)
- ▶ [Product Feature Selector](#)
- ▶ [Contact Us About This Product](#)

[Add to My Part List](#) |
 [Request Sample](#) |
 [Find Similar Products](#) |
 [Buy Product](#)

Documentation & Additional Information	
<p>Product Drawings:</p> <ul style="list-style-type: none"> • RECEPTACLE KIT, INDUSTRIAL CIRCULAR ETHERNET CONNECTOR (PDF, English) <p>Catalog Pages/Data Sheets:</p> <ul style="list-style-type: none"> • INDUSTRIAL_ETHERNET_PRODUCTS (PDF, English) • PCB_MOUNT_IP67_ODVA CONNECTORS (PDF, English) • INDUSTRIAL_ETHERNET_CABLE_ASSEMBLIES (PDF, English) <p>Product Specifications:</p> <ul style="list-style-type: none"> • Industrial Circular Ethernet Connector System (PDF, English) <p>Application Specifications:</p> <ul style="list-style-type: none"> • Industrial Circular Ethernet Panel-Mount Connector S... (PDF, English) <p>Instruction Sheets:</p> <ul style="list-style-type: none"> • Industrial Circular Ethernet Panel-Mount Connector S... (PDF, English) <p>CAD Files: (CAD Format & Compression Information)</p> <ul style="list-style-type: none"> • 2D Drawing (DXF, Version C) • 3D Model (IGES, Version C) • 3D Model (STEP, Version C) 	<p>Additional Information:</p> <ul style="list-style-type: none"> • Product Line Information <p>Related Products:</p> <ul style="list-style-type: none"> • Tooling

[List all Documents](#)

Product Features (Please use the Product Drawing for all design activity)	
<p>Product Type Features:</p> <ul style="list-style-type: none"> • Product Type = Connector • Product Style = Circular • Grade = Industrial Ethernet • Wiring Pattern = RJ45 • Performance Category = Cat 5e • Coupling Nut Material = Brass <p>Electrical Characteristics:</p> <ul style="list-style-type: none"> • Shielded = No <p>Termination Features:</p> <ul style="list-style-type: none"> • Interface Type = Open Device-Net Vendors Association (ODVA) <p>Body Features:</p> <ul style="list-style-type: none"> • Mount Type = Panel Mount • O-Ring Material = Elastomer <p>Contact Features:</p> <ul style="list-style-type: none"> • Contact Base Material = Phosphor Bronze • Contact Plating = Gold over Nickel 	<p>Housing Features:</p> <ul style="list-style-type: none"> • Connector Style = Receptacle - Pass Through • Housing Material = Polyester • Housing Color = Black <p>Configuration Features:</p> <ul style="list-style-type: none"> • Number of Positions = 8 <p>Industry Standards:</p> <ul style="list-style-type: none"> • RoHS/ELV Compliance = RoHS compliant, ELV compliant • Lead Free Solder Processes = Not relevant for lead free process • RoHS/ELV Compliance History = Always was RoHS compliant <p>Conditions for Usage:</p> <ul style="list-style-type: none"> • Applies To = Panel <p>Other:</p> <ul style="list-style-type: none"> • Comment = See drawing for additional product information.; Front or Rear Panel Mounting.; Coupler lines crossover between ports.

Corporate Information

[About TE](#)
[Investors](#)

Quick Links

[Distributor Inventory](#)
[Product Cross Reference](#)

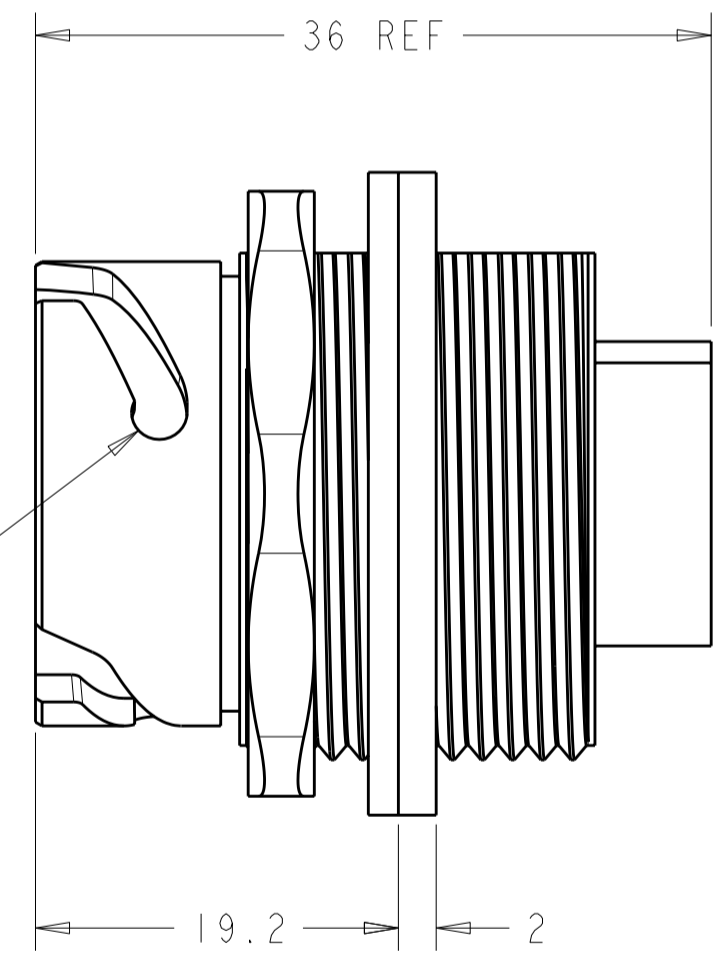
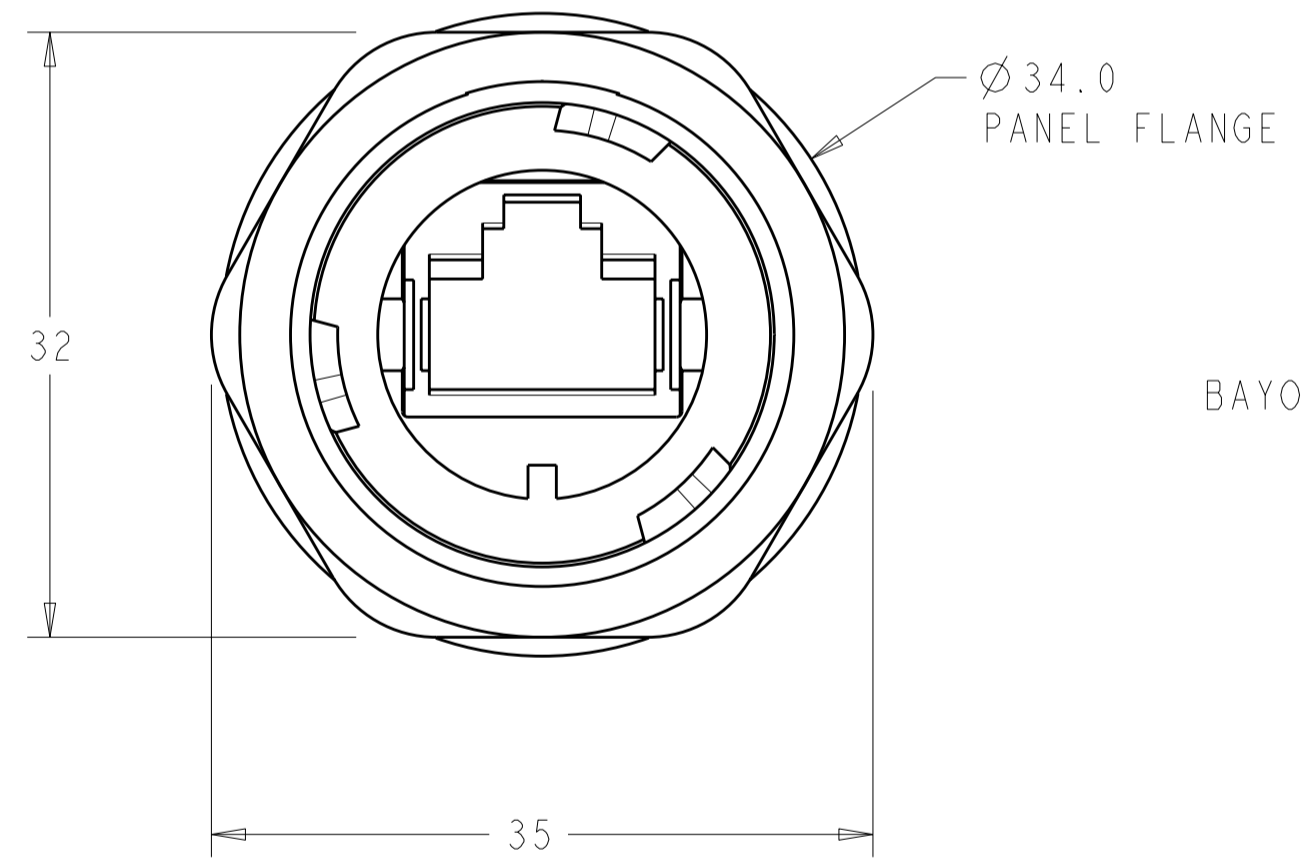
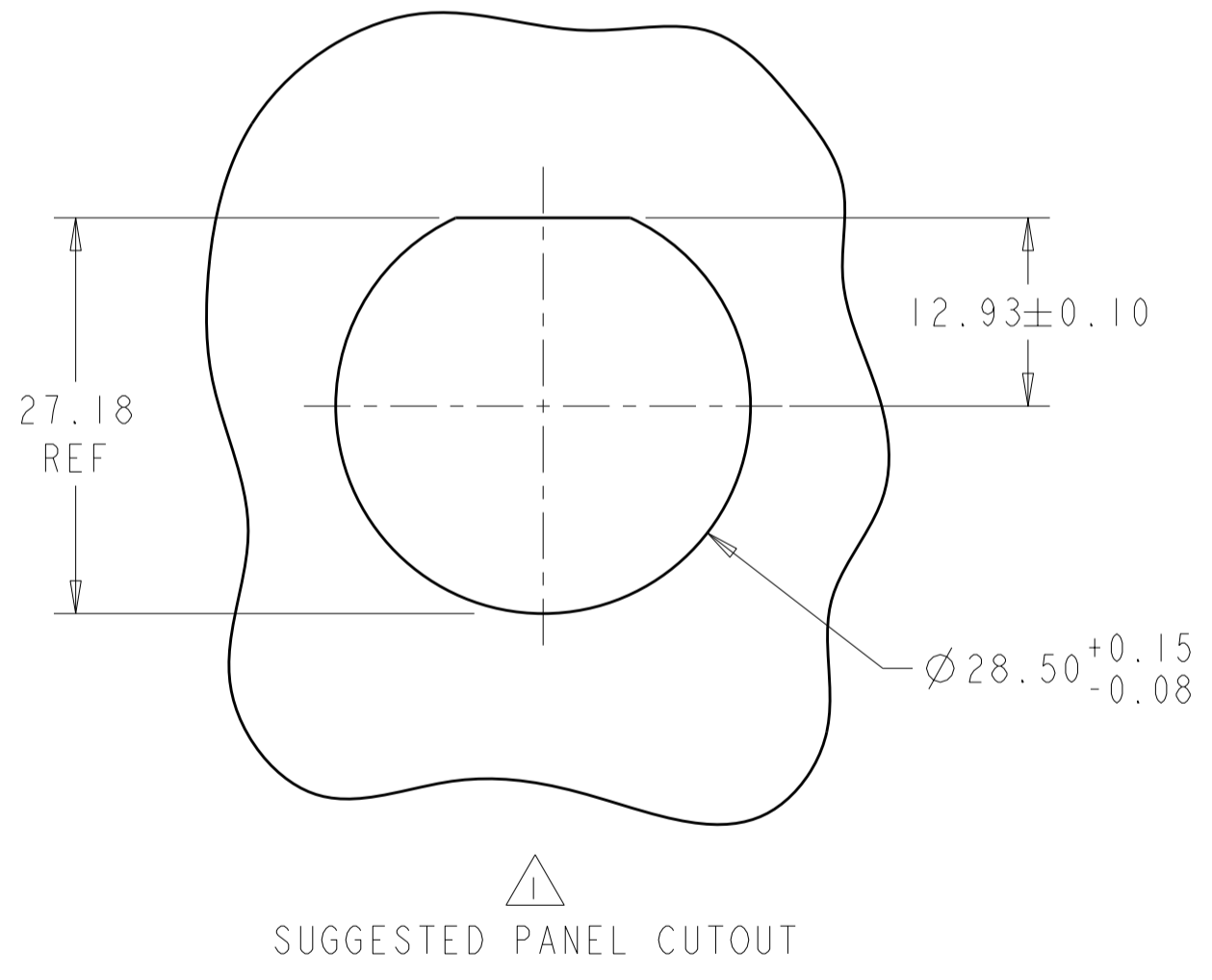
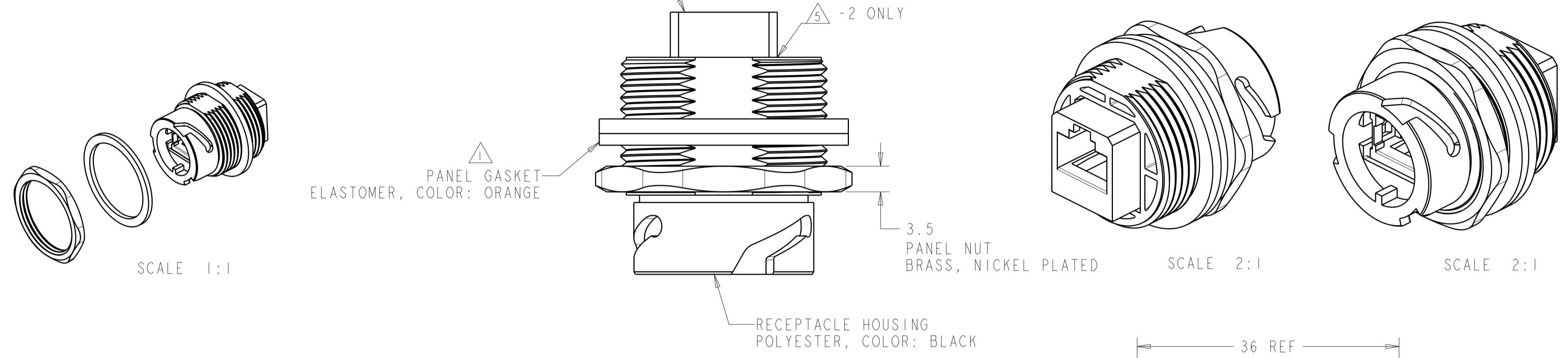
Customer Support

[Email or Chat With Us](#)
[Find a Phone Number](#)

THIS DRAWING IS UNPUBLISHED. RELEASED FOR PUBLICATION 20
 © COPYRIGHT 20 BY - ALL RIGHTS RESERVED.

LOC		DIST		REVISIONS			
P	LTR	DESCRIPTION	DATE	DWN	APVD		
	CI	REVISED PER ECO-11-004820	11MAR2011	RK	HMR		

COUPLER, RJ-45
 CATEGORY: SEE TABLE, 8 POSITION
 HOUSING: THERMOPLASTIC
 CONTACTS: PHOSPHOR BRONZE, GOLD OVER NICKEL



CAT 6e	NO	1738601-3
CAT 5e	5	1738601-2
CAT 5e	NO	1738601-1
CATEGORY	COUPLER BONDED	PART NUMBER

- CONNECTOR MAY BE FRONT OR REAR MOUNTED TO A MAXIMUM PANEL THICKNESS OF 3.2 mm.
- COUPLER LINES CROSSOVER BETWEEN PORTS.
- THIS PRODUCT HAS NOT COMPLETED VALIDATION TESTING.
- PANEL NUT AND PANEL GASKET ARE PACKAGED UNASSEMBLED IN POLYBAG.
- COUPLER BONDED TO HOUSING BY ADHESIVE ALONG EDGE WHERE COUPLER MEETS HOUSING, SEE TABLE.

THIS DRAWING IS A CONTROLLED DOCUMENT.

DIMENSIONS:	TOLERANCES UNLESS OTHERWISE SPECIFIED:	DWN	R.L. KOLLER	25MAR04
mm	0 PLC ±0.3	CHK	J. LANDIS	26MAR04
	1 PLC ±0.2	APVD	S. HEADER	17JUN
	2 PLC ±0.10	PRODUCT SPEC		
	3 PLC ±	APPLICATION SPEC		
	4 PLC ±	114-13136		
MATERIAL	ANGLES ±1°	WEIGHT		
	FINISH			

NAME: RECEPTACLE KIT, INDUSTRIAL CIRCULAR ETHERNET CONNECTOR

SIZE: A2 CAGE CODE: 00779 DRAWING NO: 1738601 RESTRICTED TO: -

CUSTOMER DRAWING SCALE: 5:2 SHEET 1 OF 1 REV: CI