

Industrial Circular Ethernet–Sealed RJ-45 Connectors

DESCRIPTION

Issued 04/05 1773404

- This new, rugged connector series meets the Ethernet/IP RJ45 requirements/standards. Designed for use in harsh environments, the connector features a quick-connect bayonet coupling mechanism per the ODVA interoperability interface specification.

APPLICATIONS

- Industrial machinery, Diagnostic equipment, Communications equipment, Printers, and any potential application where Ethernet is used where the connector requirement calls for a sealed, rugged connector interface



KEY FEATURES

- For Category 5e cables
- Sealing performance per IP 67
- Protective cover available for the receptacles
- Positive lock coupling ring provides reliable connections in harsh environments
- Available pass-through and field installable receptacle styles
- Bulkhead receptacle mounts to either outside or inside panel cutout

ELECTRICAL

- Meets TIA/EIA-568 Category 5e link requirements

MECHANICAL

- Positive lock coupling ring
- Polarized for proper mating between the connector halves

MATERIALS

- Housings, Coupling ring: ULU 94V-0
- Cable fitting, Modular plug, Tether: ULU 94V-2
- Gasket, Seal: ULU 94 HBF
- UV resistant housing material
- Operating range: -40°C to +85°C [-40°F to +185°F]

STANDARDS & SPECS

- Design Objective: 108-2198

FOR MORE INFORMATION

Technical Support

Internet: www.tycoelectronics.com

E-mail:

newproducts@tycoelectronics.com

USA: 1-800-522-6752

Canada: 1-905-470-4425

Mexico: 01-800-733-8926

C. America: 52-55-5-792-0425

South America: 55-11-3611-1514

Hong Kong: 852-2735-1628

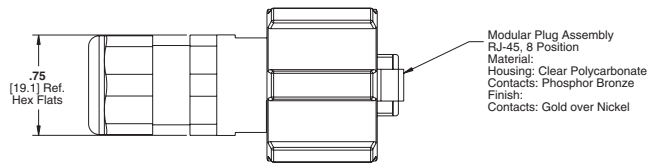
Japan: 81-44-844-8013

UK: 44-141-810-8967

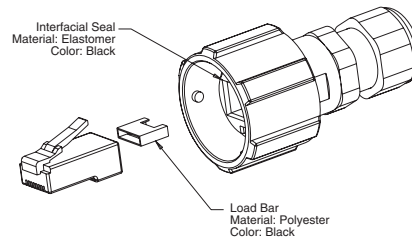
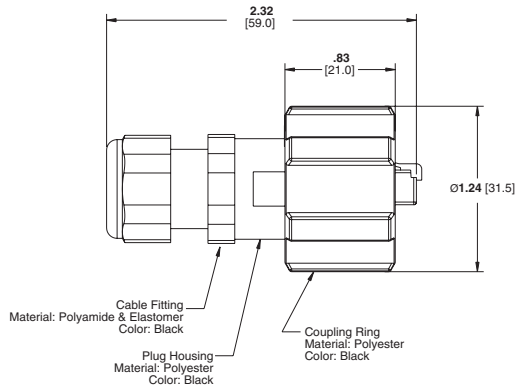
Industrial Circular Ethernet – Sealed RJ-45 Connectors

PRODUCT DIMENSIONS & PRODUCT OFFERING

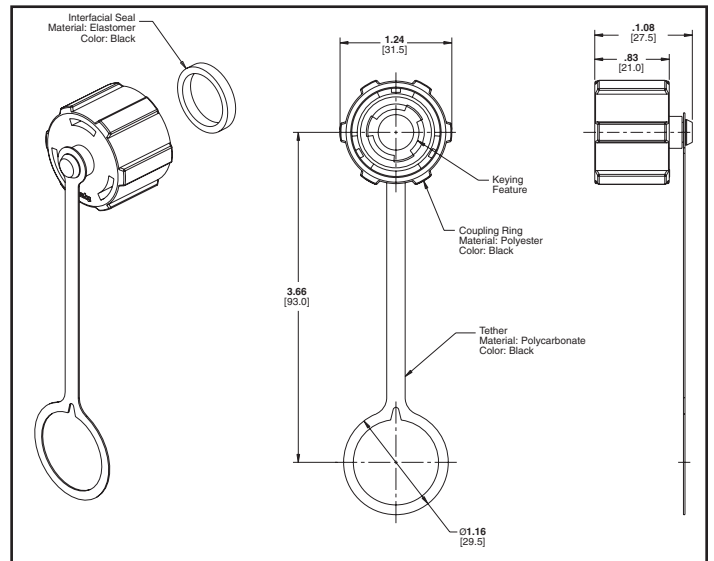
Plug Kit Solid Wire PN 1738607-1



Stranded Wire PN 1738607-2



Protective Cover Assembly, Receptacle PN 1738611-1



Receptacle Kit, Pass-Through PN 1738601-1

