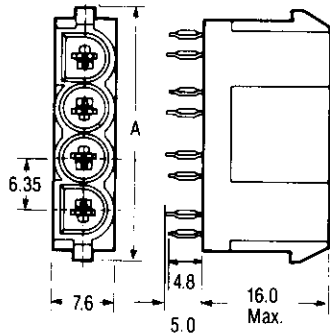


# Wire to Board Connectors Universal MATE-N-LOK Connectors Pin Header with ACTION PIN Post

## Pin Header with ACTION PIN Posts for PC Board Vertical Applications

### Material and Finish :

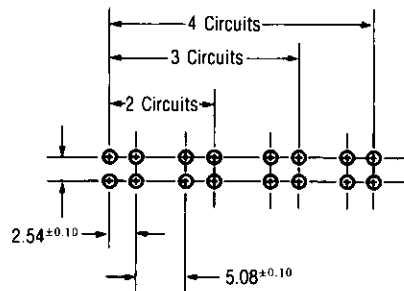
Housing — UL94V-0 rated, P.B.T., Black  
Contact — Copper alloy, tin-lead plated or tin plated on nickel underplated



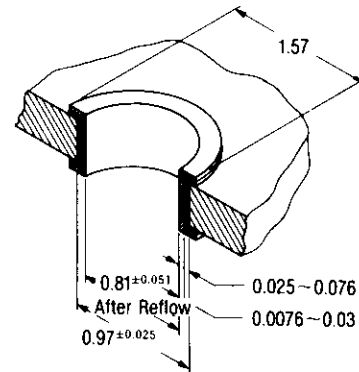
No. of Pos.	Dim. A	Part No. of Pin Headers	Part No. of Mating Housings
2	19.1	173924-1	1-480698-0 350777-1
3	25.4	173925-1	1-480700-0 350766-1
4	31.8	173926-1	1-480702-0 350779-1

Note : Install in PC Board with arbor press.

PC Board Layout



PC Board Hole Dimension



4