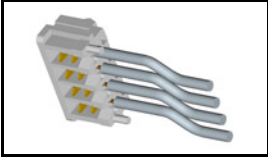


173977-3 Product Details

[Share](#) [Print](#) [Email](#)



173977-3

TE Internal Number: 173977-3

Active

[View 3D PDF](#)

2mm AMP CT Connectors

Always EU RoHS/ELV Compliant
(Statement of Compliance)

Product Highlights:

- Wire-to-Board, Wire-to-Board / Wire-to-Wire, Wire-to-Wire
- Applies To Wire/Cable
- Connector
- Connector Assembly
- Connector Style = Receptacle

[View all Features](#)

Quick Links

- ▶ [Pricing & Availability](#)
- ▶ [Search for Tooling](#)
- ▶ [View Mating Products \(14\)](#)
- ▶ [Product Feature Selector](#)
- ▶ [Contact Us About This Product](#)

[Add to My Part List](#) [Request Sample](#) [Find Similar Products](#)

[Buy Product](#)

Documentation & Additional Information

Product Drawings:

- [MT REC HOUSING ASS'Y \(AMP CT CONNECTOR 2mm PITCH \)](#) (PDF, English)

Catalog Pages/Data Sheets:

- [2.0MM_AMP_CT_CONNECTOR_SERIES_QUICK_REF_GUIDE](#) (PDF, English)
- [POWER_CONNECTORS_CATALOG_SEC02_CABLE_MOUNTED](#) (PDF, English)

Product Specifications:

- [AMP Common Termination \(CT\), Conn, 2mm Pitch, M/T Type](#) (PDF, English)

Application Specifications:

- [AMP Common Termination \(CT\) Connector Termination of...](#) (PDF, English)

Instruction Sheets:

- [MINI PRESS CT CONNECTOR \(WAS IS-553J\)](#) (PDF, Japanese)

CAD Files: (CAD Format & Compression Information)

- [2D Drawing](#) (DXF, Version M)
- [3D Model](#) (IGES, Version M)
- [3D Model](#) (STEP, Version M)

[List all Documents](#)

Additional Product Images:

- [Typical Application](#)

Related Products:

- [Tooling](#)
- [Mating Products \(14\)](#)

Product Features (Please use the Product Drawing for all design activity)

Product Type Features:

- [Product Type](#) = Connector
- [Connector Type](#) = Connector Assembly
- [Termination Method to Wire/Cable](#) = Insulation Displacement Crimp (IDC)
- [Sealed](#) = No
- [UL File Number](#) = E28476
- [CSA File Number](#) = LR 7189

Electrical Characteristics:

- [Contact - Rated Current \(A\)](#) = 2
- [Operating Voltage Reference](#) = AC/DC, AC, DC

Configuration Features:

- [Number of Positions](#) = 3
- [Number of Rows](#) = 1

Industry Standards:

- [RoHS/ELV Compliance](#) = RoHS compliant, ELV compliant
- [Lead Free Solder Processes](#) = Not relevant for lead free process
- [RoHS/ELV Compliance History](#) = Always was RoHS compliant
- [Agency/Standard](#) = CSA, UL

- Operating Voltage (VAC) = 125
- Operating Voltage (VDC) = 125

Termination Features:

- Wire/Cable Size (AWG) = 26 - 28

Dimensions:

- Length (X-Axis) (mm [in]) = 8.00 [0.314]
- Width (Z-Axis) (mm [in]) = 4.60 [0.181]
- Profile Height (Y-Axis) (mm [in]) = 5.10 [0.200]

Body Features:

- Mating Retention = Without

Contact Features:

- Contact Type = Socket
- Contact Plating, Mating Area, Material = Pre-Tin

Housing Features:

- Connector Style = Receptacle
- Centerline (mm [in]) = 2.00 [0.079]
- Housing Color = Natural
- UL Flammability Rating = UL 94V-0

Environmental:

- Operating Temperature (°C [°F]) = -40 - +105 [-40 - +221]

Conditions for Usage:

- Applies To = Wire/Cable
- Accepts Wire Insulation Diameter, Range (mm [in]) = 0.85 - 1.05 [0.0334 - 0.041]

Operation/Application:

- Application Use = Wire-to-Board, Wire-to-Board / Wire-to-Wire, Wire-to-Wire
- Contact Transmits (Typical Application) = Signal (Data)

Packaging Features:

- Packaging Method = Bag, Box

Other:

- Brand = AMP

Corporate Information

- [About TE](#)
- [Investors](#)
- [News Room](#)
- [Supplier Portal](#)
- [Careers](#)
- [Terms & Conditions](#)
- [Privacy Policy](#)

Quick Links

- [Distributor Inventory](#)
- [Product Cross Reference](#)
- [Documents & Drawings](#)
- [Product Compliance Support Center](#)
- [Site Map](#)

Customer Support

- [Email or Chat With Us](#)
- [Find a Phone Number](#)
- [Knowledge Base](#)
- [Manage Your Account](#)

Keep Me Informed



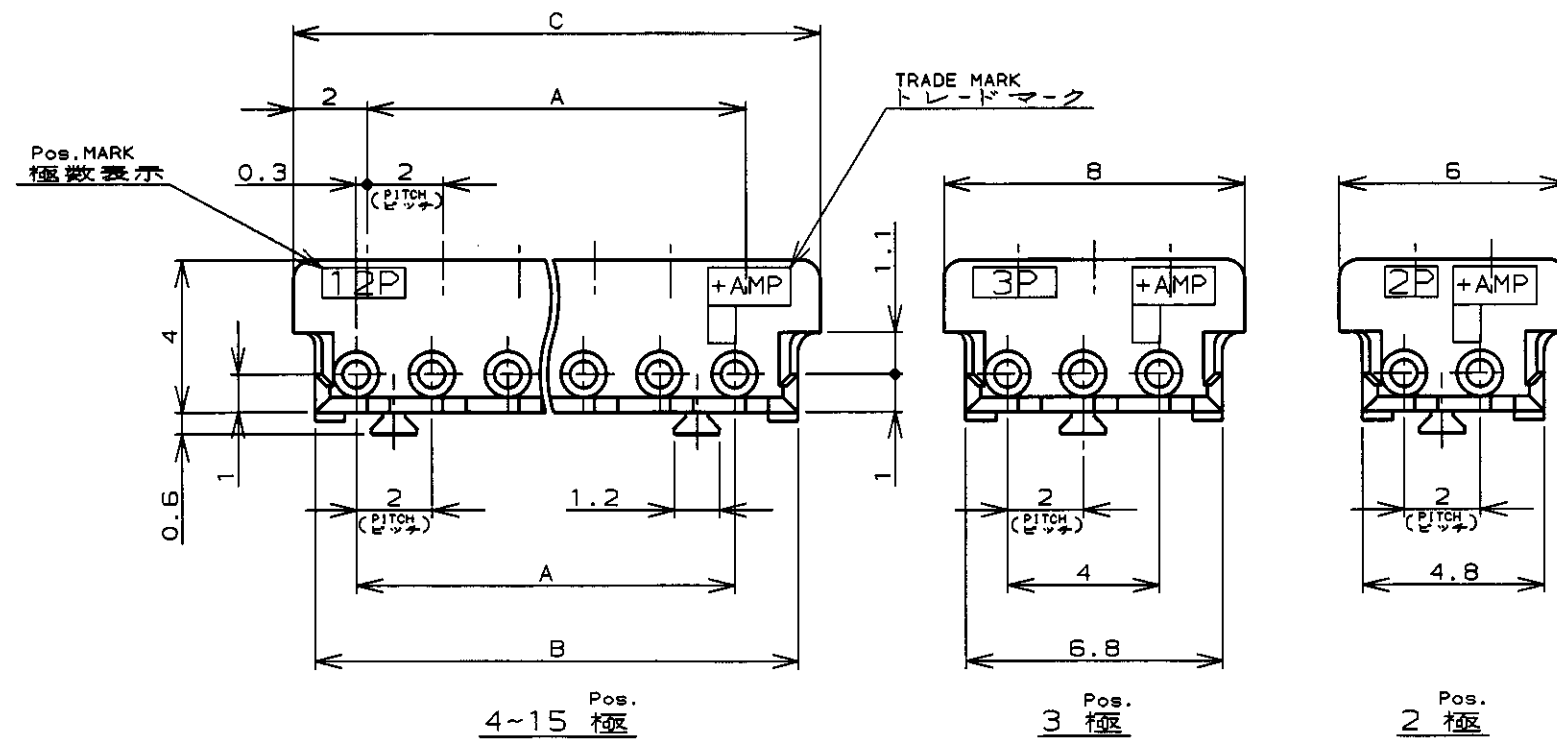
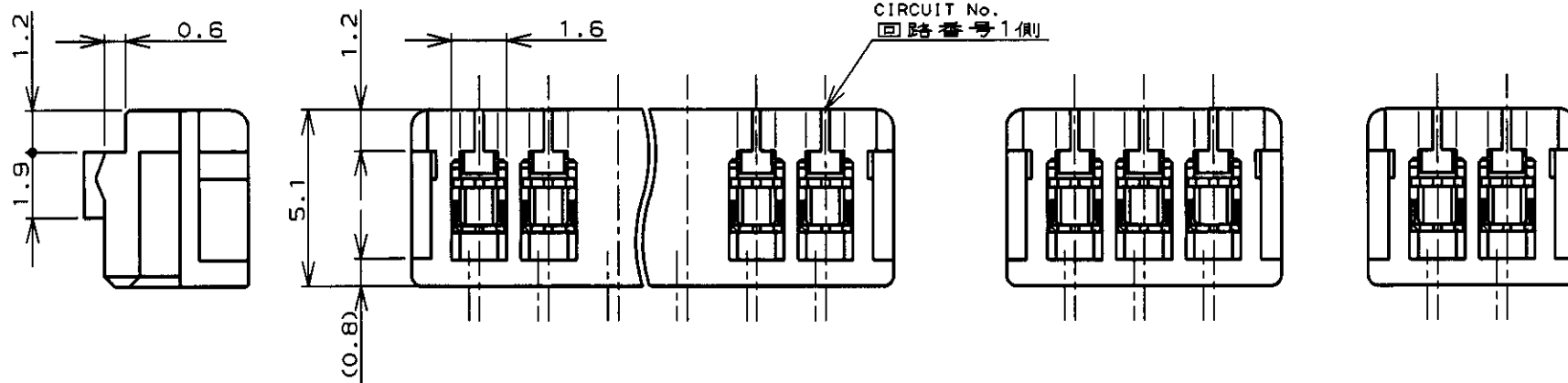
NUMBER C-173977

三角度 (3rd ANGLE PROJECTION)

METRIC

単位: ㎜ DIMENSIONS IN MM. DO NOT SCALE PRINT

PRINT DIST



注記;

- 適用電線範囲 : AWG# 28-26 (UL1571, UL1061)
被覆外径 : 0.83-1.05
- 材料 : ハウジング-ガラス入PBT UL94V-0
コンタクト-錫メッキ済磷青銅
- 運用製品規格番号 : 108-5218
- 取付運用規格番号 : 114-5104

NOTES;

- APPLICABLE WIRE SIZE : AWG# 28-26 (UL1571, UL1061)
INSULATION DIA RANGE : 0.83-1.05
- MATERIAL :
HOUSING : PBT (G.F) UL94V-0
CONTACT : PRE-TIN PHOS-BRONZE
- PRODUCT SPEC : 108-5218
- APPLICATION SPEC : 114-5104

7-173977-5	5-173977-5	3-173977-5	1-173977-5	15	28	30.8	32
7- ↑ -4	5- ↑ -4	3- ↑ -4	1- ↑ -4	14	26	28.8	30
7- -3	5- -3	3- -3	1- -3	13	24	26.8	28
7- -2	5- -2	3- -2	1- -2	12	22	24.8	26
7- -1	5- -1	3- -1	1- -1	11	20	22.8	24
7- -0	5- -0	3- -0	1- -0	10	18	20.8	22
6- -9	4- -9	2- -9		9	16	18.8	20
6- -8	4- -8	2- -8		8	14	16.8	18
6- -7	4- -7	2- -7		7	12	14.8	16
6- -6	4- -6	2- -6		6	10	12.8	14
6- -5	4- -5	2- -5		5	8	10.8	12
6- -4	4- -4	2- -4		4	6	8.8	10
6- -3	4- -3	2- -3		3	-AS SHOWN 図示-		
6-173977-2	4-173977-2	2-173977-2	173977-2	2	-AS SHOWN 図示-		
BLACK 黒色	CREAM YELLOW クリームイエロー	LIGHT BLUE ライトブルー	NATURAL 自然色	POS	A	B	C

PART No. 製品型番			TE Connectivity		
適合電線断面積 (WIRE RANGE) NOTE 1 mm ² (AWG -)		被覆外径 (INSULATION DIA.) NOTE 1 mmφ		名称 (NAME) MT REC HOUSING ASS'Y (AMP CT CONNECTOR 2mm PITCH)	
材料 (MATERIAL) NOTE 2		仕上 (FINISH)		一般公差 (GENERAL TOLERANCE) 10以下 : ±0.2 10を超え 30以下 : ±0.25 30を超え 100以下 : ±0.3 角 度 : ±3°	
G2 REVISED PER ECO-11-005033		RK	HMR	2APR11	DR. 23/AUG/99 DE. 23/AUG/99
LTR 変更 (REVISION RECORD)		DR	CHK	DATE	DR. J. TSUJI DE. J. Tsuji
CHK 25/AUG/99		APP. 25/AUG/99		SIZE A3 LOC J 番号 (No.) C-173977	
尺度 (SCALE) 4-1		REV. G2		SHEET 1 OF 1	

G2	REVISED PER ECO-11-005033	RK	HMR	2APR11
LTR	変更 (REVISION RECORD)	DR	CHK	DATE