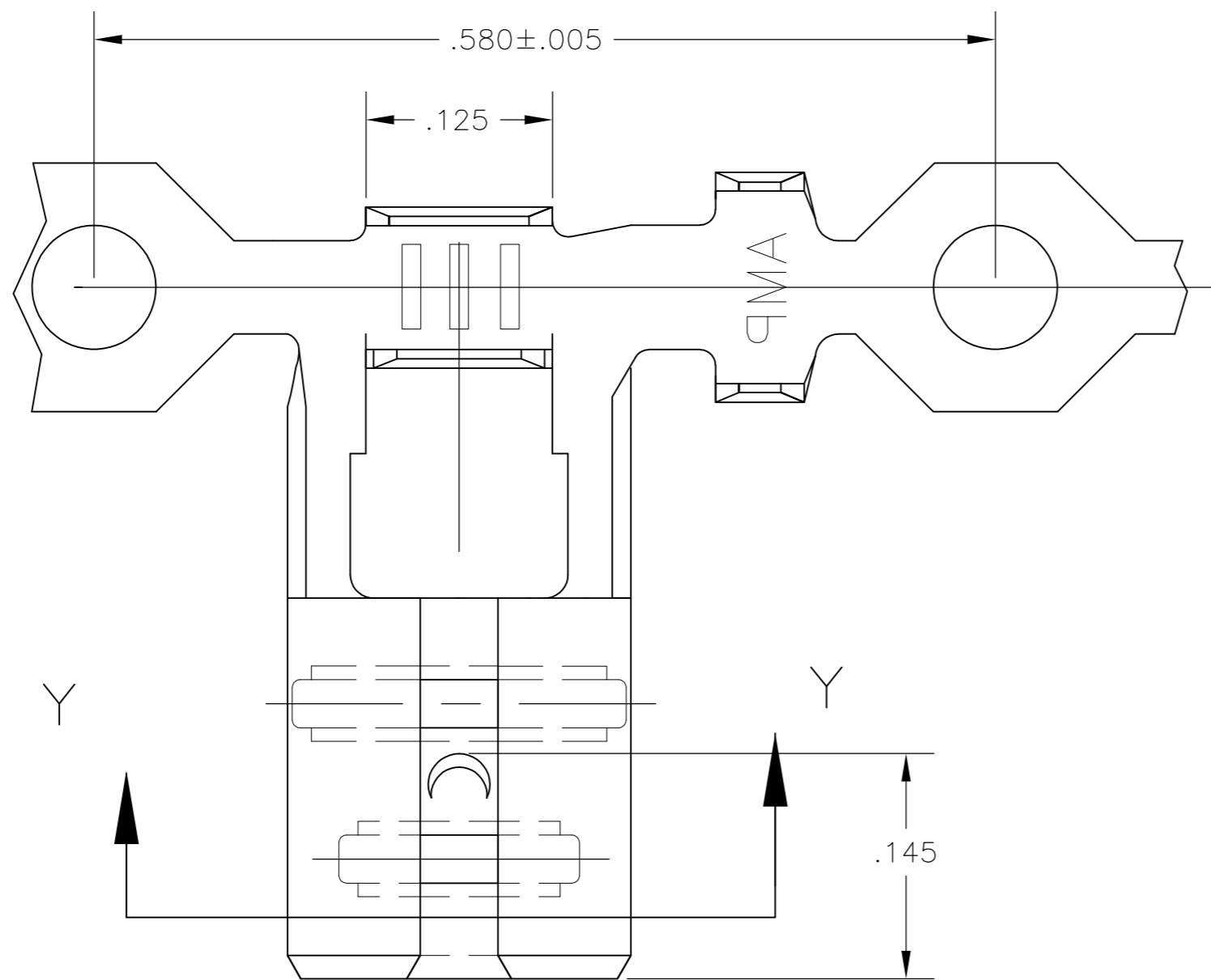
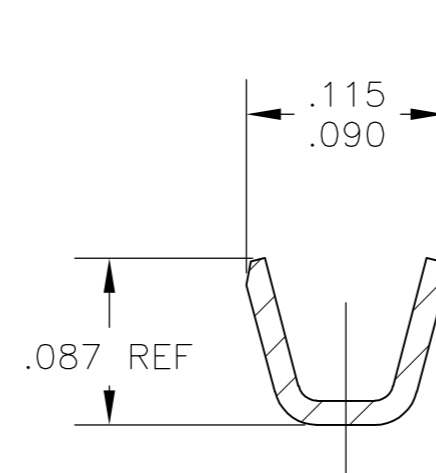


THIS DRAWING IS UNPUBLISHED. RELEASED FOR PUBLICATION
 © COPYRIGHT - By - ALL RIGHTS RESERVED.

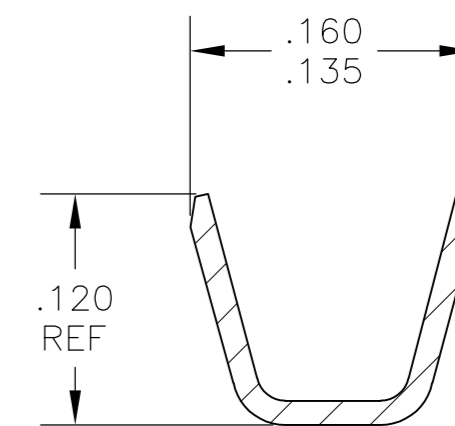
LOC	DIST	REVISIONS			
P	LTR	DESCRIPTION	DATE	DWN	APVD
AF	14				
	D1	REVISED PER ECO-14-009555	25JUN14	JR	DC



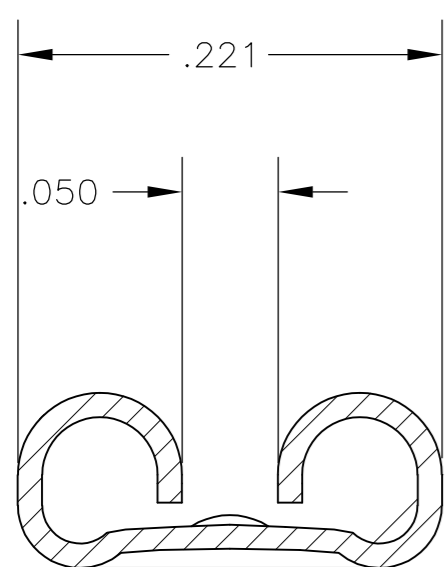
- 1 CONTINUOUS STRIP ON REELS
- 2 WIRE SIZE IS 22-18 AWG
- 3 INSULATION RANGE IS .060-.110 DIA.
- 4 MATING TAB THK IS .020±.001



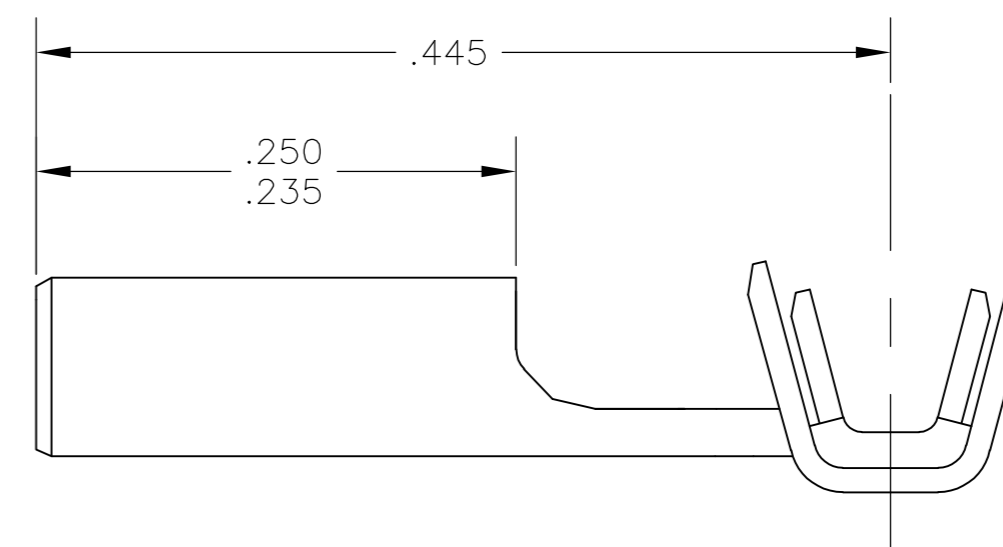
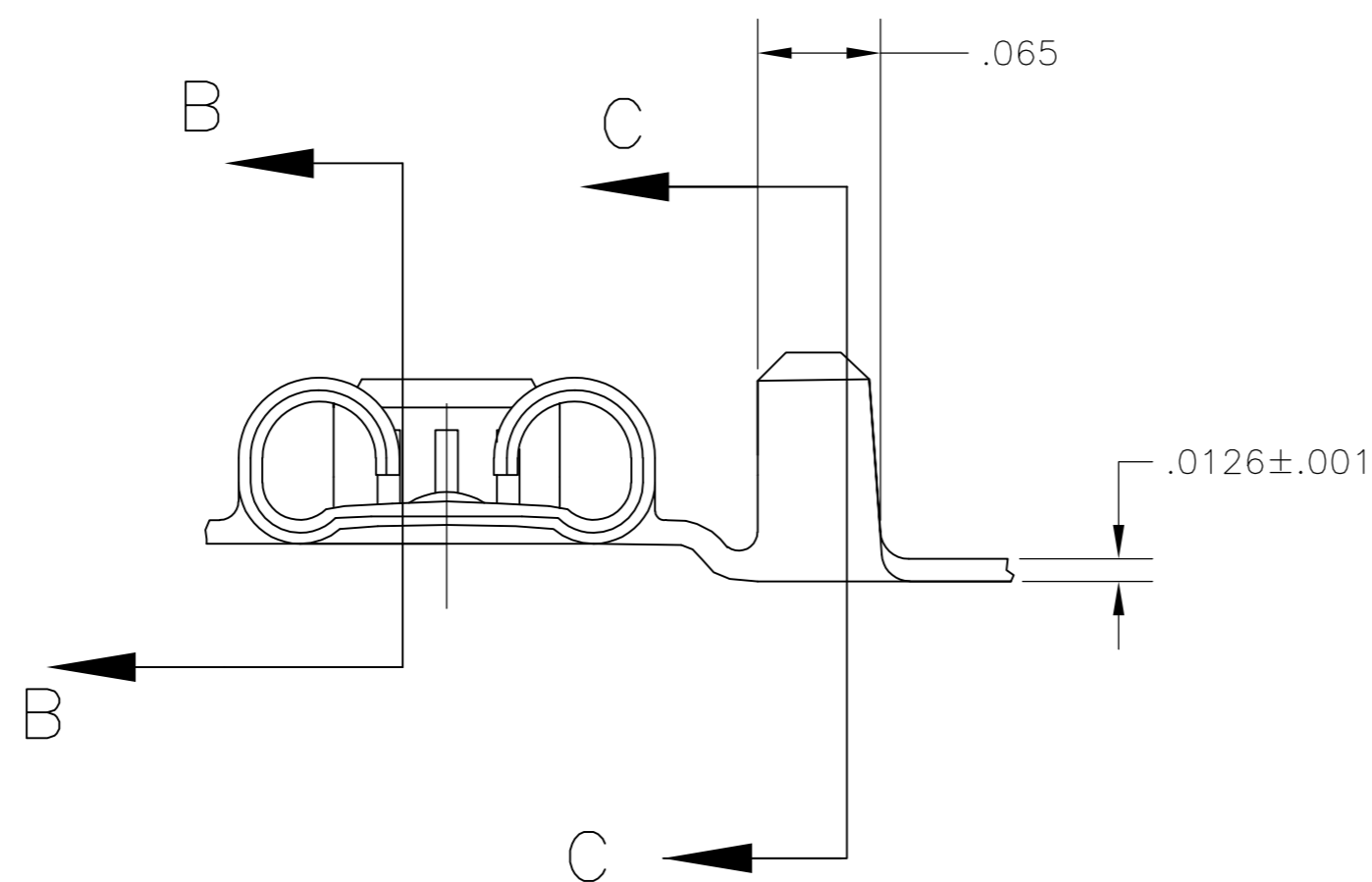
SECTION B-B



SECTION C-C



SECTION Y-Y



TIN	1742086-2
PLAIN	1742086-1
FINISH	PART NO

THIS DRAWING IS A CONTROLLED DOCUMENT.		DWN	JR RUTH	04mar04
DIMENSIONS: INCHES		CHK	P DESANTIS	04MAR04
TOLERANCES UNLESS OTHERWISE SPECIFIED:		APVD	P DESANTIS	04MAR04
0 PLC ± -		PRODUCT SPEC	-	
1 PLC ± -		APPLICATION SPEC	114-2079	
2 PLC ± -		WEIGHT	-	
3 PLC ± .010		CUSTOMER DRAWING	SCALE 10:1 SHEET 1 of 1 REV D1	
4 PLC ± -				
ANGLES ± 2°				
FINISH -				
MATERIAL	BRASS	SIZE	A2	CAGE CODE 00779
		DRAWING NO	1742086	
		RESTRICTED TO	-	



RECEPTACLE, FASTON, FLAG, .187 SERIES

1742086