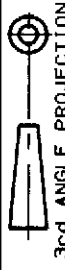


/auto2/new/u.c98-0091 J. customer/s.c-174258

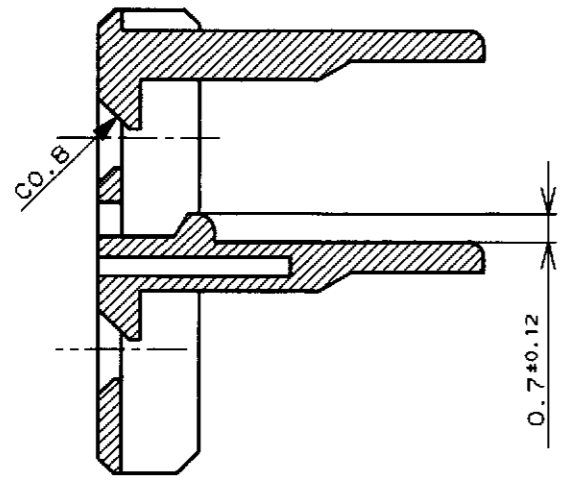
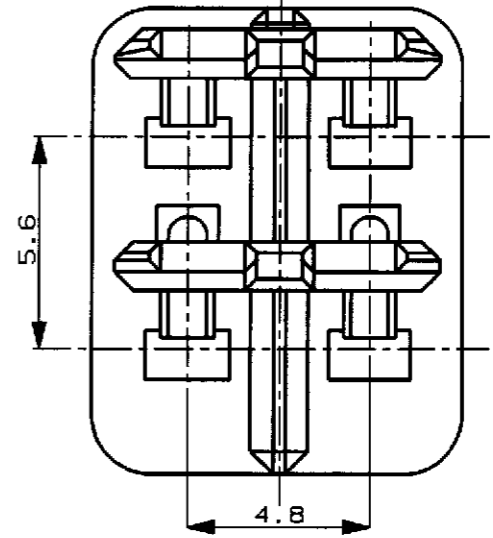
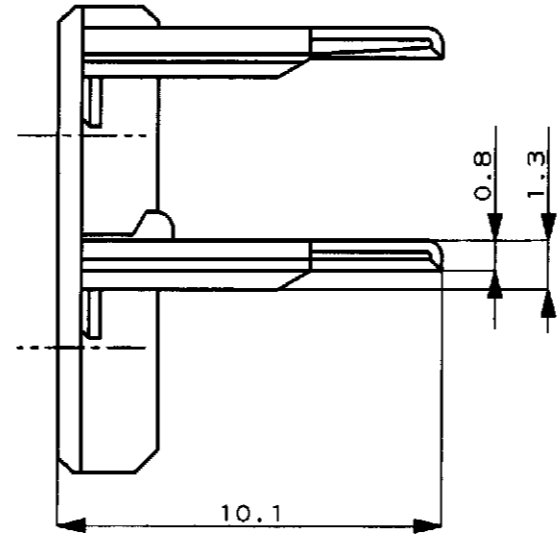
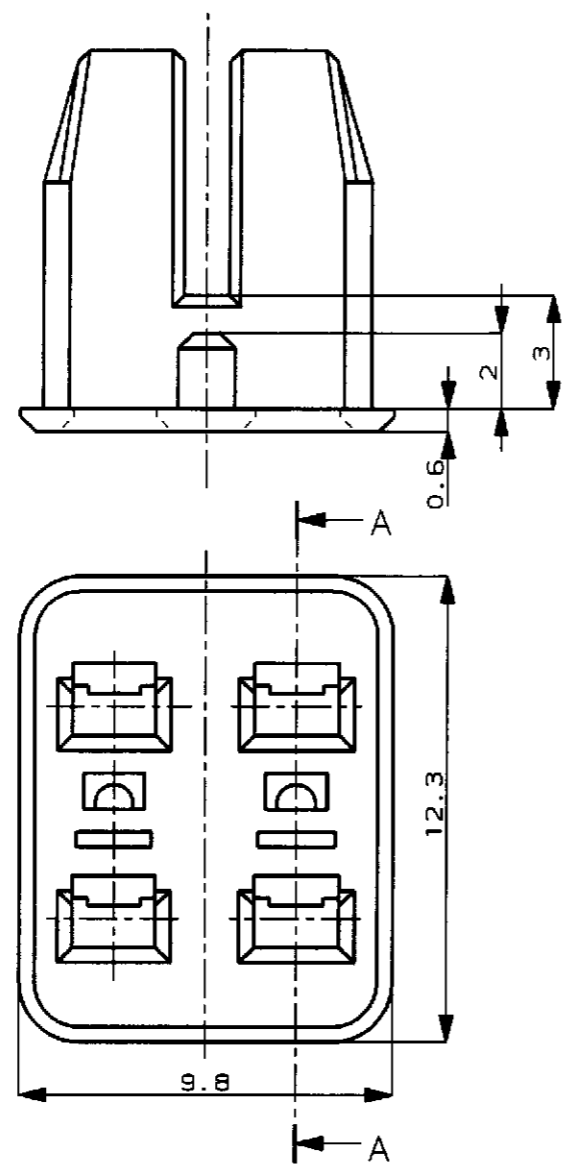
NUMBER 174258



METRIC

DIMENSIONS IN MILLIMETERS. DO NOT SCALE PRINT

PRINT DIST



SECT 断面 A-A

注 :
 1 本品はプラグハウジングP/N174257
 に装着される

NOTE :
 1 TO BE MATES WITH CAP HOUSING P/N 174257

PBT	(NATURAL) 自然色	1-174258-1
PBT, 難燃材	(YELLOW) 黄	174258-7
MATERIAL 材料	HOUSING COLOR ハウジング色	P/N

				© 19 BY AMP (Japan) LTD. ALL RIGHTS RESERVED. AMP PRODUCTS COVERED BY PATENTS AND OR PATENTS PENDING				AMP		AMP (JAPAN), LTD. Tokyo, Japan	
				WIRE RANGE mm ² (AWG)		INSULATION DIA mm		NAME 4P. ECONOSEAL J-MARK II+ CONNECTOR 4極 エコノシール J マーク II+ DOUBLE LOCK PLATE FOR PLUG HOUSING プラグ用ダブルロックプレート			
B REVISED FJ00-2366-98 YF KO 28DEC 88				MATERIAL SEE TABLE 表参照		COLOR SEE TABLE 表参照		GENERAL TOLERANCE			
A ADDED 追加 1- -1 FJ00-3794-95 MT AT 12/12 '95				DR. T. SAGAWA 8/1 '86		DE. K. Oda 8/1 '86		0<*< 10 : ±0.2 10<*< 30 : ±0.25 30<*< 100 : ±0.3 ANGLES : ±3°		SIZE LOC NUMBER A3 J 174258	
O 作成 RELEASED J-9751 T.S.Y.M 5/26 '89				CHK. M. Matsushita 5/26 '89		APP. M. Toruchi 5/31 '89		SCALE 5-1		REV. B SHEET 1 OF 1	
LTR REVISION RECORD DR CHK DATE											

AMP-J
REV. FJ024743

CUSTOMER DRAWING