

4

3

2

1

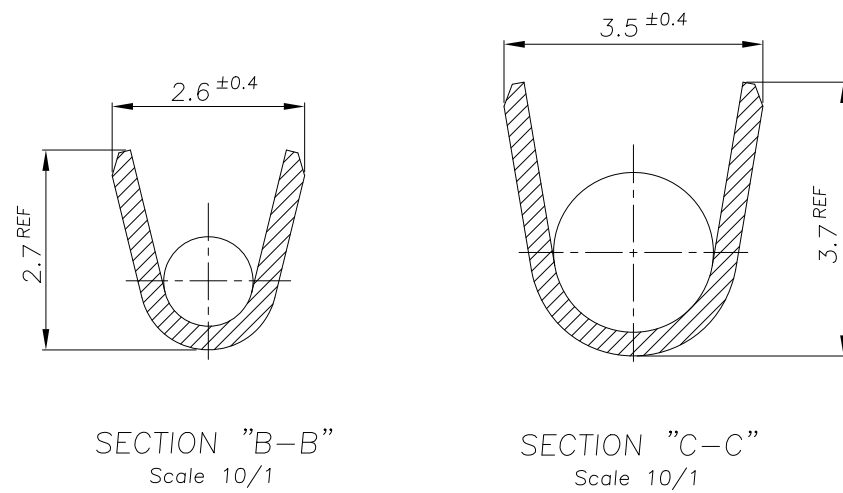
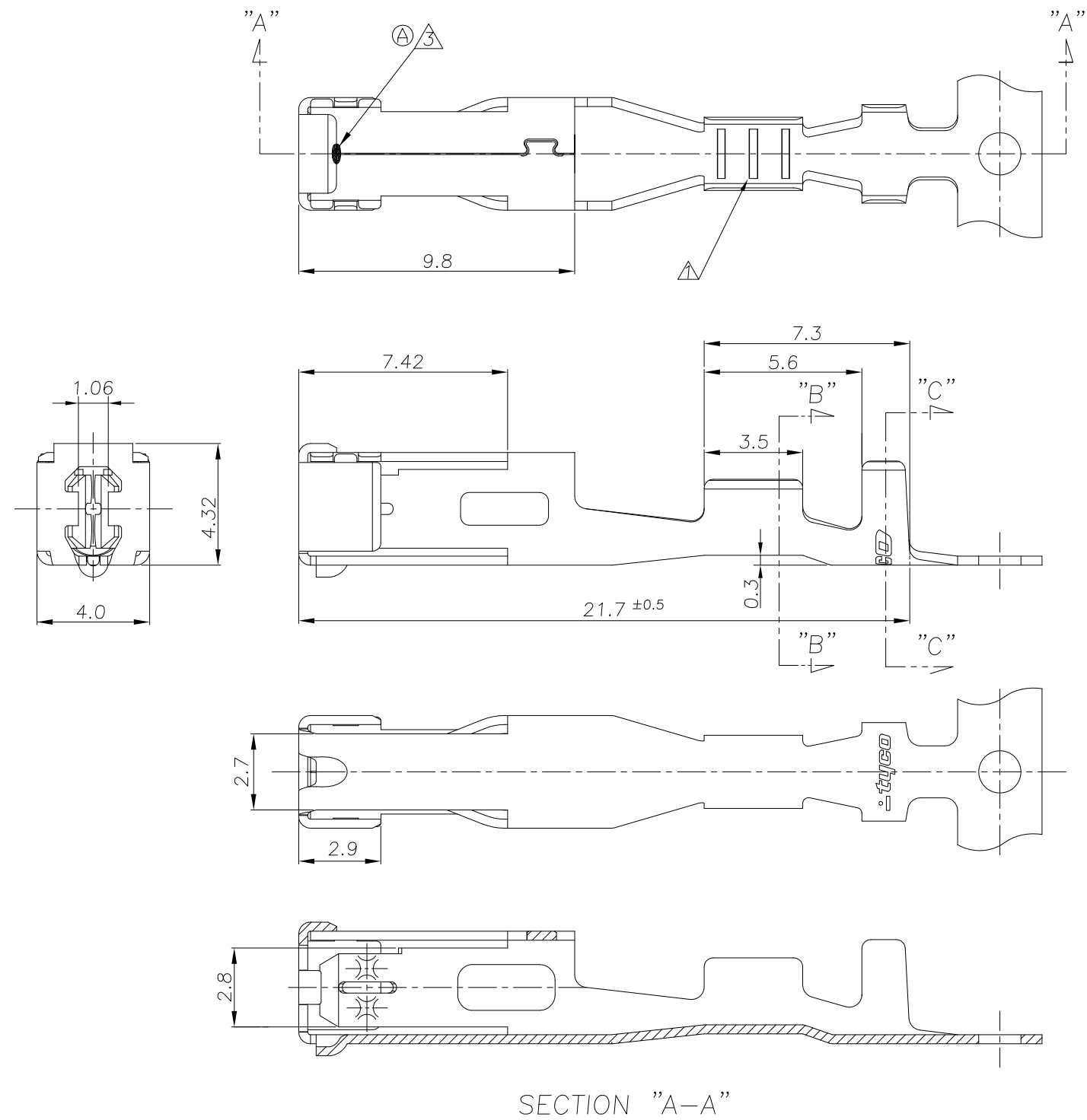
THIS DRAWING IS UNPUBLISHED.

RELEASED FOR PUBLICATION

© COPYRIGHT

BY TYCO ELECTRONICS CORPORATION, ALL RIGHTS RESERVED.

LOC	DIST	REVISIONS					
		P	LTR	DESCRIPTION	DATE	DWN	APVD
DS	-		D	RELEASED (FC00-0241-04)	19.OCT.'04	YM	CS
			A	REVISED (ECR-09-012369)	17.JUN.'09	KT	HG



NOTE;

- ▲ THREE SERRATIONS CENTERED IN WIRE BARREL.
2 WIRE SIZE EQUIV AVSS 0.3 ~ AVXF 0.85 sqmm.
- ⊕ ⊗ WELDING POINT

THIS DRAWING IS A CONTROLLED DOCUMENT FOR TYCO ELECTRONICS CORPORATION IT IS SUBJECT TO CHANGE AND THE CONTROLLING ENGINEERING ORGANIZATION SHOULD BE CONTACTED FOR THE LATEST REVISION.

DIMENSIONS: MM	TOLERANCES UNLESS OTHERWISE SPECIFIED: 0 <XX<10 ± 0.25 10<XX<30 ± 0.3 ANGLES ± 3°
MATERIAL SEE TABLE	FINISH SEE TABLE

PRE-TINNED	CuNiSi Alloy 0.32THK.	1743162-1		
FINISH	MATERIAL	PART NO		
DWN KT JUNG CHK JW JUNG	 AMP KOREA, Kyungsan, Korea	NAME		
APVD HG CHD			2.8mm MCP-E NON SEALED RECEP CONTACT (S)	
PRODUCT SPEC	SIZE	CAGE CODE	DRAWING NO	RESTRICTED TO
APPLICATION SPEC	A3	00779	C-1743162	-
WEIGHT	CUSTOMER DRAWING			SCALE 5/1
				SHEET 1 OF 1
				REV A