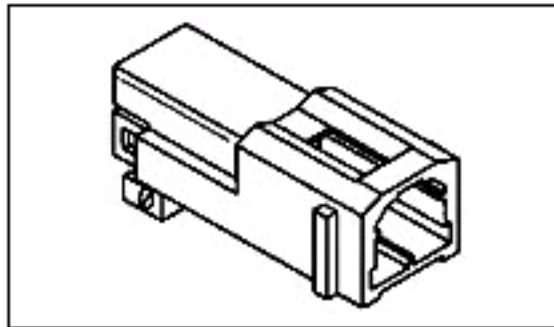


## 174460-1 Product Details

[Share](#) | [Print](#) | [Email](#)


174460-1

TE Internal Number: 174460-1

Active

[View 3D PDF](#)

### MULTILOCK Connectors and Contacts

[Always EU RoHS/ELV Compliant \(Statement of Compliance\)](#)

**Product Highlights:**

- Connector
- Housing
- Contact Type = Tab
- Connector Style = Receptacle
- Receptacle Configuration = 070

[View all Features](#)

### Quick Links

- ▶ [Check Pricing & Availability](#)
- ▶ [Search for Tooling](#)
- ▶ [View Contacts \(16\)](#)
- ▶ [Product Feature Selector](#)
- ▶ [Contact Us About This Product](#)

[Add to My Part List](#) | [Request Sample](#) | [Find Similar Products](#) | [Buy Product](#)

### Documentation & Additional Information

**Product Drawings:**

- [.070 SERIES MULTILOCK I/O CONNECTOR 2POSITION CAP HO...](#) (PDF, Japanese)

**Catalog Pages/Data Sheets:**

- None Available

**Product Specifications:**

- [.070 SERIES MULTI LOCK I/O CONNECTOR\(MLC\)](#) (PDF, Japanese)

**Application Specifications:**

- None Available

**Instruction Sheets:**

- None Available

**CAD Files:** ([CAD Format & Compression Information](#))

- [2D Drawing](#) (DXF, Version J)
- [3D Model](#) (IGES, Version J)
- [3D Model](#) (STEP, Version J)

**Additional Information:**

- [Product Line Information](#)

**Related Products:**

- [Tooling](#)
- [Contacts \(16\)](#)

[List all Documents](#)

### Product Features (Please use the Product Drawing for all design activity)

**Product Type Features:**

- [Product Type](#) = Connector
- Connector Type = Housing
- [Receptacle Configuration](#) = 070
- Wire/Cable Type = Discrete Wire
- [Mating Connector Lock](#) = With
- [Mating Connector Lock Type](#) = Hinge Lock
- [Mating Connector Number Positions](#) = 2
- [Keyed](#) = No
- Proprietary Name = MULTILOCK
- Product Series = 070

**Mechanical Attachment:**

- [Panel Mount Retention](#) = Without

**Body Features:**

- [Number of Rows](#) = 1
- [Number of Positions](#) = 2

**Contact Features:**

- Contact Type = Tab

**Housing Features:**

- Connector Style = Receptacle
- [Housing Color](#) = White
- Housing Material = PBT - GF
- UL Flammability Rating = UL 94-HB

**Industry Standards:**

- [RoHS/ELV Compliance](#) = RoHS compliant, ELV compliant
- [Lead Free Solder Processes](#) = Not relevant for lead free process
- RoHS/ELV Compliance History = Always was RoHS compliant

**Conditions for Usage:**

- [Applies To](#) = Wire/Cable

**Other:**

- Brand = AMP

#### Corporate Information

- [About TE](#)
- [Investors](#)
- [News Room](#)
- [Supplier Portal](#)
- [Careers](#)

#### Quick Links

- [Check Distributor Inventory](#)
- [Cross Reference Products](#)
- [Find Documents & Drawings](#)
- [Product Compliance Support Center](#)
- [Site Map](#)

#### Customer Support

- [Email or Chat With Us](#)
- [Find a Phone Number](#)
- [Search Knowledge Base](#)
- [Manage Your Account](#)

#### Keep Me Informed

Receive TE News, Events & Technology Updates

Enter your email address

