

.040/.070 Hybrid I/O Connectors Wire to Board Applications

Plug (Hinge double-lock type)

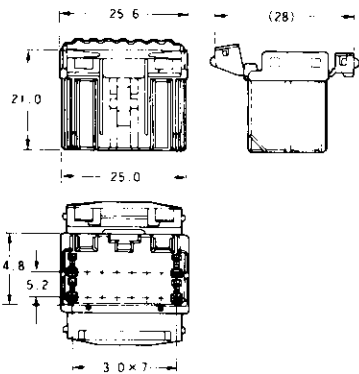
16
Pos.

Part Number : □-174514-□

■Part numbers of mating cap housings

- 38Pos. : □-175521-□
- 42Pos. : □-175446-□
- 54Pos. : □-175448-□
- 64Pos. : □-178764-□
- 64Pos. : □-177609-□
- 76Pos. : □-178780-□
- 76Pos. : □-174915-□

*Only .040 receptacle contact are accepted.

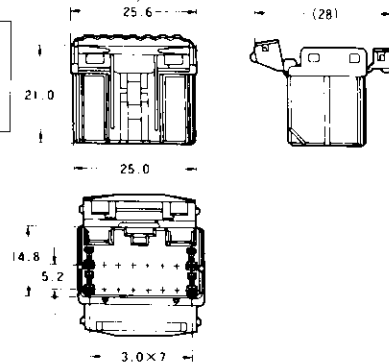


Part Number : □-176243-□ (The position of rib is different from P/N 174514)

■Part numbers of mating cap housings

- 42Pos. : □-176242-□

*Only .040 receptacle contact are accepted.

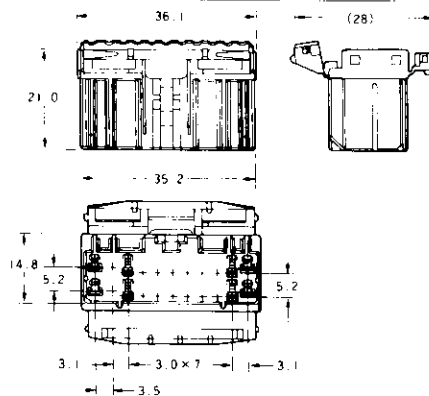


22
Pos.

Part Number : □-174515-□

■Part numbers of mating cap housings

- 34Pos. : □-175444-□
- 38Pos. : □-175521-□
- 48Pos. : □-174917-□
- 64Pos. : □-178764-□
- 64Pos. : □-177609-□
- 76Pos. : □-178780-□
- 76Pos. : □-174915-□

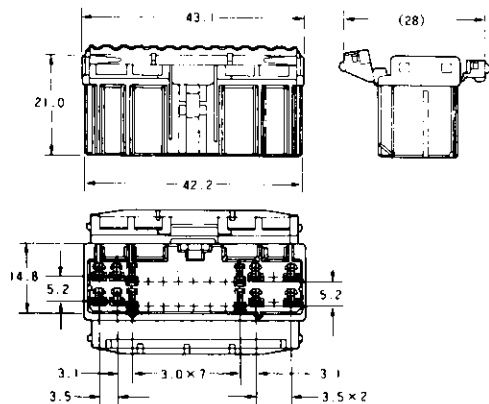


26
Pos.

Part Number : □-174516-□

■Part numbers of mating cap housings

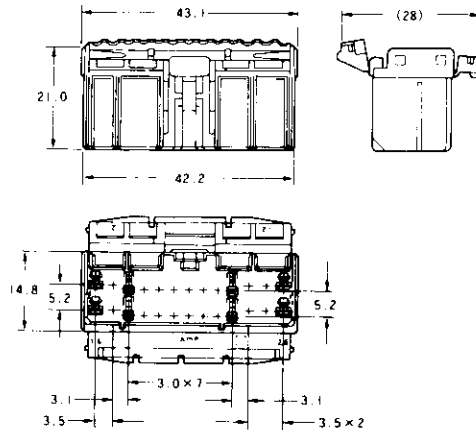
- 26Pos. : □-178811-□
- 38Pos. : □-178093-□
- 42Pos. : □-175446-□
- 48Pos. : □-174917-□
- 54Pos. : □-175448-□
- 64Pos. : □-178764-□
- 64Pos. : □-177609-□
- 76Pos. : □-178780-□
- 76Pos. : □-174915-□



Part Number : □-175567-□ (The position of rib is different from P/N 174516)

■Part numbers of mating cap housings

- 26Pos. : □-178762-□
- 42Pos. : □-176242-□



*The material of housing is of PBT.

*The figures in □ after part numbers vary according to housing colors, etc.