



**Have a Question?**  
 Chat with a Product  
 Information Specialist

What can we help you find?

[Products](#) | 
 [Industries](#) | 
 [Resources](#) | 
 [About TE](#) | 
 [My Account](#) | 
 [Innovation](#) | 
 [Support Center](#)

## 1-745493-4 Product Details

[Share](#) | 
 [Print](#) | 
 [Email](#)



**1-745493-4**

TE Internal Number: 1-745493-4

Active

View 3D PDF

### Standard Cable Connectors

Always EU RoHS/ELV Compliant (Statement of Compliance)

#### Product Highlights:

- Connector
- Product Series = HDE-20 (IDC)
- 15 Positions
- Without Enclosure
- Connector Style = Receptacle

[View all Features](#)

### Quick Links

- ▶ Pricing & Availability
- ▶ Search for Tooling
- ▶ View Mating Products (49)
- ▶ Product Feature Selector
- ▶ Contact Us About This Product

[Add to My Part List](#) | 
 [Request Sample](#) | 
 [Find Similar Products](#) | 
 [Buy Product](#)

### Documentation & Additional Information

#### Product Drawings:

- RECEPTACLE ASSEMBLY, METAL SHELL, SIZE 2, 15 POSITIO... (PDF, English)

#### Catalog Pages/Data Sheets:

- AMPLIMITE Subminiature D Connectors - Cable Connectors (PDF, English)

#### Product Specifications:

- AMPLIMITE HDE-20 Insulation Displacement Connector (PDF, English)

#### Application Specifications:

- AMPLIMITE HDE-20 IDC Connectors (PDF, English)

#### Instruction Sheets:

- AMPLIMITE High Den. (HDE-20) Insulation Displacement... (PDF, English)

#### CAD Files: (CAD Format & Compression Information)

- 2D Drawing (DXF, Version L1)
- 3D Model (IGES, Version L1)
- 3D Model (STEP, Version L1)

[List all Documents](#)

#### Additional Information:

- Product Line Information

#### Related Products:

- Tooling
- Mating Products (49)

### Product Features (Please use the Product Drawing for all design activity)

#### Product Type Features:

- Product Type = Connector
- Product Series = HDE-20 (IDC)
- Wire/Cable Type = Discrete Wire, Round Jacketed Cable
- Termination Method to Wire/Cable = Insulation Displacement Crimp (IDC)
- Wire Insulation Diameter (mm [in]) = 1.52 [0.060]
- Mating Connector Lock = With
- Mating Connector Lock Type = Mounting Holes
- Shell Size = 2
- Shell Type = Full Metal Shell
- Grounding Indents = Without
- Grade = Standard
- Color = Black
- Shell Material = Steel

#### Termination Features:

- Solder Tail Contact Plating = Tin over Nickel

#### Body Features:

- Wire Range (mm<sup>2</sup> [AWG]) = 0.15 - 0.40 [26-22]
- Shell Plating = Tin
- Insert Material = Thermoplastic

#### Contact Features:

- Contact Type = Socket
- Contact Base Material = Phosphor Bronze
- Contact Plating, Mating Area, Material = Gold (30)
- Contact Size = 20

#### Housing Features:

- Enclosure = Without
- Connector Style = Receptacle

#### Configuration Features:

- Number of Positions = 15
- Preloaded = Yes

#### Industry Standards:

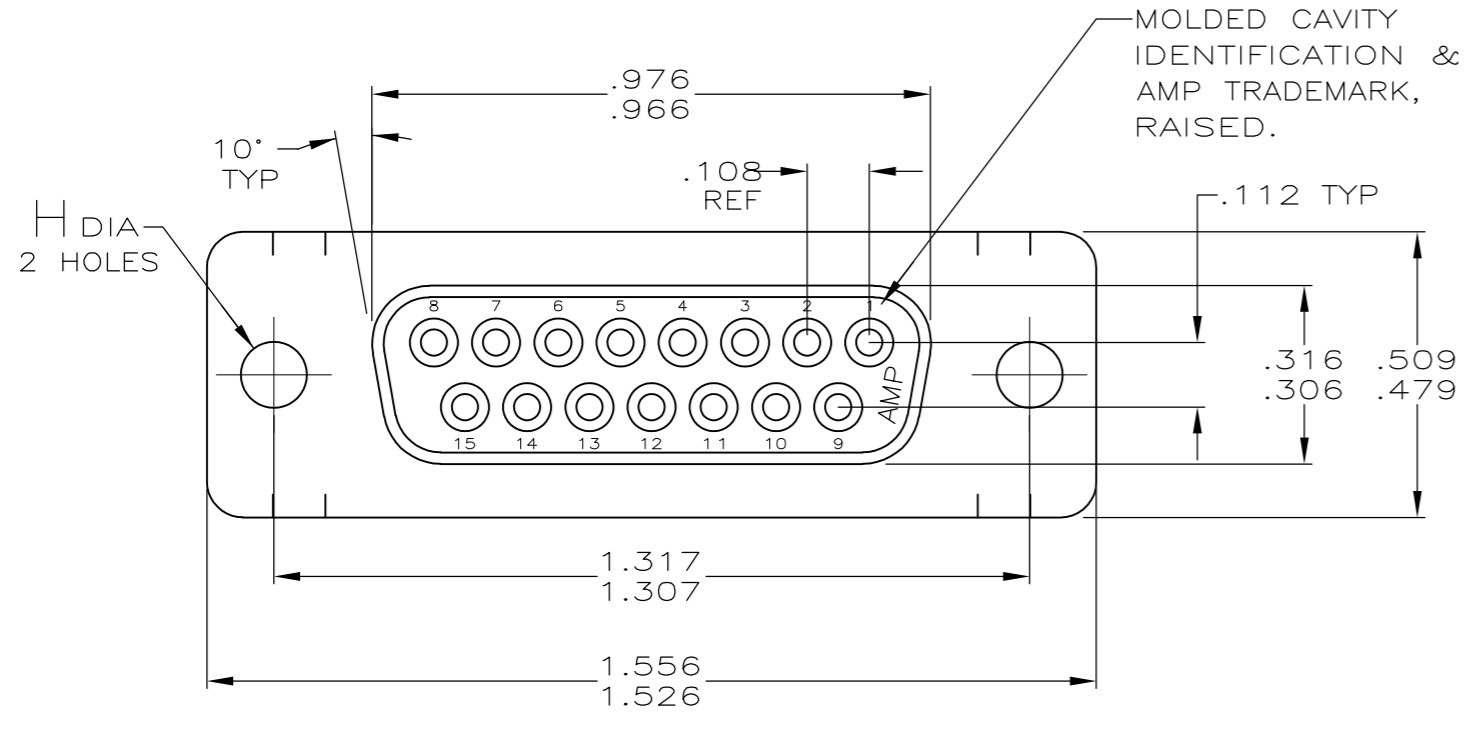
- RoHS/ELV Compliance = RoHS compliant, ELV compliant
- Lead Free Solder Processes = Not relevant for lead free process
- RoHS/ELV Compliance History = Always was RoHS compliant
- Insert Flammability Rating = UL 94V-0

#### Other:

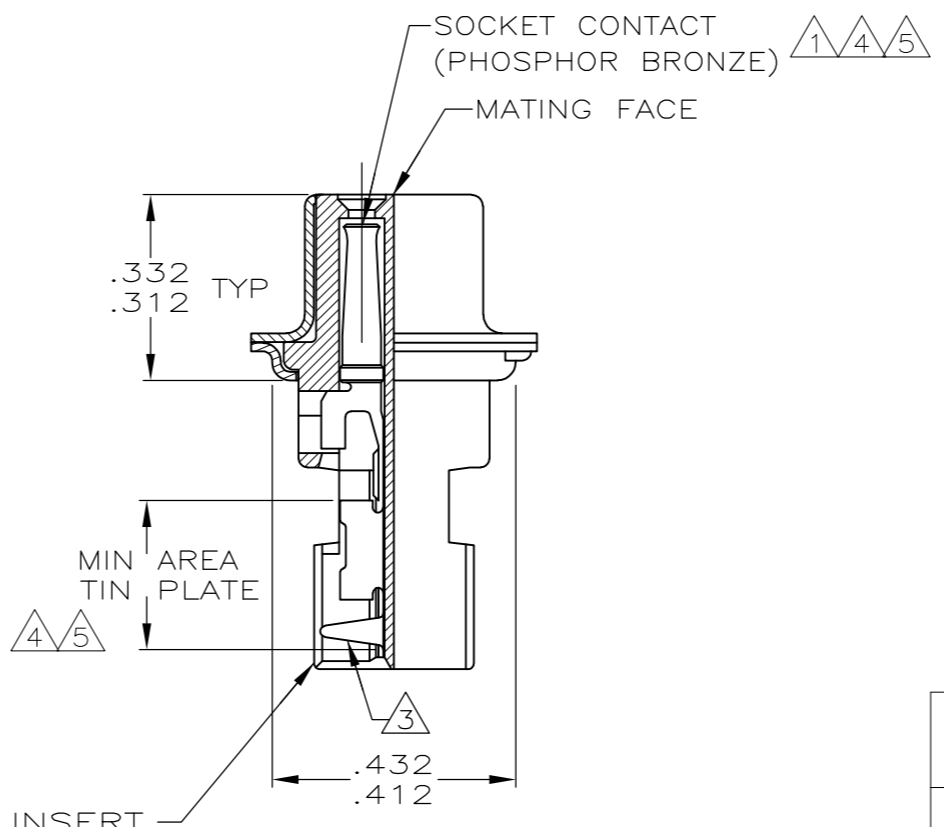
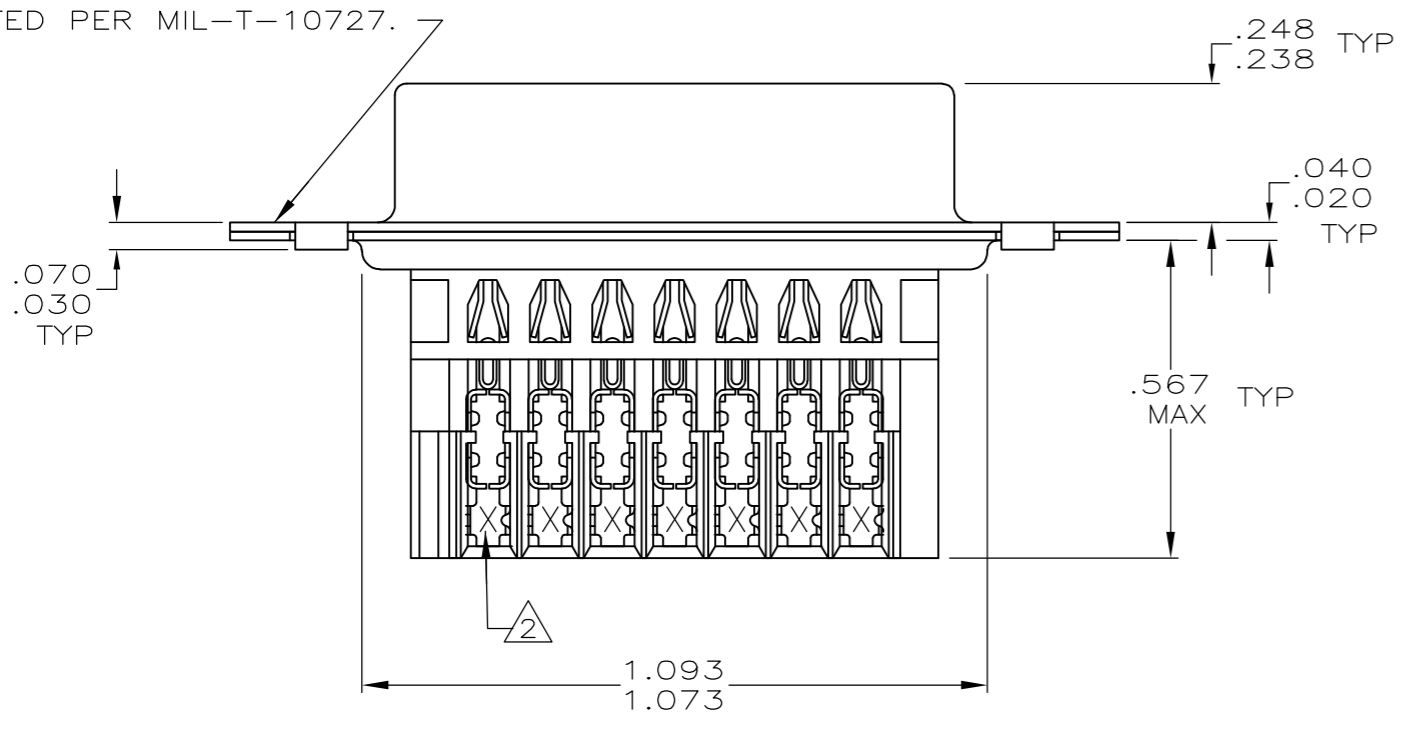
- Brand = AMP
- Comment = All connectors are preloaded. Individual conductor strands should be larger than 0.13 [.005] diameter. Contacts accept a max. wire insulation thickness of 0.38 [.015]. HDE connectors are designed for terminating solid or stranded (7-strand max.) wire.; Connectors can be made available with clinch nuts, contact AMP Incorporated; HDE connectors are designed for terminating solid or stranded (7-strand max.) wire.; Individual conductor strands should be larger than 0.127 in. [.005] diameter.

THIS DRAWING IS UNPUBLISHED. RELEASED FOR PUBLICATION  
 © COPYRIGHT - By - ALL RIGHTS RESERVED.

LOC		DIST		REVISIONS			
P	LTR	DESCRIPTION		DATE	DWN	APVD	
GP	00	L3	REVISED PER ECO-11-004835		11MAR11	RK	HMR



SHELL, STEEL, PER QQ-S-698 BRIGHT-TIN PLATED PER MIL-T-10727.



- ① HOUSING FULLY LOADED WITH CONTACTS.
- ② NUMBER ON CONTACT INDICATES WIRE RANGE.
- ③ CONTACT INSULATION RANGE: .060 MAXIMUM O.D.
- ④ .000030 GOLD ON MATING END FOR .100 MIN LENGTH. .000100-.000200 BRIGHT TIN OR BRIGHT TIN-LEAD IN AREA SHOWN. .000050 NICKEL UNDERPLATE ON ENTIRE CONTACT.
- ⑤ .000001 MIN GOLD ON MATING END FOR .100 MIN LENGTH. .000100-.000200 BRIGHT TIN OR BRIGHT TIN-LEAD IN AREA SHOWN. .000030 NICKEL UNDERPLATE ON ENTIRE CONTACT.
- ⑥ SUPERSEDED BY 745493-1
- ⑦ SUPERSEDED BY 745493-5
- ⑧ OBSOLETE
- ⑨ .000030 GOLD ON MATING END FOR .100 MIN LENGTH. .000100-.000200 MATTE TIN IN AREA SHOWN. .000050 NICKEL UNDERPLATE ON ENTIRE CONTACT.
- ⑩ .000001 MIN GOLD ON MATING END FOR .100 MIN LENGTH. .000100-.000200 MATTE TIN IN AREA SHOWN. .000030 NICKEL UNDERPLATE ON ENTIRE CONTACT.

STANDARD	PLC	FINISH	CONTACT FINISH	AWG WIRE RANGE	PART NUMBER
STANDARD	.125 .115	⑨	1	#26-30	1-745493-6
STANDARD	.125 .115	⑩	2	#22-26	1-745493-5
STANDARD	.125 .115	⑨	2	#22-26	1-745493-4
SMALL PACK	.125 .115	⑤	2	#22-26	⑦ 1-745493-3
STANDARD	.156 .146	⑤	3	#20-22	⑧ 1-745493-2
			2	#22-26	⑧ 1-745493-1
			1	#26-30	⑧ 1-745493-0
STANDARD	.156 .146	④	3	#20-22	⑧ 745493-9
			2	#22-26	⑧ 745493-8
			1	#26-30	⑧ 745493-7
STANDARD	.125 .115	⑤	3	#20-22	⑧ 745493-6
			2	#22-26	⑧ 745493-5
			1	#26-30	⑥ 745493-4
STANDARD	.125 .115	④	3	#20-22	⑧ 745493-3
			2	#22-26	⑧ 745493-2
			1	#26-30	⑧ 745493-1
PACKAGING	H	CONTACT FINISH	②	AWG WIRE RANGE	PART NUMBER

THIS DRAWING IS A CONTROLLED DOCUMENT.

DIMENSIONS: INCHES	TOLERANCES UNLESS OTHERWISE SPECIFIED:	DWN L. VARELA - DOCK5 11-16-04	CHK J. GERACE 11-16-04	TE Connectivity	
	0 PLC ± - 1 PLC ± - 2 PLC ± - 3 PLC ± .005 4 PLC ± - ANGLES ± 2°	APVD M. WALMSLEY 11-16-04	NAME		
		PRODUCT SPEC 108-40011		RECEPTACLE ASSEMBLY, METAL SHELL, SIZE 2, 15 POSITION, SERIES HDE-20 FOR MASS TERMINATION	
MATERIAL SEE CALL OUT	FINISH SEE TABLE	APPLICATION SPEC 114-40002	SIZE A2	CAGE CODE 00779	DRAWING NO C=745493
		WEIGHT -	SCALE 3:1	SHEET 1 of 1	REV L3
		CUSTOMER DRAWING			