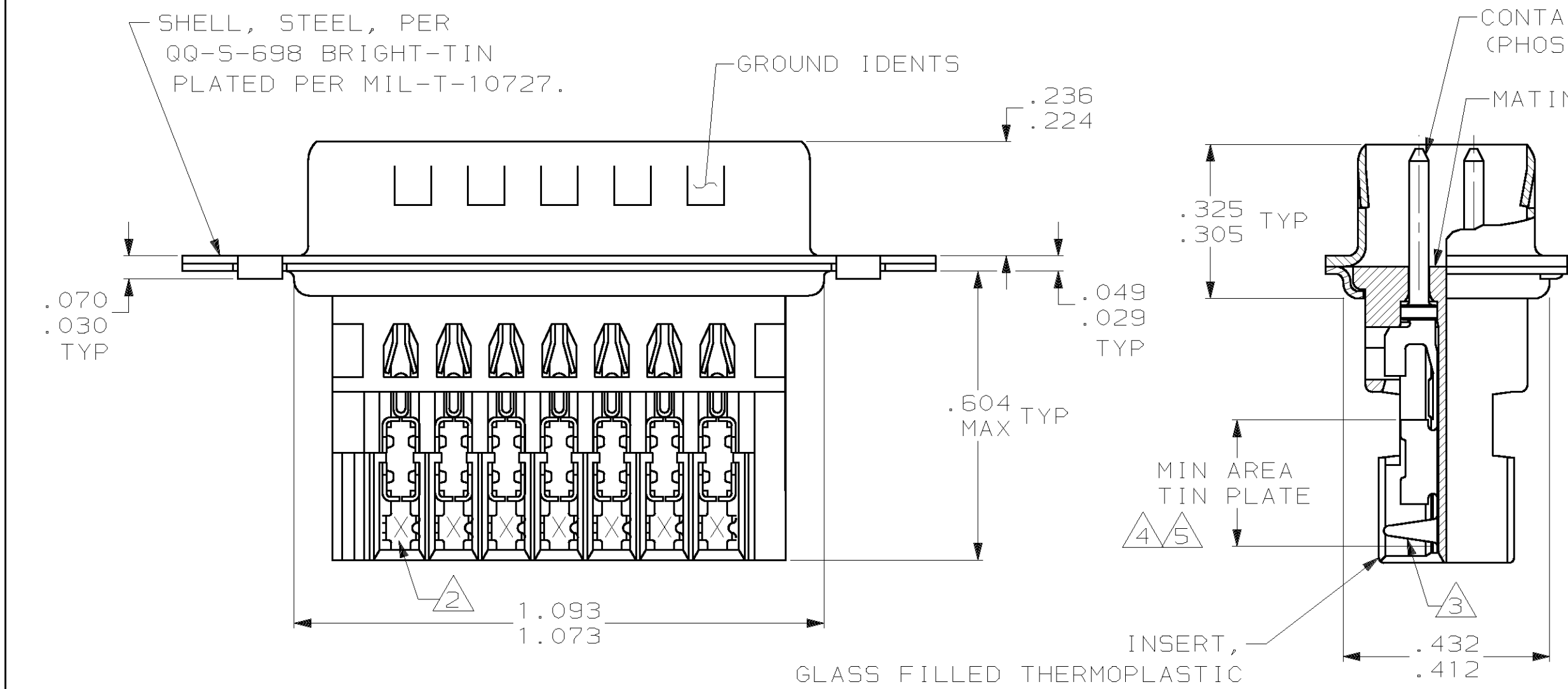
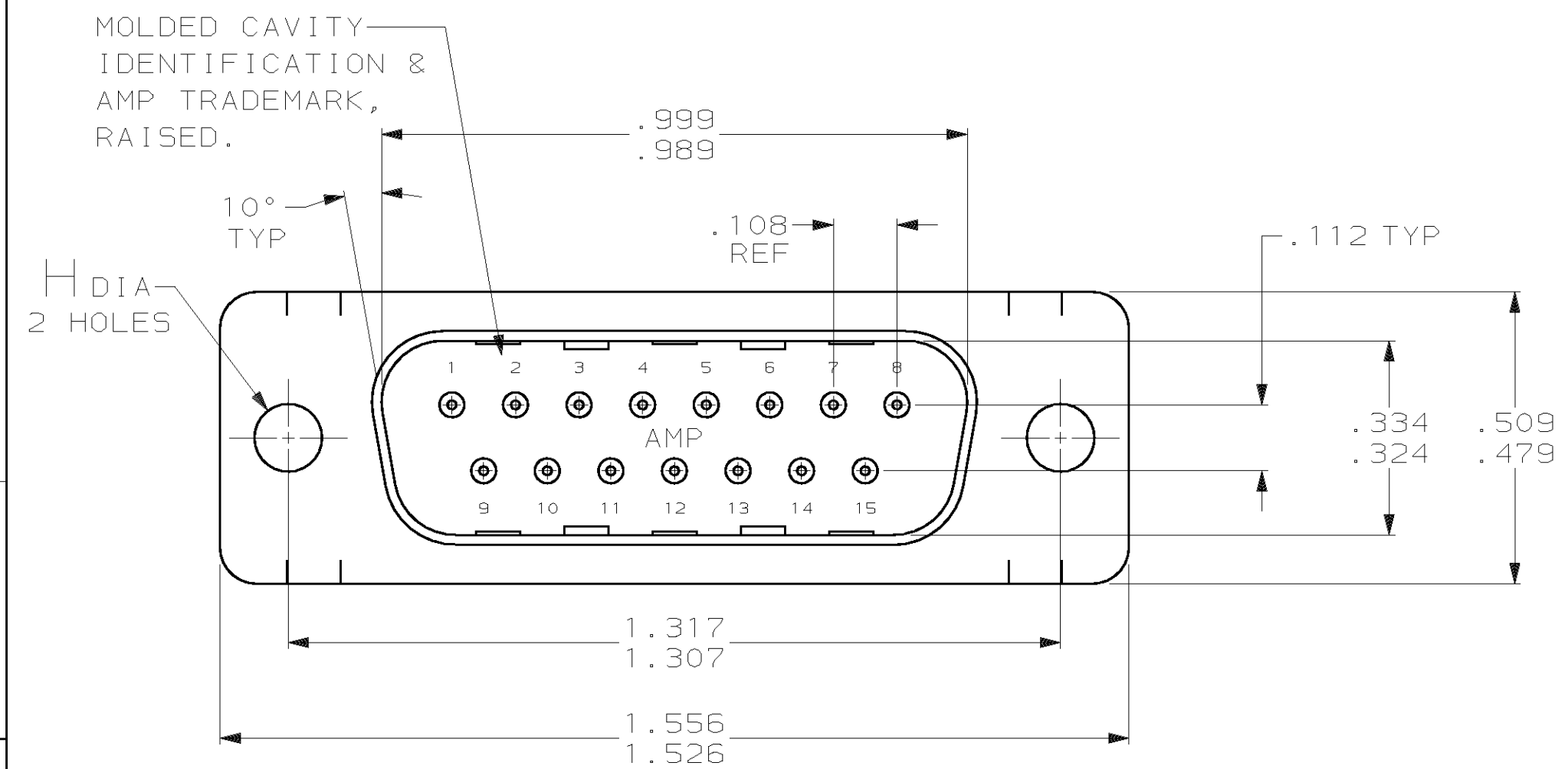


THIS DRAWING IS UNPUBLISHED. RELEASED FOR PUBLICATION
 © COPYRIGHT 19 BY AMP INCORPORATED. ALL INTERNATIONAL RIGHTS RESERVED.

LOC	DIST	P	F	ZONE	LTR	DESCRIPTION	DATE	745494
GP	00				M	REV PER EC OUE0-0002-01	10 JAN 02	JR



STANDARD	THICKNESS	FINISH	POSITIONS	AWG WIRE RANGE	PART NUMBER
STANDARD	.125 .115	7	2	#22-26	1-745494-4
SMALL PACK	.125 .115	5	2	#22-26	1-745494-3
STANDARD	.156 .146	7	2	#22-26	1-745494-2
			1	#26-30	1-745494-0
STANDARD	.156 .146	4	3	#20-22	745494-9
			2	#22-26	745494-8
			1	#26-30	745494-7
STANDARD	.125 .115	5	3	#20-22	745494-6
			2	#22-26	745494-5
			1	#26-30	745494-4
STANDARD	.125 .115	4	3	#20-22	745494-3
			2	#22-26	745494-2
			1	#26-30	745494-1
PACKAGING	H	CONTACT FINISH	2	AWG WIRE RANGE	PART NUMBER

- 1 HOUSING FULLY LOADED WITH CONTACTS.
- 2 NUMBER ON CONTACT INDICATES WIRE RANGE.
- 3 CONTACT INSULATION RANGE: .060 MAXIMUM O.D.
- 4 GOLD PLATED FOR LENGTH OF .150 MIN FROM MATING END, .000030 MIN GOLD IN MATED AREA. .000100-.000200 BRIGHT TIN OR BRIGHT IN TIN-LEAD AREA SHOWN. .000050 NICKEL UNDERPLATE ON ENTIRE CONTACT.
- 5 GOLD PLATED FOR LENGTH OF .150 MIN FROM MATING END, GOLD FLASH IN MATED AREA. .000100-.000200 BRIGHT TIN OR BRIGHT IN TIN-LEAD AREA SHOWN. .000030 NICKEL UNDERPLATE ON ENTIRE CONTACT.
- 6 OBSOLETE PART NUMBER.
- 7 GOLD PLATED FOR LENGTH OF .150 MIN FROM MATING END, .000050 MIN GOLD IN MATED AREA. .000100-.000200 BRIGHT TIN OR BRIGHT IN TIN-LEAD AREA SHOWN. .000050 NICKEL UNDERPLATE ON ENTIRE CONTACT.

DO NOT SCALE PRINT. UNLESS SPECIFIED DIMENSIONS IN INCHES TOLERANCES ON : 2 PLC DEC ± - 3 PLC DEC ± .005 ANGLES ± 2°	DR 3-26-90 J GALLUCCI BG CHK 4-12-90 H.MOLL APPD 4-9-90 J.WESTMAN APPD 4-17-90 J.ASSINI	AMP INCORPORATED Harrisburg, Pa. 17105	
MATERIAL SEE CALL OUT	PRODUCT SPEC 108-40011	NAME PLUG ASSEMBLY, METAL SHELL, SIZE 2, 15 POSITION, SERIES HDE-20 FOR MASS TERMINATION	
FINISH SEE TABLE	APPLICATION SPEC 114-40002	SIZE C	FSCM NO 00779
	WEIGHT -	SCALE 4:1	DRAWING NO 745494
			SHEET 1 OF 1