

Distributed by:

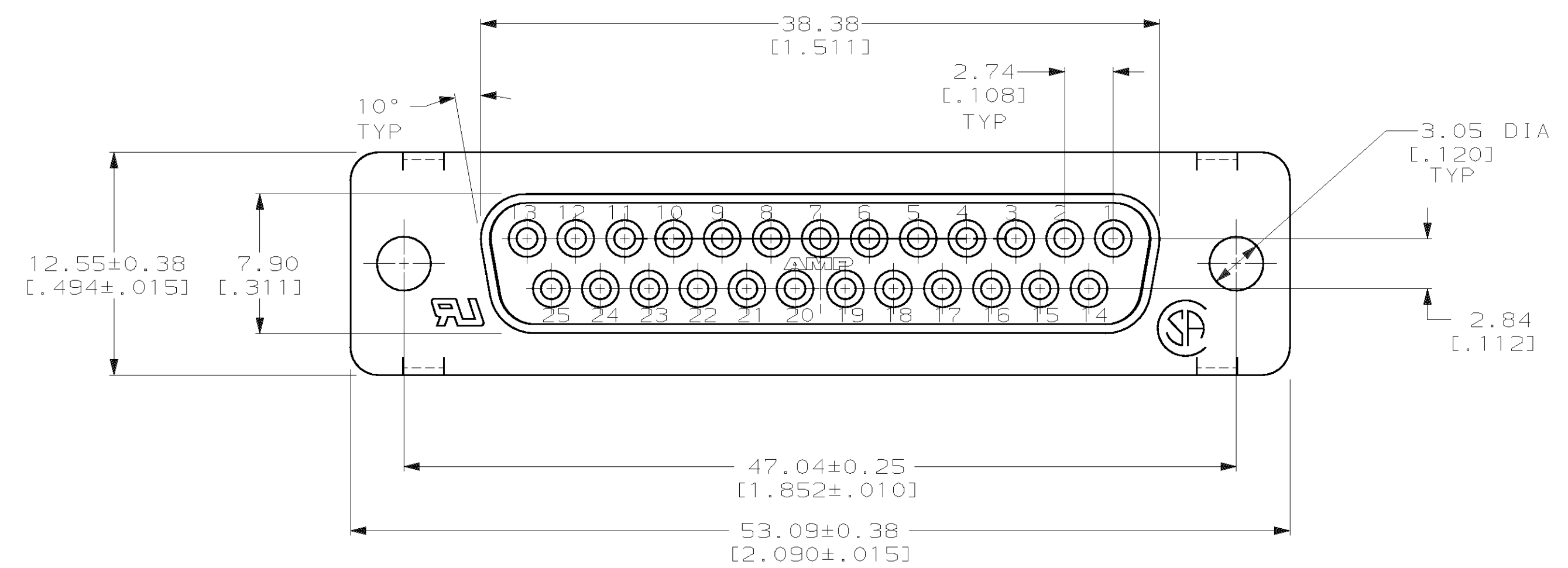
**JAMECO**<sup>®</sup>  
ELECTRONICS

**www.Jameco.com ♦ 1-800-831-4242**

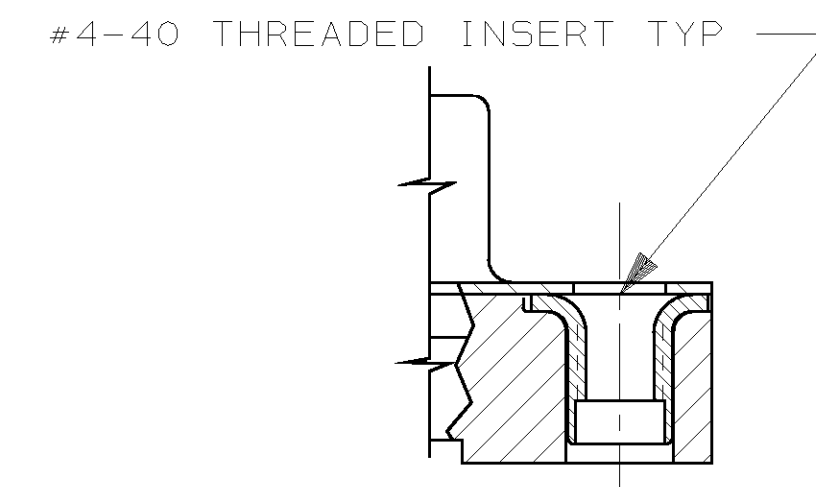
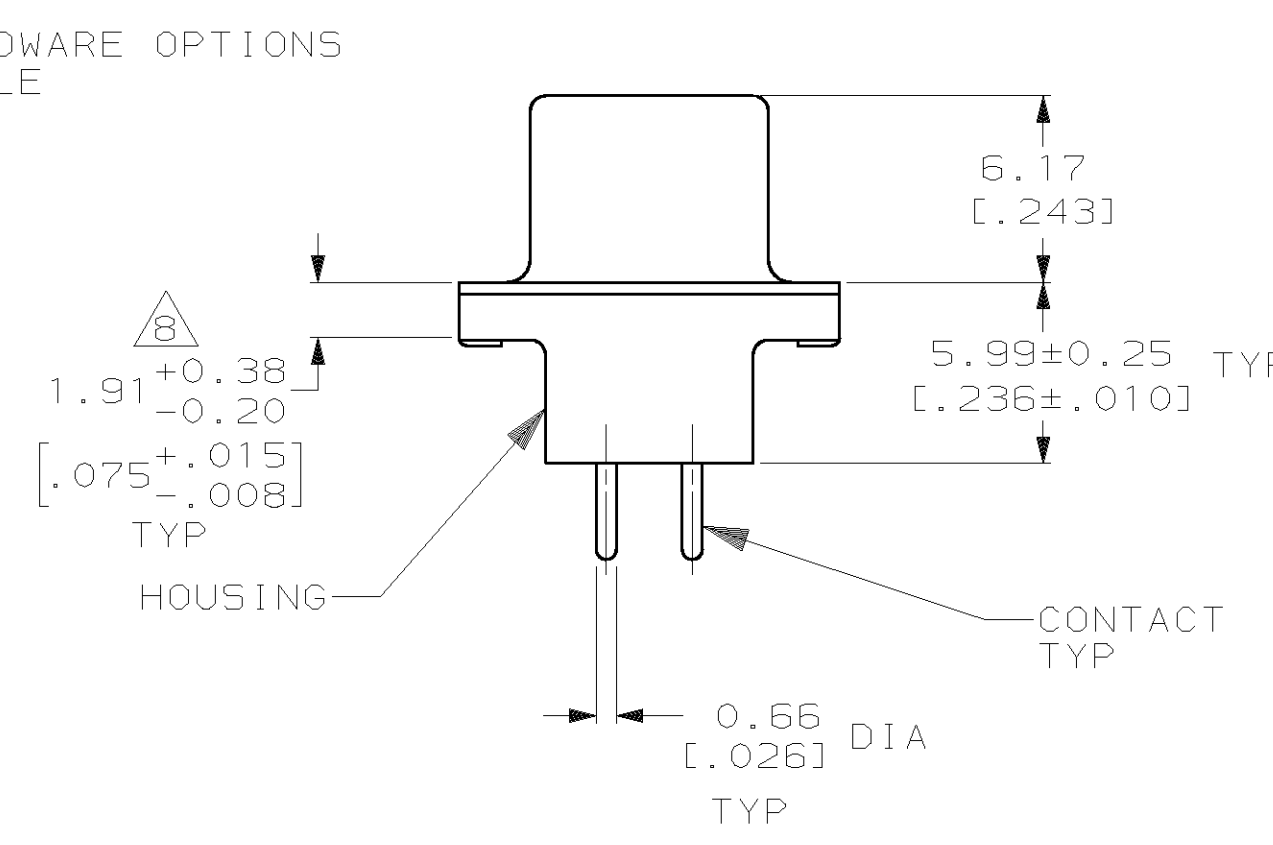
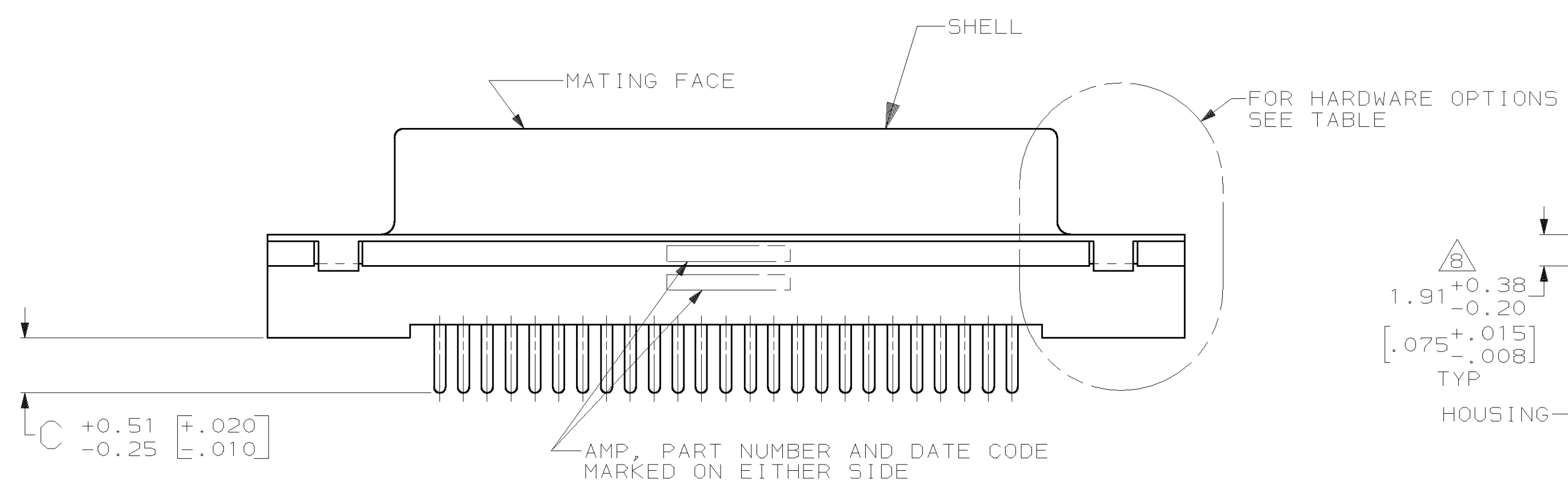
The content and copyrights of the attached  
material are the property of its owner.

Jameco Part Number 525296

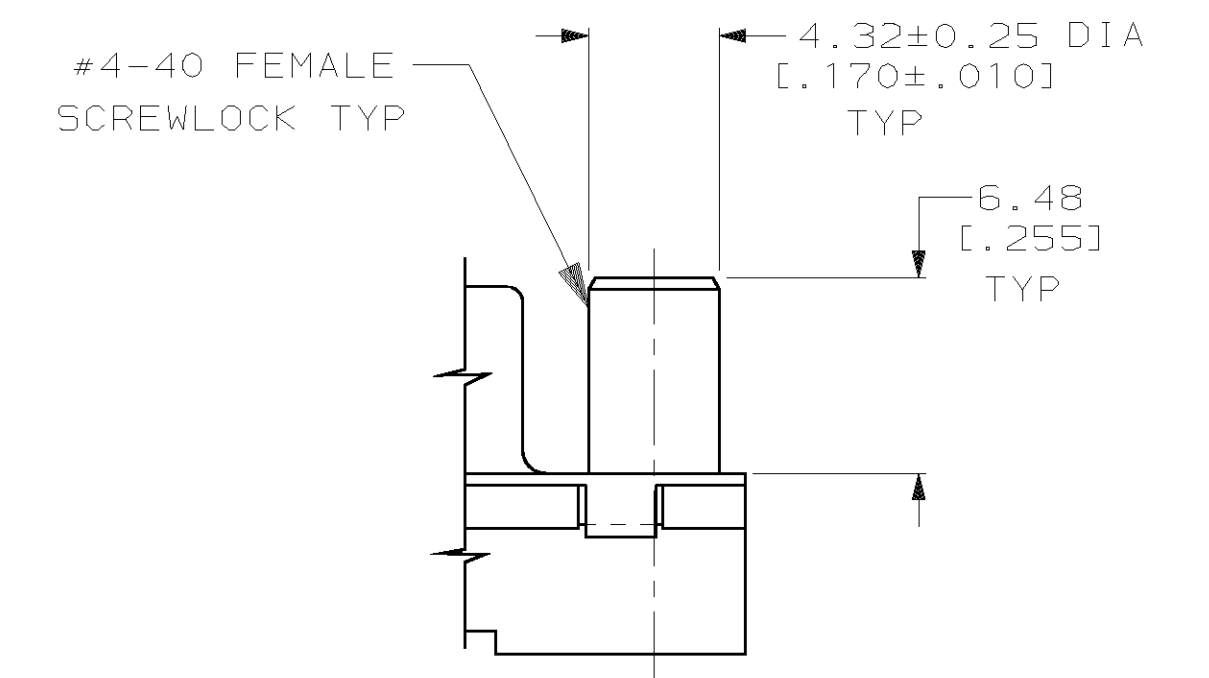
LOC		DIST		P		F		ZONE		LTR		REVISIONS			
GP	00											DESCRIPTION	DATE	APPD	
												N	REVISED PER EC 0513-0460-02	07MAR03	JG



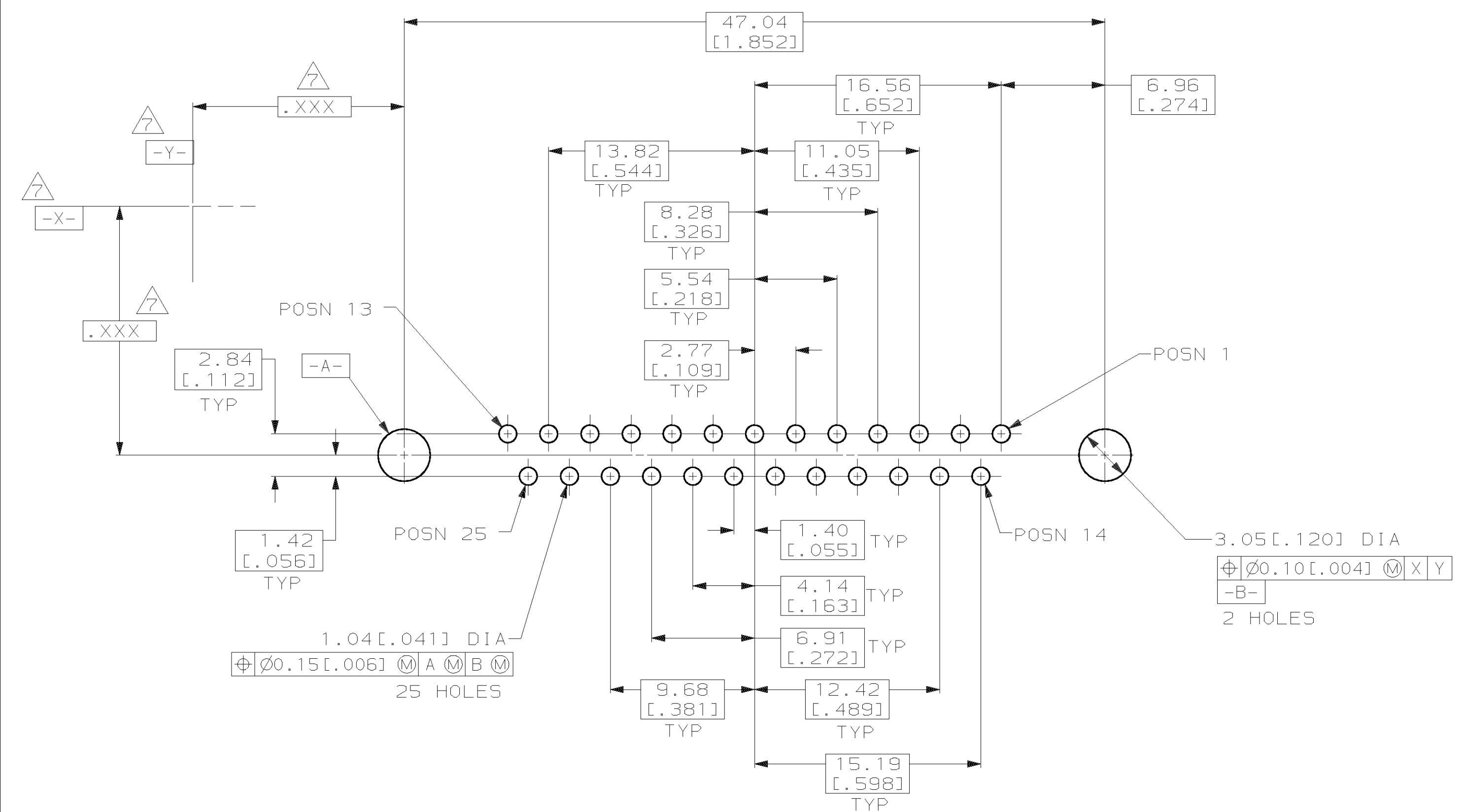
- 1 POLYESTER, UL 94V-0 RATED, BLACK.
- 2 CARBON STEEL PER ASTM A109.
- 3 5.08um [0.000200] MIN TIN OVER 2.54um [0.000100] MIN COPPER.
- 4 GOLD FLASH FOR A LENGTH OF 2.54 [0.100] MIN FROM MATING END, 2.54um [0.000100] MIN TIN OR TIN-LEAD ON OPPOSITE END, BOTH OVER 1.27um [0.000050] MIN NICKEL.
- 5 0.76um [0.000030] MIN GOLD FOR A LENGTH OF 2.54 [0.100] MIN FROM MATING END, 2.54um [0.000100] MIN TIN OR TIN-LEAD ON OPPOSITE END, BOTH OVER 1.27um [0.000050] MIN NICKEL.
- 6 TIN PLATING PER MIL-T-10727, GOLD PLATING PER MIL-G-45204, NICKEL PLATING PER QQ-N-290, COPPER PLATING PER MIL-C-14550.
- 7 DATUMS AND BASIC DIMENSIONS ESTABLISHED BY CUSTOMER.
- 8 2.79 [0.110] MAX IN SHELL TAB CLINCH AREAS.
- 9 OBSOLETE PART NUMBER.
- 10 SUPERSEDED BY 745967-2.
- 11 SUPERSEDED BY 745967-4.
- 12 SUPERSEDED BY 1-745967-4.
- 13 SUPERSEDED BY 745967-7.



DETAIL D



DETAIL E



RECOMMENDED PC BOARD MOUNTING DIMENSIONS

CONFIGURATION	CONTACTS	FINISH	PART NO
W/THREADED INSERTS PER DETAIL D	5	1.27 [0.050]	1-745967-9
W/FEMALE SCREWLOCKS PER DETAIL E	5	4.32 [0.170]	1-745967-6
	4	4.32 [0.170]	1-745967-5
	5	3.18 [0.125]	1-745967-4
W/THREADED INSERTS PER DETAIL D	4	3.18 [0.125]	1-745967-3
	4	6.35 [0.250]	745967-1
	5	4.32 [0.170]	1-745967-0
	4	4.32 [0.170]	745967-9
	5	3.18 [0.125]	745967-8
W/O FEMALE SCREWLOCKS OR THREADED INSERTS AS SHOWN	4	3.18 [0.125]	745967-7
	5	6.35 [0.250]	745967-6
	5	4.32 [0.170]	745967-4
	4	4.32 [0.170]	745967-3
	4	3.18 [0.125]	745967-2
HARDWARE OPTIONS	CONTACTS	C	PART NO
	FINISH		

DO NOT SCALE PRINT. UNLESS SPECIFIED DIMENSIONS IN mm [INCHES] TOLERANCES ON: 2 PLC DEC ± .013 [0.005] 3 PLC DEC ± - ANGLES ± 2°	DR 3-22-93 D BROCKWAY CHK 5-10-93 R STONE APPD 5-10-93 M PERCHERKE APPD 5-10-93 M PERCHERKE	AMP INCORPORATED Harrisburg, Pa. 17105
MATERIAL HOUSING: 1 SHELL: 2 CONTACTS: PHOS. BRONZE PER QQ-B-750 SCREWLOCKS: ZINC, INSERTS: BRASS	PRODUCT SPEC 108-40025	NAME RECEPTACLE ASSY, SIZE 3, 25 POSITION FRONT METAL SHELL, WITH OR WITHOUT SCREWLOCKS OR INSERTS, AMPLIMITE™ HDP
FINISH: 6 SHELL: 3 CONTACTS: SEE TABLE SCREWLOCKS: UNPLATED INSERTS: UNPLATED	APPLICATION SPEC 114-40023	SIZE D
WEIGHT -	SCALE 4:1	FSCM NO 00779
		DRAWING NO 745967
		SHEET 1 OF 1