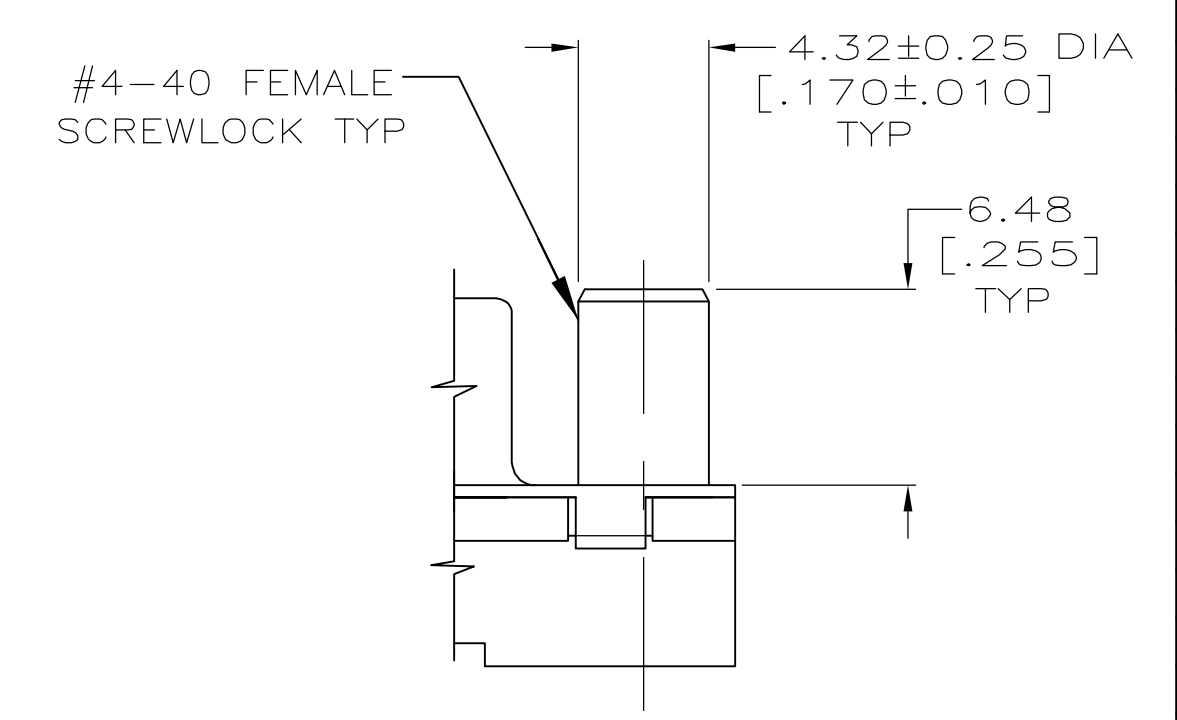
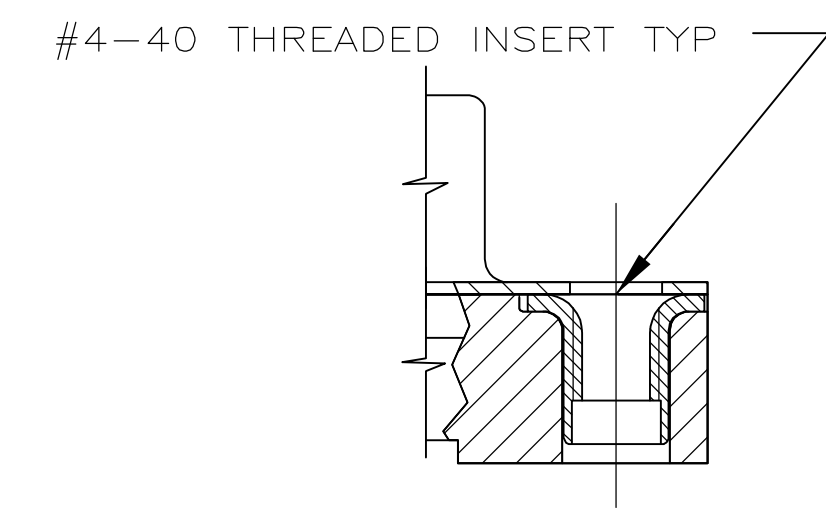
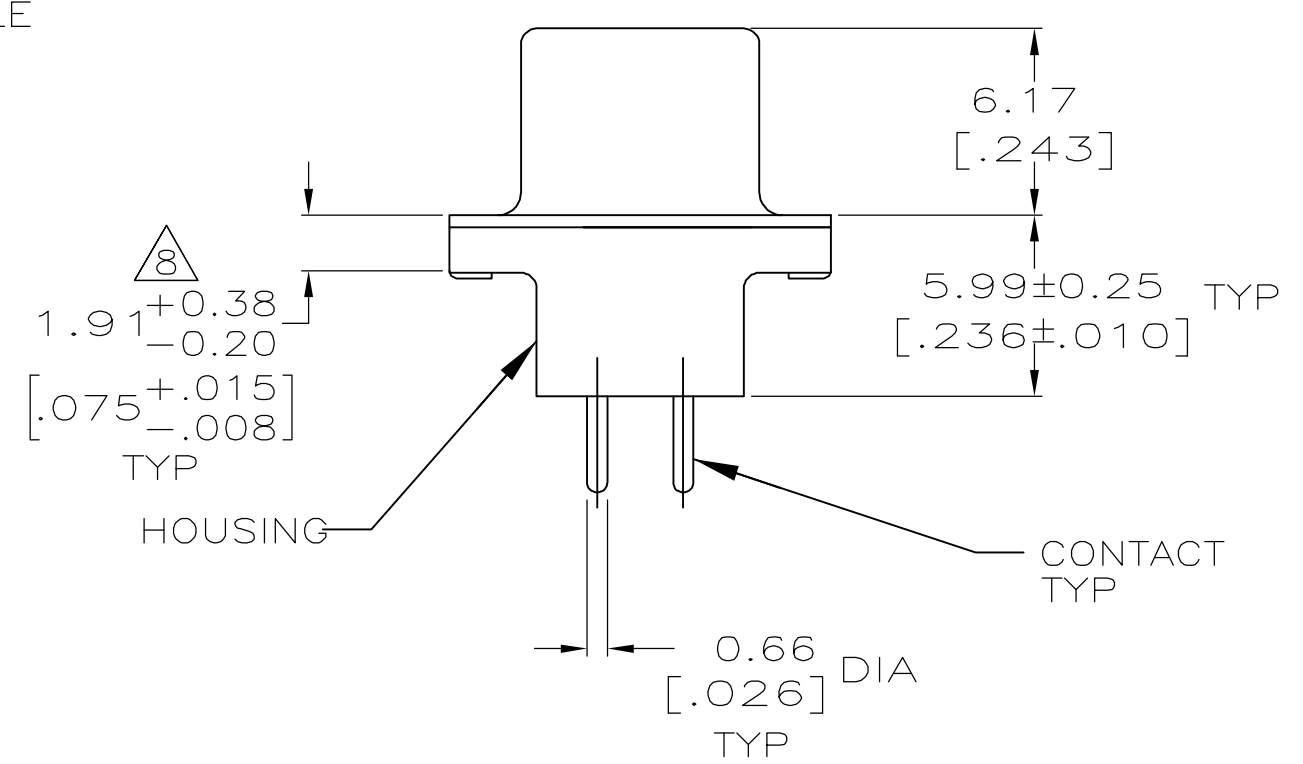
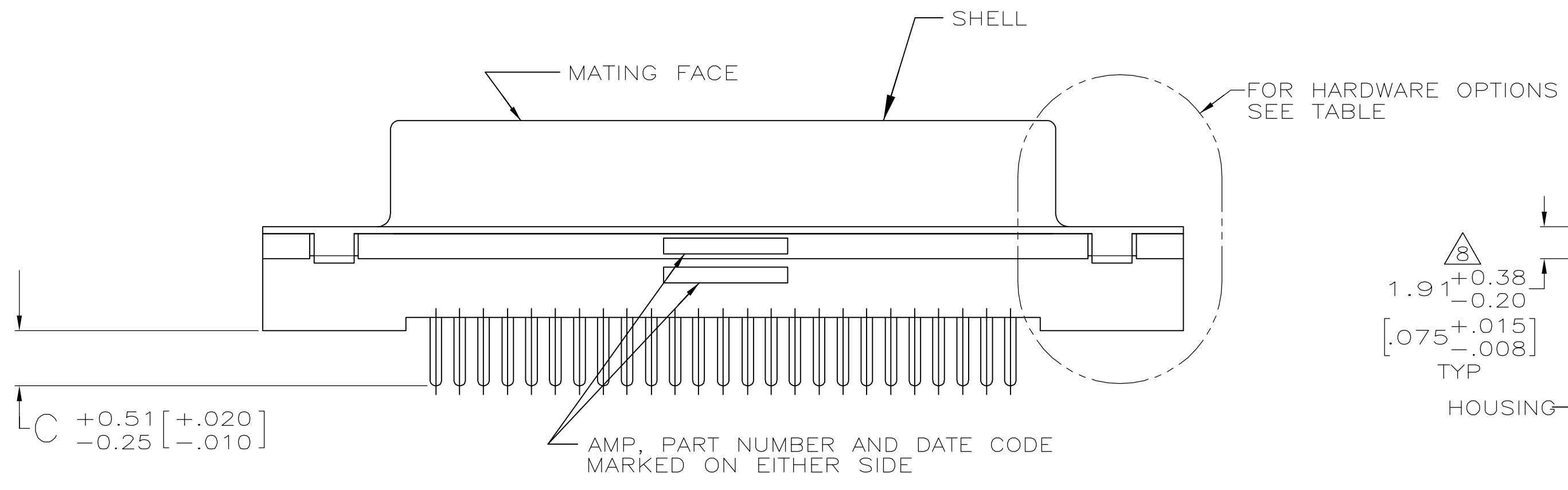
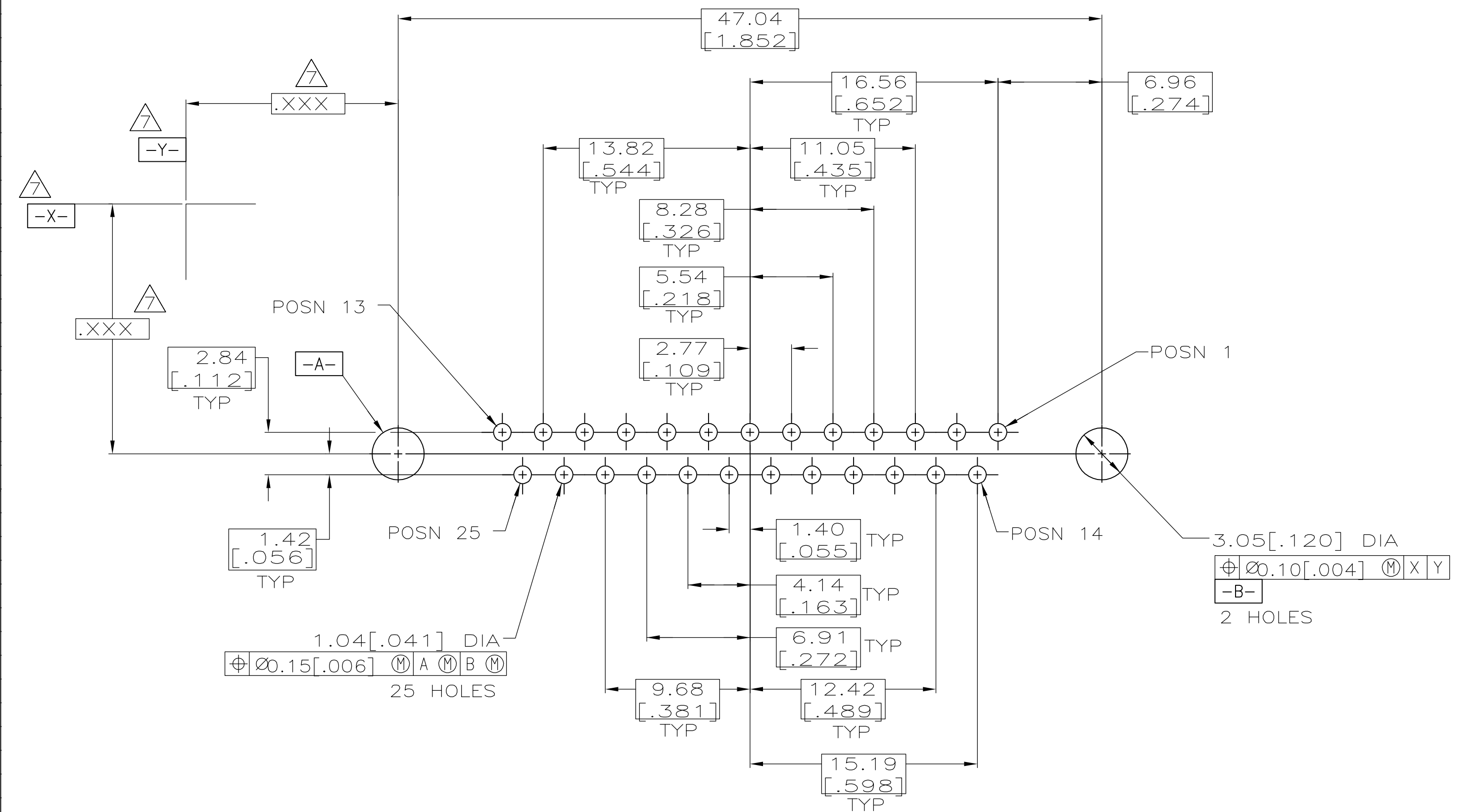


- ① HOUSING; POLYESTER, UL 94V-0 RATED, BLACK.
- ② SHELL; CARBON STEEL PER ASTM A109.
- ③ SHELL; 5.08um [.000200] MIN TIN OVER 2.54um [.000100] MIN COPPER.
- ④ GOLD FLASH FOR A LENGTH OF 2.54[.100] MIN FROM MATING END, 2.54um [.000100] MIN TIN OR TIN-LEAD ON OPPOSITE END, BOTH OVER 1.27um [.000050] MIN NICKEL.
- ⑤ 0.76um [.000030] MIN GOLD FOR A LENGTH OF 2.54 [.100] MIN FROM MATING END, 2.54um [.000100] MIN TIN OR TIN-LEAD ON OPPOSITE END, BOTH OVER 1.27um [.000050] MIN NICKEL.
- ⑥ TIN PLATING PER MIL-T-10727, GOLD PLATING PER MIL-G-45204, NICKEL PLATING PER QQ-N-290, COPPER PLATING PER MIL-C-14550.
- ⑦ DATUMS AND BASIC DIMENSIONS ESTABLISHED BY CUSTOMER.
- ⑧ 2.79[.110] MAX IN SHELL TAB CLINCH AREAS.
- ⑨ OBSOLETE PART NUMBER.
- ⑩ SUPERSEDED BY 745967-2.
- ⑪ SUPERSEDED BY 745967-4.
- ⑫ SUPERSEDED BY 1-745967-4.
- ⑬ SUPERSEDED BY 745967-7.
- ⑭ CONTACTS: POSPHOR BRONZE PER QQ-B-750.
- ⑮ SCREWLOCKS: ZINC.
- ⑯ INSERTS: BRASS.



DETAIL D

DETAIL E



RECOMMENDED PC BOARD MOUNTING DIMENSIONS

W/THREADED INSERTS PER DETAIL D	⑤	1.27 [.050]	⑨ 1-745967-9
W/FEMALE SCREWLOCKS PER DETAIL E	⑤	4.32 [.170]	⑨ 1-745967-6
	④	4.32 [.170]	⑨ 1-745967-5
W/THREADED INSERTS PER DETAIL D	⑤	3.18 [.125]	1-745967-4
	④	3.18 [.125]	⑫ 1-745967-3
	④	6.35 [.250]	⑨ 1-745967-1
	⑤	4.32 [.170]	1-745967-0
W/O FEMALE SCREWLOCKS OR THREADED INSERTS AS SHOWN	④	3.18 [.125]	745967-9
	⑤	3.18 [.125]	745967-8
	④	3.18 [.125]	745967-7
	⑤	6.35 [.250]	⑨ 745967-6
HARDWARE OPTIONS	⑤	4.32 [.170]	745967-4
	④	4.32 [.170]	① 745967-3
	⑤	3.18 [.125]	745967-2
	④	3.18 [.125]	⑩ 745967-1

THIS DRAWING IS A CONTROLLED DOCUMENT. **tyco Electronics** Tyco Electronics Corporation, Harrisburg, PA 17105-3608

DIMENSIONS: mm [INCHES]	TOLERANCES UNLESS OTHERWISE SPECIFIED:	0 PLC ± -	1 PLC ± -	2 PLC ± .013 [.005]	3 PLC ± -	4 PLC ± -	ANGLES ± -
FINISH: ③/⑥		CONTACTS: SEE TABLE		CUSTOMER DRAWING		SCALE: 4:1 SHEET 1 of 1 REV P	

RECEPTACLE ASSY, SIZE 3, 25 POSITION FRONT METAL SHELL, WITH OR WITHOUT SCREWLOCKS OR INSERTS.

108-40025  
114-40023  
00779 ©=745967