

Distributed by:

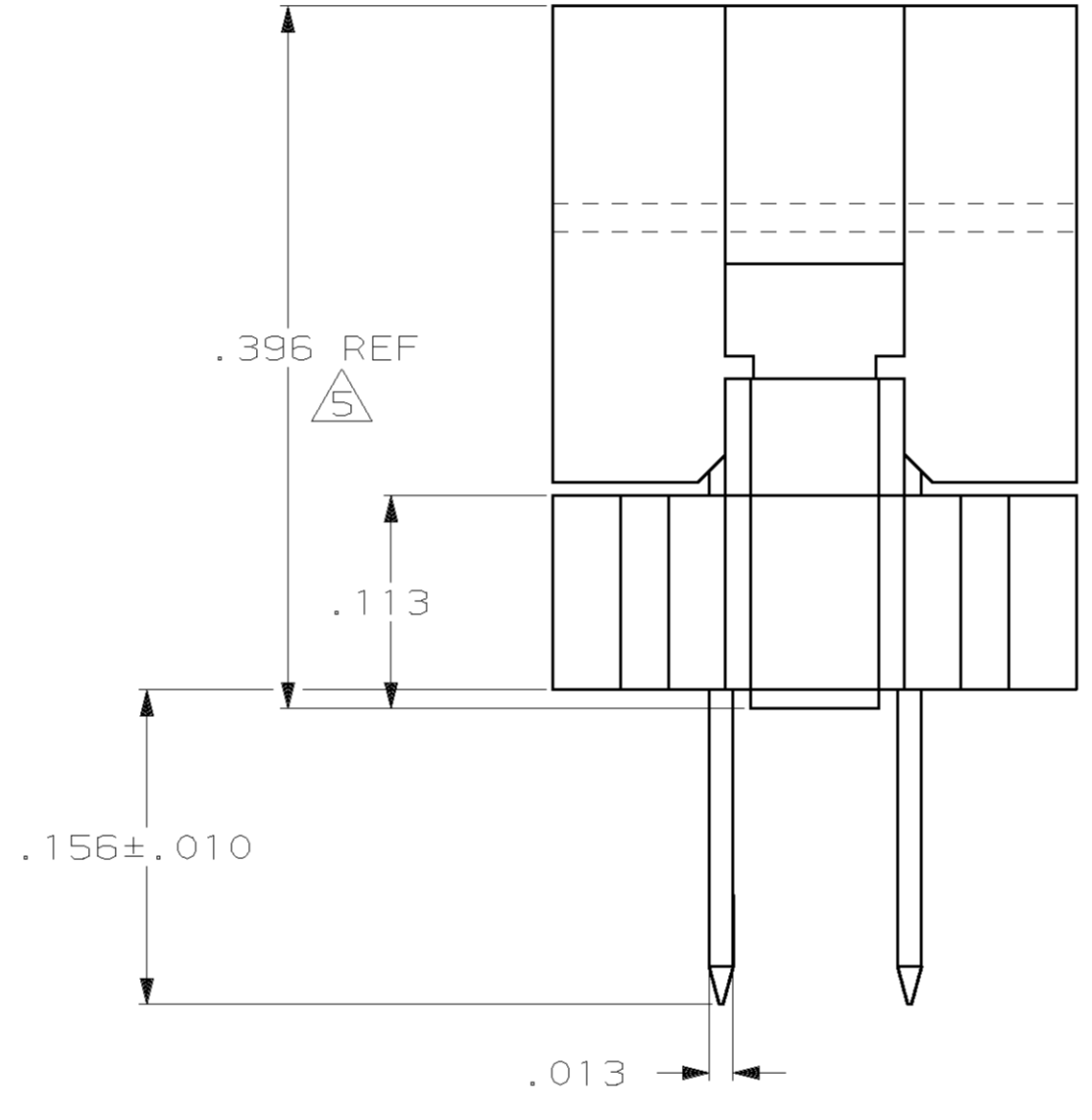
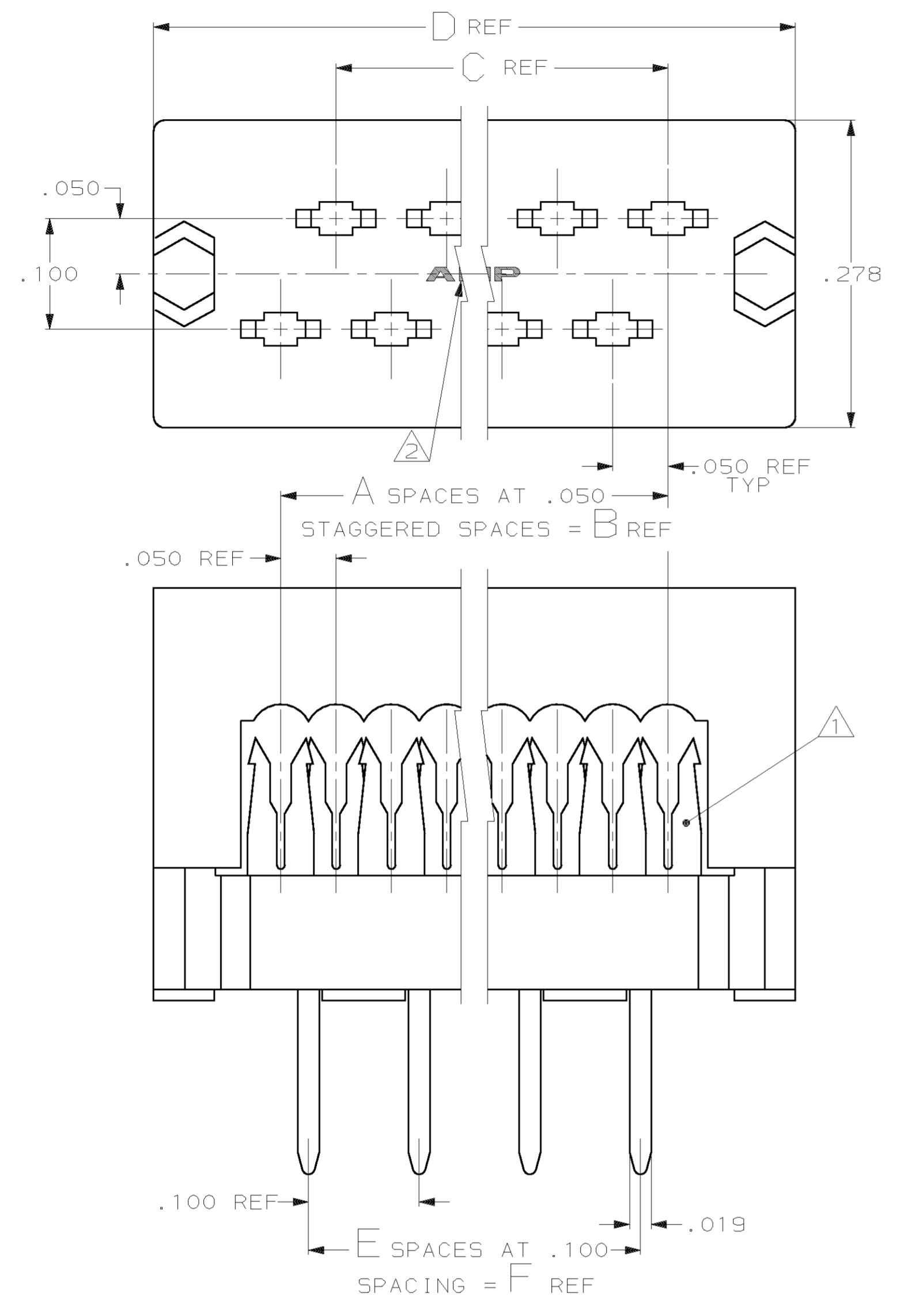
JAMECO[®]
ELECTRONICS

www.Jameco.com ♦ 1-800-831-4242

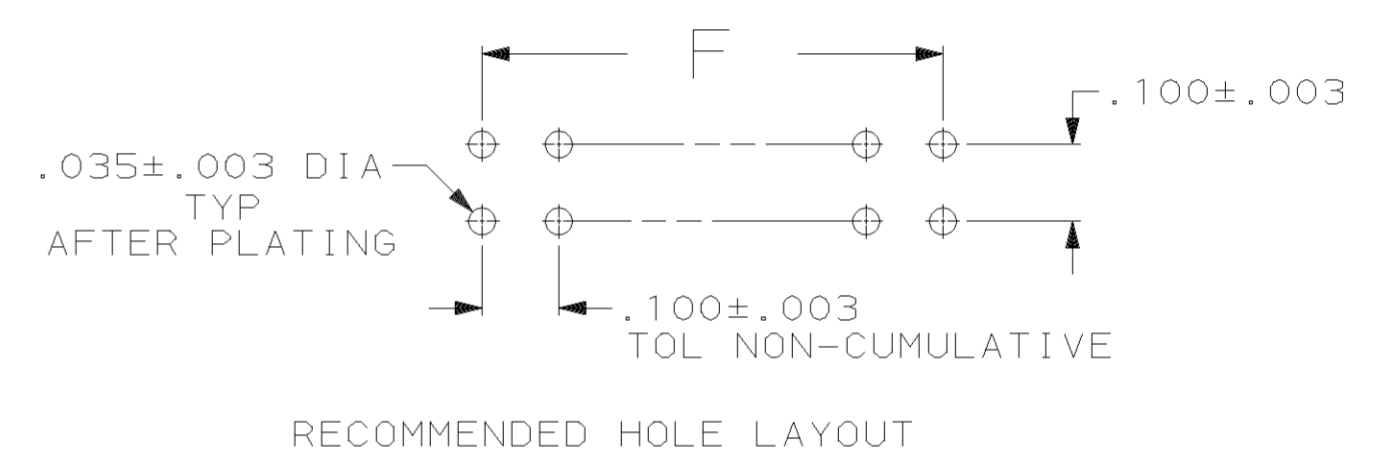
The content and copyrights of the attached
material are the property of its owner.

Jameco Part Number 1963124

LOC		DIST		REVISIONS				
GP	00	P	F	ZONE	LTR	DESCRIPTION	DATE	APPD
				E	REV PER EC	0513-0180-03	06/03	CR



- 1 CONTACTS DESIGNED FOR 28 AWG STRANDED OR 26, 28, & 30 AWG SOLID WIRE.
- 2 AMP TRADEMARK LOCATED IN APPROX AREA SHOWN.
- 3 STANDOFFS: POS 10 (2) STANDOFFS AS SHOWN.
 14-16 (3) STANDOFFS, (1) CENTERED BETWEEN (2) SHOWN
 20-26 (4) (2)
 30 (5) (3)
 34 (6) (4)
 40-44 (7) (5)
 50 (8) (6)
 60 (9) (7)
 64 (10) (8)
- 4 .000100-.000200 BRIGHT TIN LEAD, ALL OVER .000050 NICKEL.
- 5 HEIGHT AFTER TERMINATION IS .253 REF.
- 6 .000100-.000200 BRIGHT TIN, ALL OVER .000050 NICKEL.

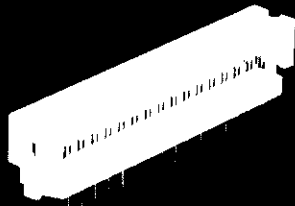


CONTACT FINISH	F	E	D	C	B	A	NO OF POSN	PART NO
6	2.400	24	2.680	2.400	2.450	49	50	2-746610-0
6	1.900	19	2.180	1.900	1.950	39	40	1-9
6	1.600	16	1.880	1.600	1.650	33	34	1-8
6	1.400	14	1.680	1.400	1.450	29	30	1-7
6	1.200	12	1.480	1.200	1.250	25	26	1-6
6	.900	9	1.180	.900	.950	19	20	1-5
6	.700	7	.980	.700	.750	15	16	1-4
4	2.100	21	2.380	2.100	2.150	43	44	1-3
4	3.100	31	3.380	3.100	3.150	63	64	1-2
4	2.900	29	3.180	2.900	2.950	59	60	1-1
4	2.400	24	2.680	2.400	2.450	49	50	1-0
4	1.900	19	2.180	1.900	1.950	39	40	-9
4	1.600	16	1.880	1.600	1.650	33	34	-8
4	1.400	14	1.680	1.400	1.450	29	30	-7
4	1.200	12	1.480	1.200	1.250	25	26	-6
4	1.100	11	1.380	1.100	1.150	23	24	-5
4	.900	9	1.180	.900	.950	19	20	-4
4	.700	7	.980	.700	.750	15	16	-3
4	.600	6	.880	.600	.650	13	14	-2
4	.400	4	.680	.400	.450	9	10	746610-1

UNLESS OTHERWISE SPECIFIED DIMENSIONS ARE IN INCHES TOLERANCES ON: 2 PL DEC ± .005 3 PL DEC ± .005 ANGLES ± .	DR	W.E. ZELKO	1-10-86	AMP INCORPORATED Harrisburg, Pa. 17105	
	CHK	J. PEACHEY	1-8-86		
MATERIAL MOLDED PARTS: 94V-0 RATED THERMOPLASTIC, COLOR: BLACK CONTACTS: PHOS BRONZE	APPD	M. SCULLY	1-10-86	NAME KIT, AMP-LATCH DIP PLUG, PREASSEMBLED .100 X .100 CENTERS, FULL TIN PLATED CONTACTS	
	APPD	D. HOFFMAN	1-10-86		
FINISH CONTACTS: SEE TABLE	PRODUCT SPEC	108-40013	SIZE	FSCM NO	DRAWING NO
	APPLICATION SPEC	114-40005	D	00779	746610
	WEIGHT	-	SCALE	NTS	SHEET 1 OF 1

DIP Plugs .100 x .100 [2.54 x 2.54] Centers

Housing Assembly with Cover (Preassembled)



Material and Finish:

Housing & Cover—Black thermoplastic, 94V-0 rated

Contacts—Phosphor bronze, plated .000100-.000200 [0.00254-0.00508] bright tin-lead over .000050 [0.00127] nickel on entire contact

Related Product Data:

Electrical Characteristics—page 5

Ribbon Cable—page 40

Application Tooling—pages 81 & 82

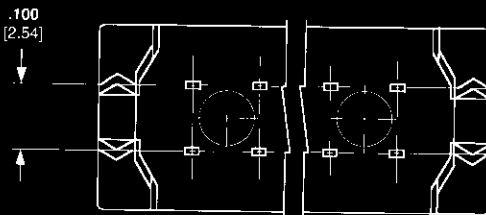
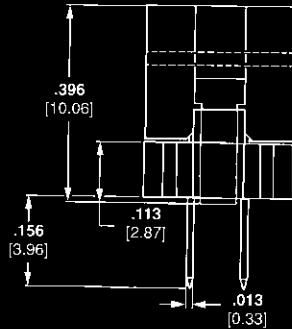
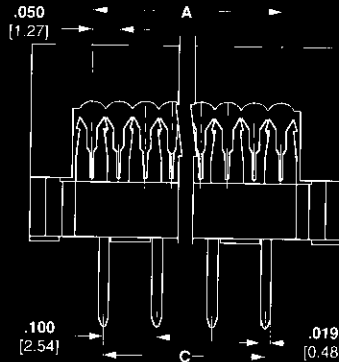
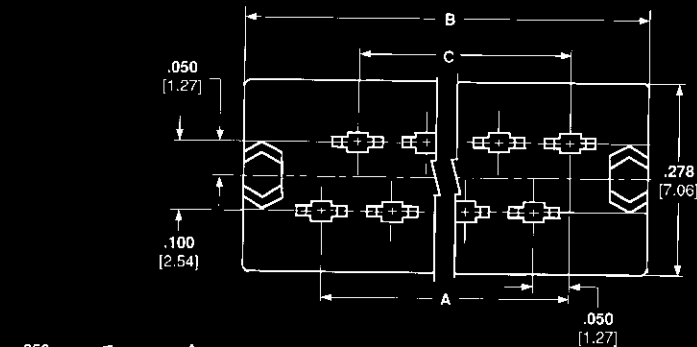
Technical Documents:

Product Specifications—

108-1538 DIP Plug
108-40004 Ribbon Cable,
PVC Insulated, AMP

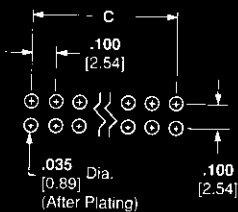
Instruction Sheets:

Instructional material covering operation, setup, maintenance, repair, etc. is included with each machine, tool or die set. If this material is required prior to receiving your tooling, call the **AMP Tooling Assistance Hotline 1-800-722-1111** for the applicable documents.



*Height of connector after termination is .253 [6.43] ref.

*Certain sizes also available on .300 [7.62] and .600 [15.24] centers. Call AMP Engineering for details.



No. of Pos.	Dimensions			DIP Plugs (Preassembled)	Retention Legs
	A	B	C		
10	.450 11.43	.680 17.27	.400 10.16	746610-1	111382-1
14	.650 16.51	.880 22.35	.600 15.24	746610-2	111382-2
16	.760 19.05	.980 24.89	.700 17.78	746610-3	111382-3
20	.950 24.13	1.180 29.97	.900 22.86	746610-4	111382-4
24	1.150 29.21	1.380 35.05	1.100 27.94	746610-5	111382-5
26	1.250 31.75	1.480 37.59	1.200 30.48	746610-6	111382-6
30	1.450 36.83	1.680 42.67	1.400 35.56	746610-7	111382-7
34	1.650 41.91	1.880 47.75	1.600 40.64	746610-8	111382-8
40	1.950 49.53	2.180 55.37	1.900 48.26	746610-9	111382-9
44	2.150 54.61	2.380 60.45	2.100 53.34	1-746610-3	1-111382-3
50	2.450 62.23	2.680 68.07	2.400 60.96	1-746610-0	1-111382-0
60	2.950 74.93	3.180 80.77	2.900 73.66	1-746610-1	1-111382-1
64	3.150 80.01	3.380 85.85	3.100 78.74	1-746610-2	1-111382-2

*Range also available in .110 [2.79] tail length, with and without retention legs, call AMP Engineering for details.
Note: All plug kits include a housing assembly and cover (preassembled).

DIP Plugs

- [Home](#)
- [Part Number Search](#)
- [Document Search](#)
- [Text Search](#)
- [Alternate Part Search](#)
- [Multiple Part Comparison](#)
- [Alphabetical Search](#)
- [Brand Search](#)
- [Industry Product Search](#)
- [Product Type Search](#)
- [Product Family Search](#)
- [Competitor Cross Reference](#)
- [Lead Free Solutions](#)
- [Help/Glossary](#)

Current Brand View	View All Tyco Electronics Brands Click to activate links to all other products
AMP	

Ribbon Cable Connector System (AMP-LATCH)

Ribbon Cable Connectors (AMP-LATCH)

AMP **746610-3** **Active** [Active](#)

(Tyco Electronics P/N: 746610-3)

[CAD Geometry](#) | [Search for Parts](#) | [Previous](#) [1] [2](#) [3](#) [4](#) [5](#) [6](#) [7](#) [8](#) [9](#) [Next](#)

Document links for this part cannot be displayed. Your browser does not support inline frames or is currently configured not to display inline frames. Inline frames are supported in both Internet Explorer 5 and Netscape 6, as well as all later versions of these browsers.

Related Part Information		
General Information	eCommerce	Related Part Information
<input type="checkbox"/> General Info <input type="checkbox"/> Sales Info <input type="checkbox"/> Assembly Subcontractors	<input type="checkbox"/> Pricing <input type="checkbox"/> Product Availability	

Photos & Line Drawings - The photographs and/or line drawings are representative images of a product for viewing purposes only.

[Product Photo](#)

Searchable Features:	
Brand:	AMP
Connector Type:	DIP (Dual In Line Package)
No. of Positions:	16
Gender:	Plug
Mating Polarization:	No
Terminate To:	Printed Circuit Board
Mounting Ears:	Without
Contact Mating Area Plating:	Tin
Contact Termination Area Plating:	Tin

Other Properties:	
Centerline, Matrix (mm [in]):	2.54 x 2.54 [.100 x .100]
With Cover Preassembled:	Yes
Contact Material:	Phosphor Bronze
Housing Material:	Thermoplastic
Housing Flammability Rating:	UL 94V-0
Housing Color:	Black
Special PCB Retention Method:	Kinked Leg Post

Special PCB Retention:	No
Cable Stop:	Without
Mating Connector Lock:	Without
Strain Relief:	Without

[Copyright](#) and [Privacy Statement](#)

Visit [Tyco International, Ltd.](#)

[Products](#) | [Catalog](#) | [Brands](#) | [Industries](#) | [Commerce](#) | [Supplier](#) | [Customer Service](#) | [About](#) | [Home](#)