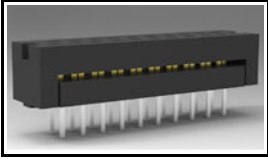


## 1-746610-8 Product Details

[Share](#) [Print](#) [Email](#)




1-746610-8

TE Internal Number: 1-746610-8

 Active

[View 3D PDF](#)

### AMP-LATCH Ribbon Cable Connectors

 Always EU RoHS/ELV Compliant  
(Statement of Compliance)

#### Product Highlights:

- AMP-LATCH Product Line
- Wire-to-Board
- Applies To Printed Circuit Board
- Connector Assembly
- Connector Style = Plug

[View all Features](#)

### Quick Links

- ▶ [Pricing & Availability](#)
- ▶ [Search for Tooling](#)
- ▶ [Product Feature Selector](#)
- ▶ [Contact Us About This Product](#)

[Add to My Part List](#)

[Request Sample](#)

[Find Similar Products](#)

[Buy Product](#)

### Documentation & Additional Information

#### Product Drawings:

- [KIT, AMP-LATCH DIP PLUG, PREASSEMBLED, .100 X .100 C...](#) (PDF, English)

#### Catalog Pages/Data Sheets:

- [7-1773458-6\\_AMPLATCH\\_QRG](#) (PDF, English)
- [Ribbon Cable Interconnect Solutions](#) (PDF, English)

#### Product Specifications:

- [Connector, Round Conductor Cable, Paddleboard & Plug...](#) (PDF, English)

#### Application Specifications:

- None Available

#### Instruction Sheets:

- [Connector-Specific Kit for AMP-LATCH DIP Connectors](#) (PDF, English)

#### CAD Files: (CAD Format & Compression Information)

- [2D Drawing](#) (DXF, Version G)
- [3D Model](#) (IGES, Version G)
- [3D Model](#) (STEP, Version G)

[List all Documents](#)

#### Additional Information:

- [Product Line Information](#)

#### Related Products:

- [Tooling](#)

### Product Features (Please use the Product Drawing for all design activity)

#### Product Type Features:

- Product Line = AMP-LATCH
- Connector Type = Connector Assembly
- PCB Mounting Orientation = Vertical
- PCB Mount Retention = Without
- PCB Mount Alignment = Without
- UL File Number = E28476
- CSA File Number = LR 7189

#### Electrical Characteristics:

- Contact - Rated Current (A) = 1
- Operating Voltage Reference = AC
- Operating Voltage (VAC) = 250

#### Termination Features:

- Wire/Cable Size (AWG) = 26 - 30

#### Housing Features:

- Connector Style = Plug
- Centerline (mm [in]) = 2.54 [0.100]
- Housing Color = Black
- UL Flammability Rating = UL 94V-0

#### Configuration Features:

- [Number of Positions](#) = 34
- Number of Rows = 2
- Tail Orientation = In-line

#### Industry Standards:

- [RoHS/ELV Compliance](#) = RoHS compliant, ELV compliant
- [Lead Free Solder Processes](#) = Wave solder capable to 240°C, Wave solder capable to 260°C, Wave

- Wire/Cable Size (mm<sup>2</sup>) = 0.051 – 0.15
- Wire/Cable Size (CMA) = 101 – 296
- Termination Method to PC Board = Through Hole - Solder
- Termination Method to Wire/Cable = Insulation Displacement Crimp (IDC)

**Dimensions:**

- Tail Length (mm [in]) = 3.96 [0.156]
- PCB Thickness, Recommended (mm [in]) = 3.18 [0.125]
- Length (X-Axis) (mm [in]) = 47.75 [1.8799]
- Width (Z-Axis) (mm [in]) = 7.06 [0.278]
- Profile Height (Y-Axis) (mm [in]) = 6.43 [0.253]

**Body Features:**

- Row-to-Row Spacing (mm [in]) = 2.54 [0.100]

**Contact Features:**

- Contact Type = Pin
- Contact Base Material = Phosphor Bronze
- [Contact Plating](#), [Mating Area](#), [Material](#) = Gold or Palladium Nickel or Performance Based
- Contact Plating, Mating Area, Thickness (µm [µin]) = 2.54 [100]
- Contact Plating, Termination Area, Material = Tin
- Contact Plating, Termination Area, Thickness (µm [µin]) = 2.54 [100]

solder capable to 265°C

- RoHS/ELV Compliance History = Always was RoHS compliant
- Agency/Standard = UL, CSA
- UL Rating = Recognized
- UL Voltage Rating (VAC) = 250

**Environmental:**

- Operating Temperature (°C [°F]) = -65 – +105 [-85 – +221]

**Conditions for Usage:**

- [Applies To](#) = Printed Circuit Board
- Accepts Wire Insulation Diameter, Range (mm [in]) = 0.81 – 1.07 [0.032 – 0.042]

**Operation/Application:**

- Application Use = Wire-to-Board
- Contact Transmits (Typical Application) = Signal (Data)

**Packaging Features:**

- Packaging Method = Tube

**Other:**

- Series = AMP-LATCH DIP Plug
- Brand = AMP

**Corporate Information**

- [About TE](#)
- [Investors](#)
- [News Room](#)
- [Supplier Portal](#)
- [Careers](#)
- [Terms & Conditions](#)
- [Privacy Policy](#)

**Quick Links**

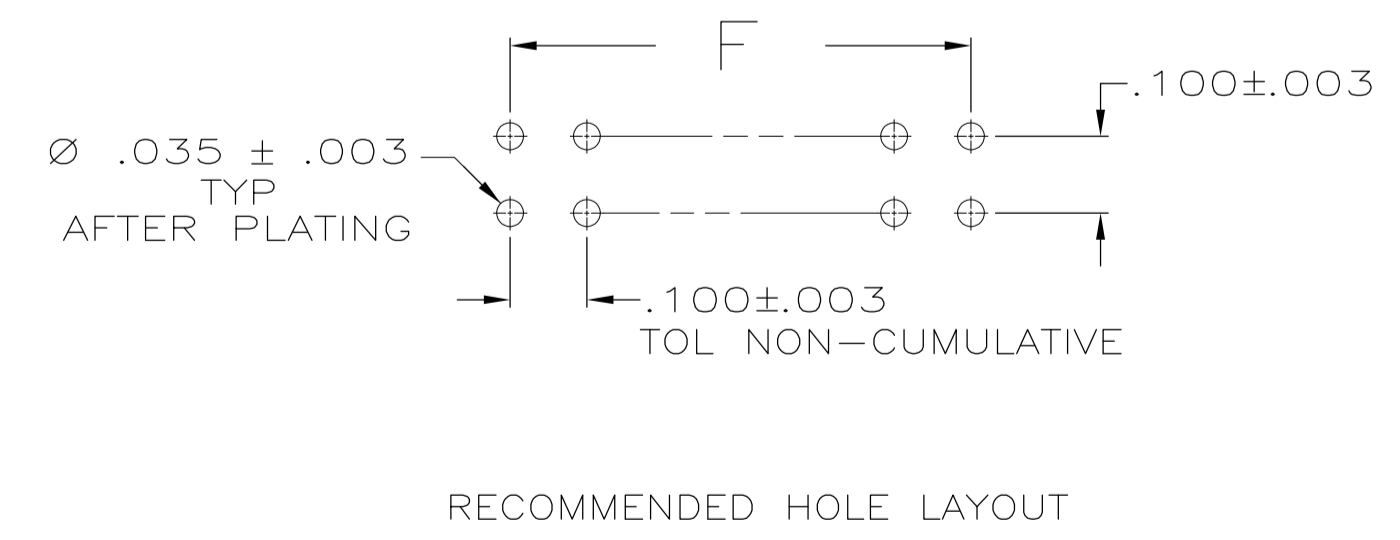
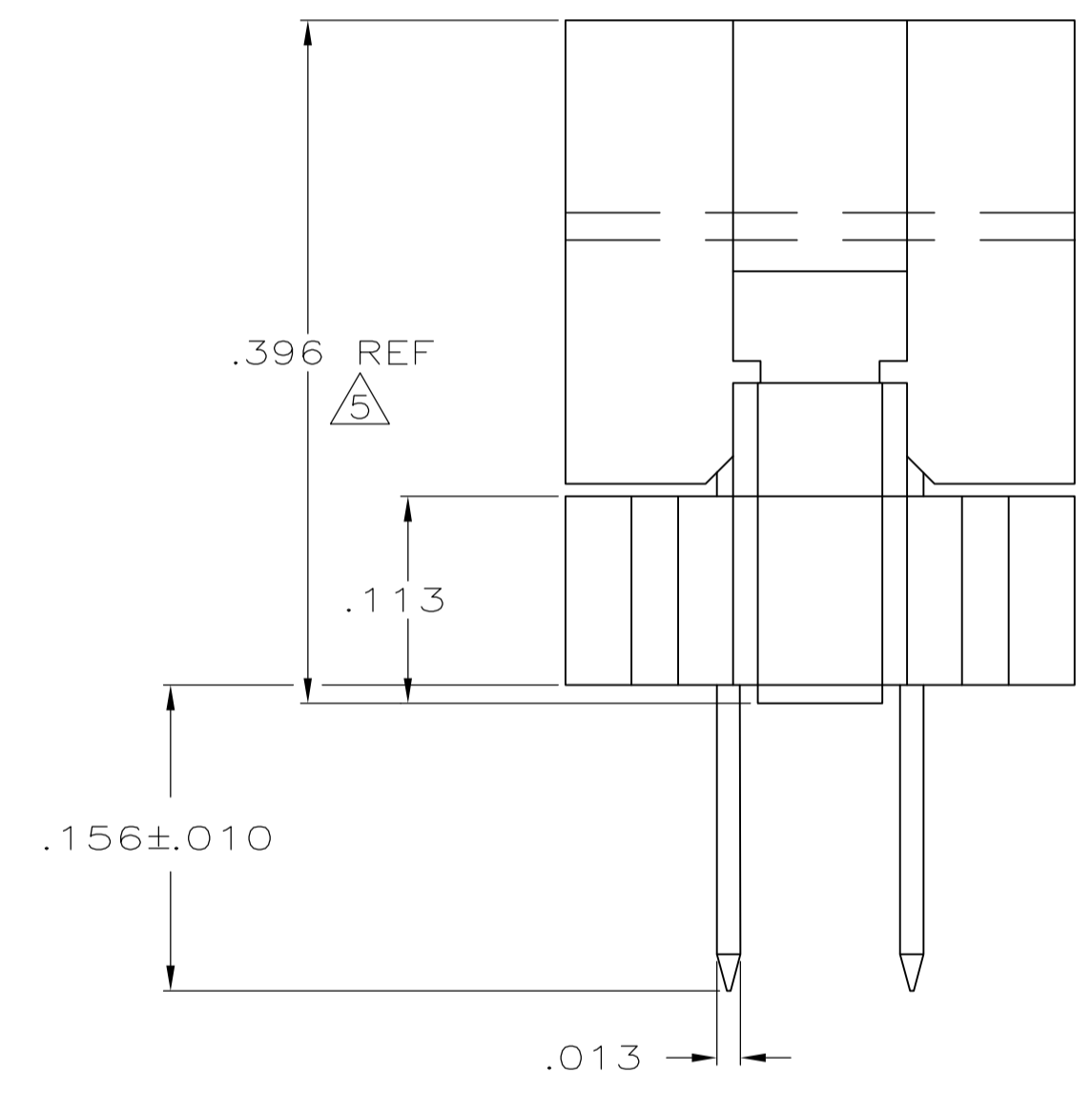
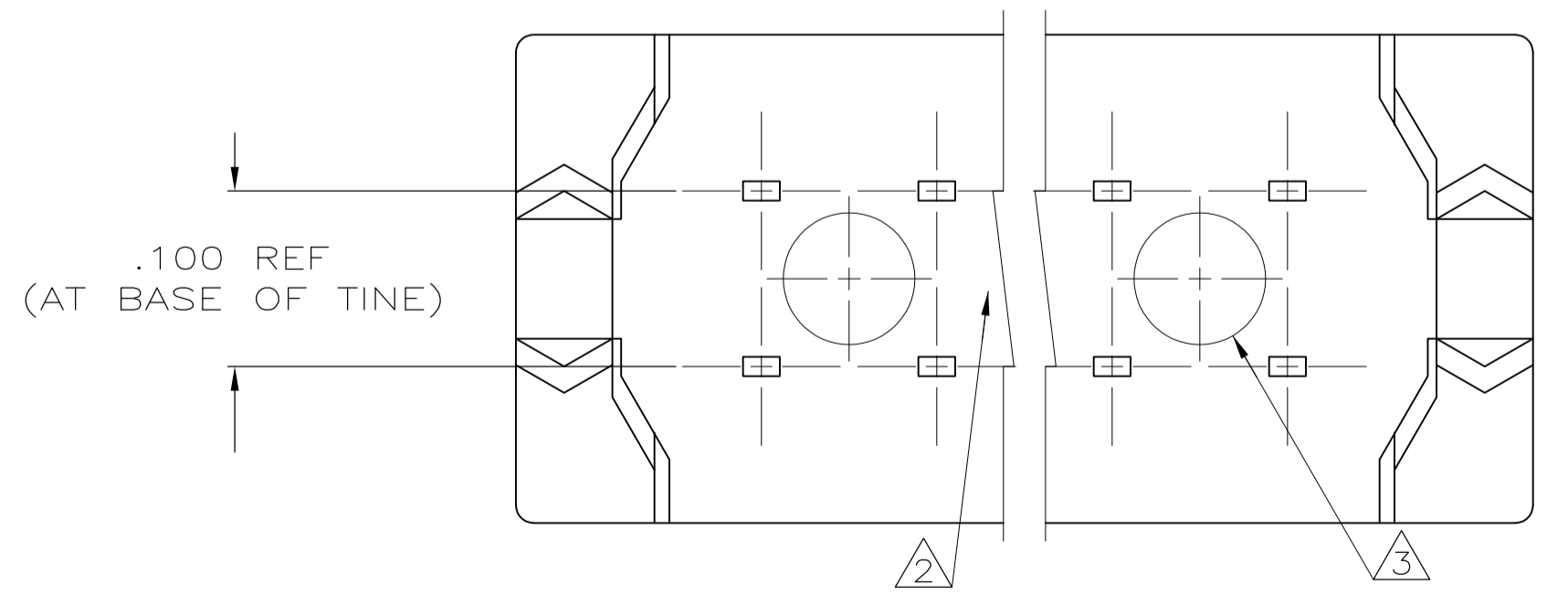
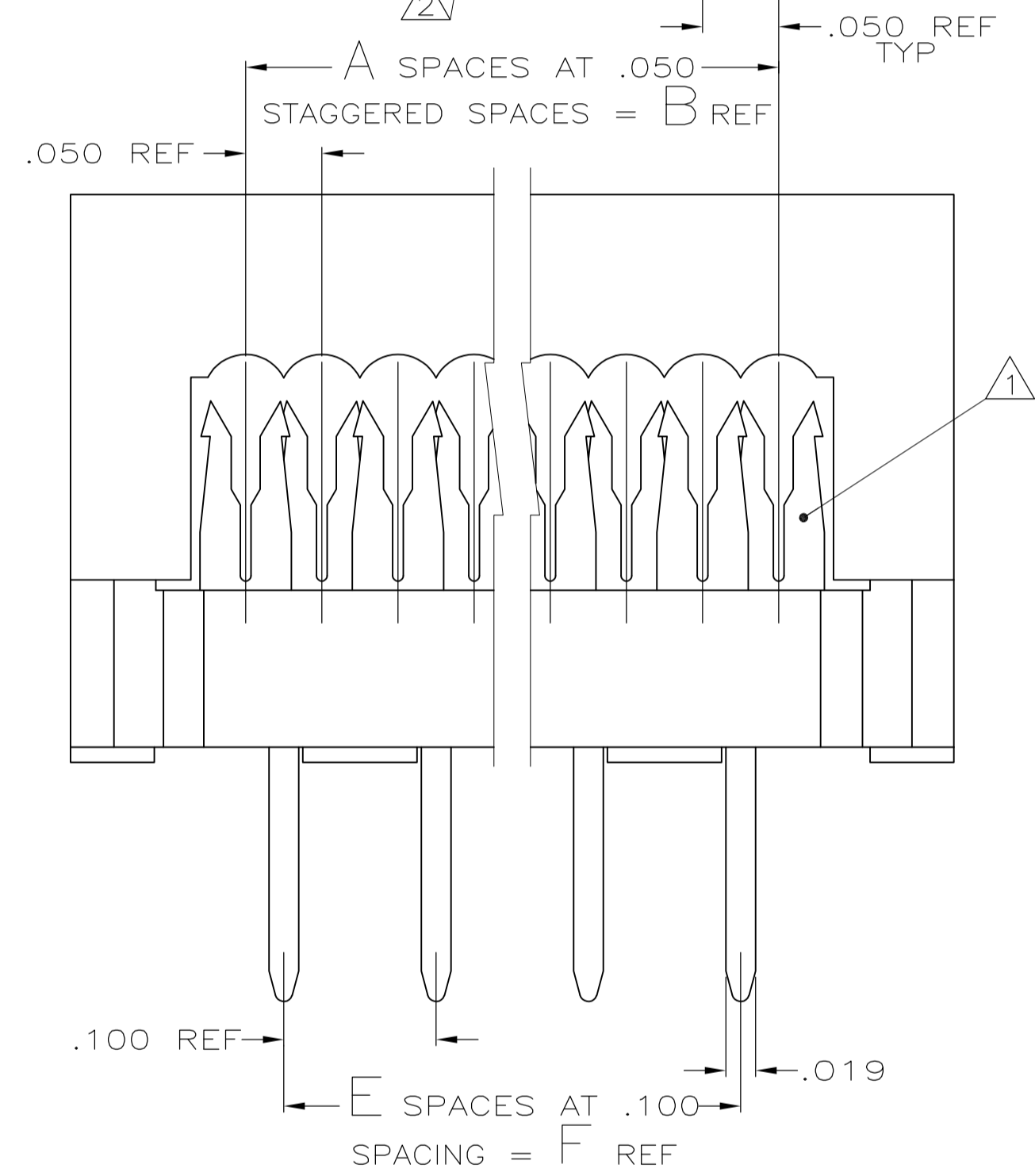
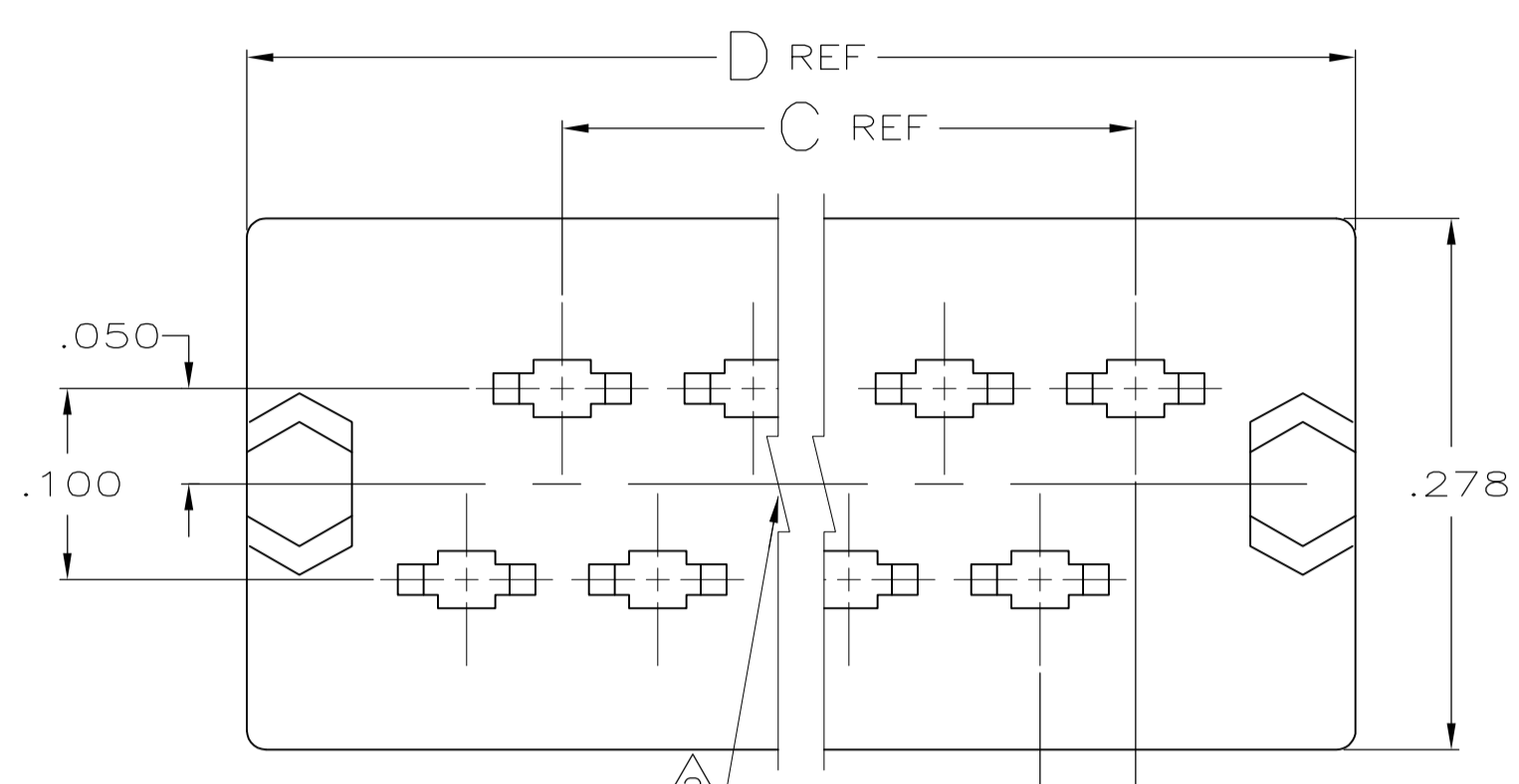
- [Distributor Inventory](#)
- [Product Cross Reference](#)
- [Documents & Drawings](#)
- [Product Compliance Support Center](#)
- [Site Map](#)

**Customer Support**

- [Email or Chat With Us](#)
- [Find a Phone Number](#)
- [Knowledge Base](#)
- [Manage Your Account](#)

**Keep Me Informed**





- △ CONTACTS DESIGNED FOR 26 & 28 AWG STRANDED OR 26, 28, & 30 AWG SOLID WIRE.
- △ AMP TRADEMARK LOCATED IN APPROX AREA SHOWN.
- △ STANDOFFS: POS 10 (2) STANDOFFS AS SHOWN.  
 14-16 (3) STANDOFFS, (1) CENTERED BETWEEN (2) SHOWN  
 20-26 (4) (2)  
 30 (5) (3)  
 34 (6) (4)  
 40-44 (7) (5)  
 50 (8) (6)  
 60 (9) (7)  
 64 (10) (8)
- △ .000100-.000200 BRIGHT TIN LEAD, ALL OVER .000050 NICKEL.
- △ HEIGHT AFTER TERMINATION IS .253 REF.
- △ .000005 MIN GOLD ON RIBBON CABLE TERMINATION AREA  
 .000100-.000200 MIN MATTE TIN ON SOLDER TAILS, ALL OVER .000050 MIN NICKEL.
- △ MOLDED PARTS, 94V-0 RATED THERMOPLASTIC, COLOR: BLACK. CONTACTS: PHOS BRONZE.

△6	2.100	21	2.380	2.100	2.150	43	44	2-746610-6	
△6	3.100	31	3.380	3.100	3.150	63	64	2- -5	
△6	2.900	29	3.180	2.900	2.950	59	60	2- -4	
△6	1.100	11	1.380	1.100	1.150	23	24	2- -3	
△6	.600	6	.880	.600	.650	13	14	2- -2	
△6	.400	4	.680	.400	.450	9	10	2- -1	
△6	2.400	24	2.680	2.400	2.450	49	50	2- -0	
△6	1.900	19	2.180	1.900	1.950	39	40	1- -9	
△6	1.600	16	1.880	1.600	1.650	33	34	1- -8	
△6	1.400	14	1.680	1.400	1.450	29	30	1- -7	
△6	1.200	12	1.480	1.200	1.250	25	26	1- -6	
△6	.900	9	1.180	.900	.950	19	20	1- -5	
△6	.700	7	.980	.700	.750	15	16	1- -4	
OBSOLETE	△4	2.100	21	2.380	2.100	2.150	43	44	1- -3
OBSOLETE	△4	3.100	31	3.380	3.100	3.150	63	64	1- -2
OBSOLETE	△4	2.900	29	3.180	2.900	2.950	59	60	1- -1
OBSOLETE	△4	2.400	24	2.680	2.400	2.450	49	50	1- -0
	△4	1.900	19	2.180	1.900	1.950	39	40	1- -9
OBSOLETE	△4	1.600	16	1.880	1.600	1.650	33	34	1- -8
	△4	1.400	14	1.680	1.400	1.450	29	30	1- -7
OBSOLETE	△4	1.200	12	1.480	1.200	1.250	25	26	1- -6
	△4	1.100	11	1.380	1.100	1.150	23	24	1- -5
	△4	.900	9	1.180	.900	.950	19	20	1- -4
	△4	.700	7	.980	.700	.750	15	16	1- -3
	△4	.600	6	.880	.600	.650	13	14	1- -2
	△4	.400	4	.680	.400	.450	9	10	746610 -1
CONTACT FINISH	F	E	D	C	B	A	NO OF POSN	PART NO	

THIS DRAWING IS A CONTROLLED DOCUMENT.

DIMENSIONS: INCHES	TOLERANCES UNLESS OTHERWISE SPECIFIED:	DIN L VARELA - DOCKS 11-29-86	APVD C ROHDE 11-29-04	CHK M WALSLEY 11-29-04	NAME KIT, AMP-LATCH DIP PLUG, PREASSEMBLED, .100 X .100 CENTERS.
0 PLC ± -	1 PLC ± -	2 PLC ± -	3 PLC ± .005	4 PLC ± -	ANGLES ± -
MATERIAL	FINISH CONTACTS: SEE TABLE	WEIGHT	SIZE A1	CAGE CODE 00779	DRAWING NO 746610
CUSTOMER DRAWING		SCALE NTS	SHEET 1 OF 1	REV H1	