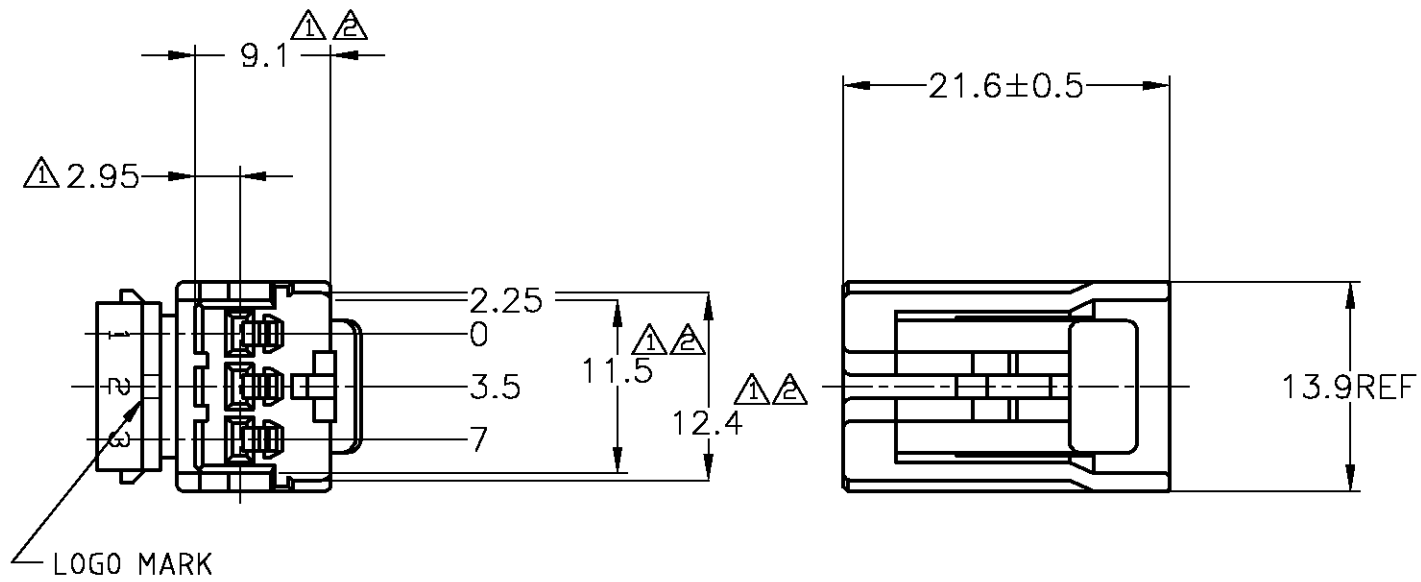
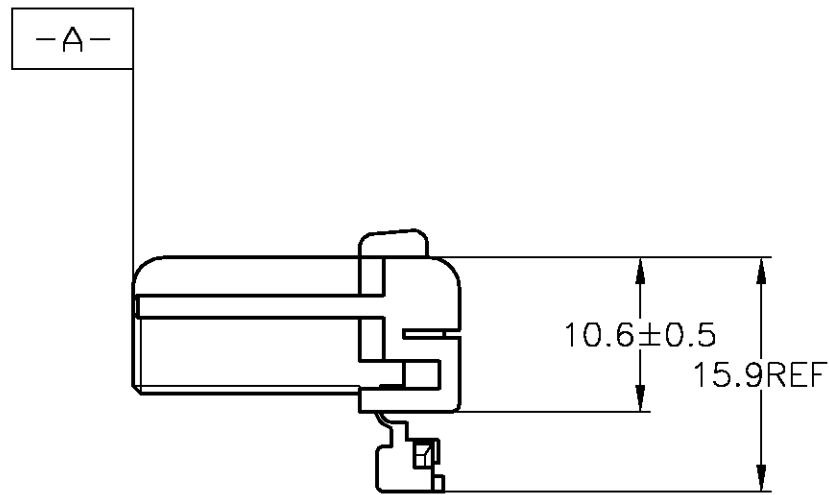


THIS DRAWING IS UNPUBLISHED. RELEASED FOR PUBLICATION
 © COPYRIGHT BY TYCO ELECTRONICS CORPORATION. ALL RIGHTS RESERVED.

LOC	DIST	REVISIONS					
		P	LTR	DESCRIPTION	DATE	DWN	APVD
J	—	D		REDRAWN W/CHANGE ECR-08-016860	15JUL08	SF	KB



- ⚠ [-A-] 面より2mmの範囲で測定
- ⚠ 相手ハウジングと所定の機能を満足して嵌合できること
- 3. 内装するリセブタクルコンタクトは、型番173630及び173631
- ⚠ TO BE MEASURED WITHIN 2mm FROM [-A-]
- ⚠ TO BE MATE WITH CAP HOUSING SMOOTHLY
- 3. APPLICABLE RECEPTACLE CONTACT PART NUMBERS 173630, 173631



V-2	白 (WHITE)	1-174921-1	
HB	黄 (YELLOW)	174921-7	
	灰 (GRAY)	174921-6	
	青 (BLUE)	174921-5	
	緑 (GREEN)	174921-4	
	黒 (BLACK)	174921-2	
	白 (WHITE)	174921-1	
使用材料難燃グレード (FLAMMABILITY OF MATERIAL)		色 (COLOR)	型番 (PART NUMBER)

THIS DRAWING IS A CONTROLLED DOCUMENT.		DWN S.FUJITA 15JUL08		Tyco Electronics Corporation	
DIMENSIONS: 単位: 特 mm TOLERANCES UNLESS OTHERWISE SPECIFIED: 一般公差 0 PLC ±- 1 PLC ±- 2 PLC ±- 3 PLC ±- 4 PLC ±- ANGLES ±-		CHK T.SHINOHARA 15JUL08		Tyco Electronics Corporation Kawasaki, Japan	
		APVD K.BETSUI 15JUL08		NAME 070 SERIES MULTILOCK CONNECTOR 3POSITION PLUG HOUSING	
MATERIAL PBT		FINISH 仕上 -		PRODUCT SPEC 製品規格 108-5216, 5264	
		WEIGHT 1.9g		APPLICATION SPEC 取付適用規格 -	
		CUSTOMER DRAWING		SIZE A3 CAGE CODE 00779 DRAWING NO C-174921 RESTRICTED TO -	
		SCALE 2:1		SHEET 1 OF 1 REV D	