

# .070 MULTILOCK Connectors Wire to wire Applications

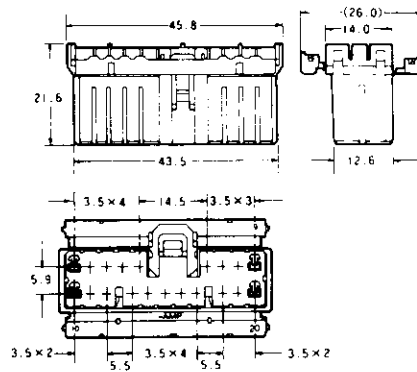
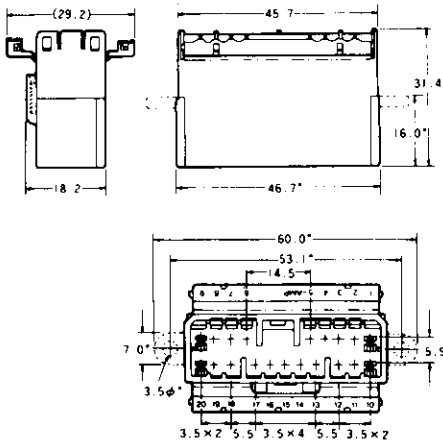
Cap

Plug

Part Number : 174936-□  
Part Number : 174938-□ (Panel Mount Type)

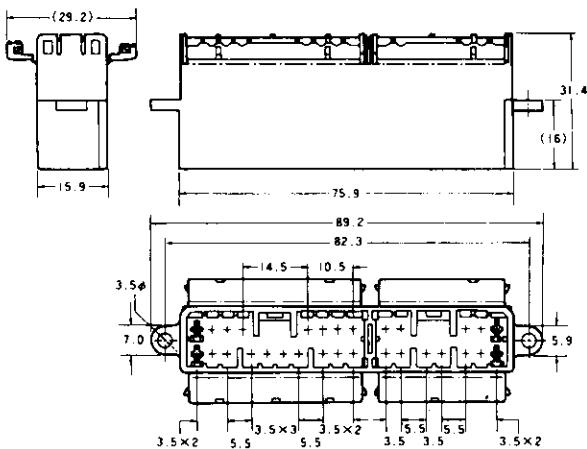
**20**  
Pos.

Part Number : 174952-□



Part Number : 174939-□ (Panel Mount Type)

**30**  
Pos.



Accepts 12 pos. and 18 pos. plugs.

18pos. plugs.

Part Number : 173853-□

12pos. plugs.

Part Number : 173851-□

\*The material of housing is of PBT.

\*The figures in □ after part numbers vary according to housing colors, etc.