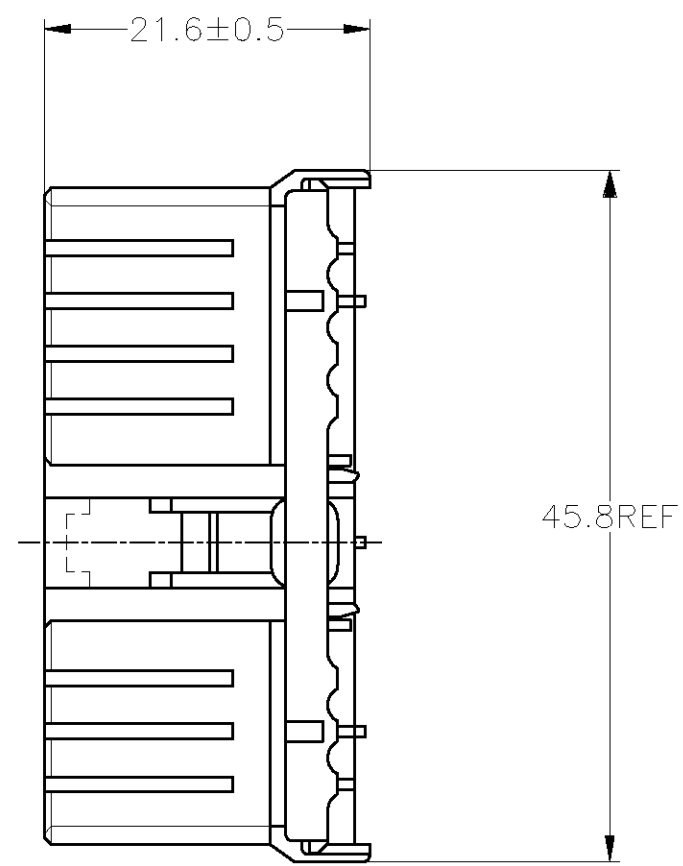
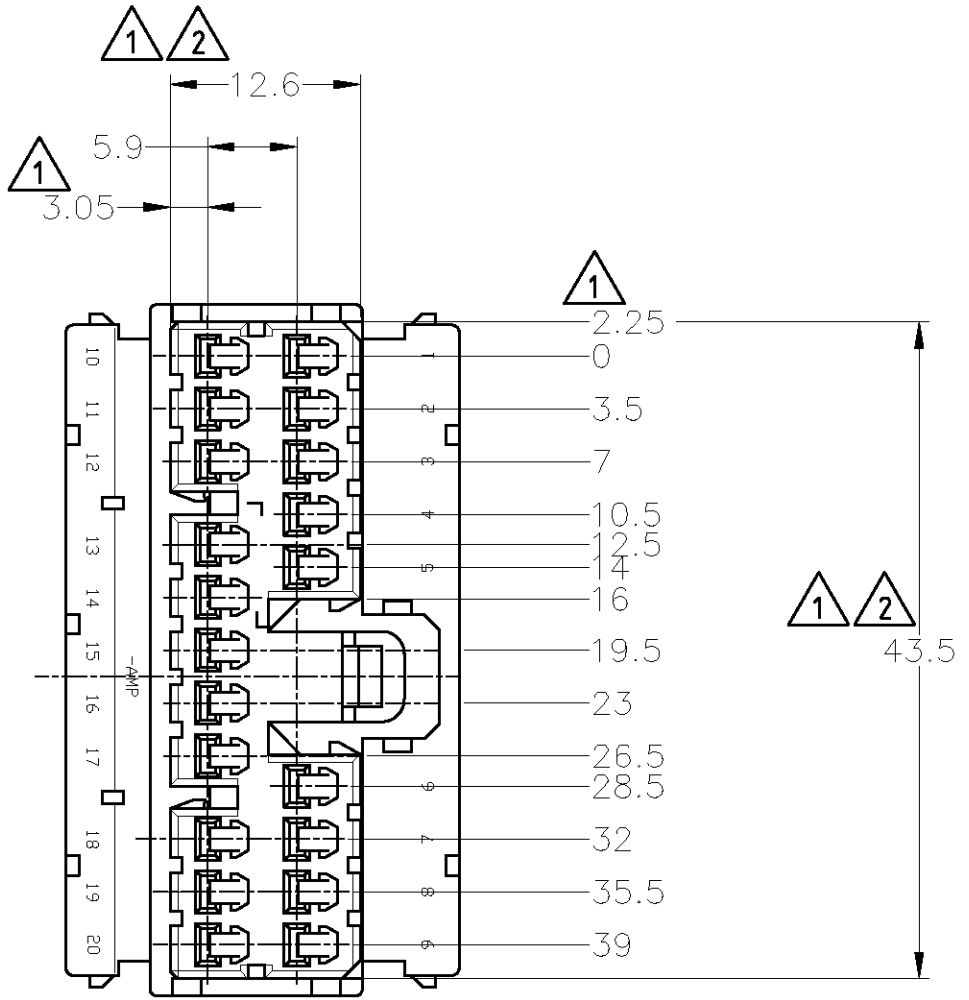
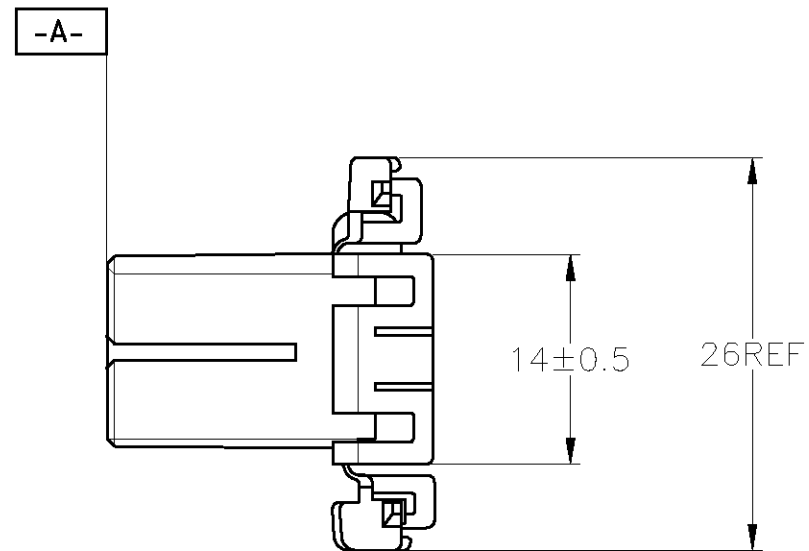


THIS DRAWING IS UNPUBLISHED. RELEASED FOR PUBLICATION  
 © COPYRIGHT BY TYCO ELECTRONICS CORPORATION. ALL INTERNATIONAL RIGHTS RESERVED.

LOG	DIST	REVISIONS			
P	LTR	DESCRIPTION	DATE	DWN	APVD
J	-	E1 REVISED ECR-08-031766	09DEC08	SF	KB



1. MUST BE KEPT BETWEEN **-A-** AND 2
  2. TO BE MATED WITH PLUG HOUSING SMOOTHLY
  3. APPLIED TAB CONTACT; P/N 173630 AND 173631
  4. APPLIED PLUG HOUSING; P/N 173936 etc
1. **-A-** 面より2mmの範囲で測定
  2. 相手ハウジングと所定の機能を満足して嵌合できること
  3. 内装するタブコンタクトは型番173630、173631
  4. 嵌合相手ハウジング型番174936 他



V-2	白 (WHITE)	1-174952-1
HB	黄 (YELLOW)	174952-7
	灰 (GRAY)	174952-6
	青 (BLUE)	174952-5
	緑 (GREEN)	174952-4
	白 (WHITE)	174952-1
使用材料難燃グレード (FLAMMABILITY OF MATERIAL)	色 (COLOR)	型番 (PART NUMBER)

TOLERANCES UNLESS OTHERWISE SPECIFIED:

10 <sub>z</sub>	: ±0.2
30 <sub>z</sub>	> 10 : ±0.25
	> 30 : ±0.3
ANGLE	: 3°

THIS DRAWING IS A CONTROLLED DOCUMENT.

DIMENSIONS:	TOLERANCES UNLESS OTHERWISE SPECIFIED:
mm	0 PLC ± -
	1 PLC ± -
	2 PLC ± -
	3 PLC ± -
	4 PLC ± -
	ANGLES ± -
MATERIAL	FINISH
PBT	-

DWN	S.FUJITA	09DEC08	Tyco Electronics Corporation Kawasaki, Japan		
CHK	K.BETSUI	09DEC08			
APVD	K.BETSUI	09DEC08			
PRODUCT SPEC	NAME				
APPLICATION SPEC	070 SERIES MULTILOCK CONNECTOR 20POSITION PULG HOUSING				
WEIGHT	—	SIZE	CAGE CODE	DRAWING NO	RESTRICTED TO
CUSTOMER DRAWING	—	A3	00779	C-174952	—
SCALE		2:1	SHEET		1 OF 1
REV		E1			