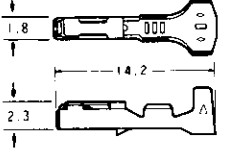
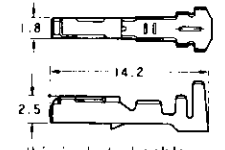
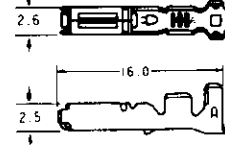
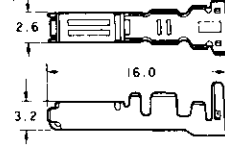


.040/.070 Hybrid I/O Connectors Wire to Board Applications

Receptacle Contact (For Hinge double-lock type)

Contact	Wire Range	Wire Ins. Diameter	Material/Finish	Part No.		Hand Tool No. (Instruction Sheet)
				S.T.	L.P.	
.040 Receptacle 	0.3-0.5mm ² (AWG#22-20)	Ø1.4-2.0mm	Copper Alloy/Pre-tin	173716-1	175061-1	91577-1 (411-5417)
			Copper Alloy/Sel. Gold	173716-2	175061-2	
Crimp Specifications : 114-5111						
.040 Receptacle 	0.3-0.5mm ² (AWG#22-20)	Ø1.1-1.3mm	Copper Alloy/Pre-tin	175094-1	—	—
			Copper Alloy/Sel. Gold	175094-2	—	
For an extra-thin jacketed cable. Crimp Specifications : 114-5133						
.070 Receptacle 	0.2-0.5mm ² (AWG#22-20)	Ø1.4-2.0mm	Brass/Pre-tin	173630-1	175026-1	91580-1 (411-5481)
			Brass/Sel. Gold	173630-2	175026-2	
	0.5-1.25mm ² (AWG#20-16)	Ø2.0-2.6mm	Brass/Pre-tin	173631-1	175027-1	91573-1 (411-5480)
			Brass/Sel. Gold	173631-2	175027-2	
Crimp Specifications : 114-5091						
.070 Receptacle 	0.3-0.5mm ² (AWG#22-20)	Ø1.1-1.3mm	Brass/Pre-tin	175124-1	—	—
			Brass/Sel. Gold	175124-2	—	
	0.5-1.25mm ² (AWG#20-16)	Ø1.3-1.8mm	Brass/Pre-tin	175095-1	—	—
For an extra-thin jacketed cable. Crimp Specifications : 114-5134						

Plug (Hinge double-lock type)

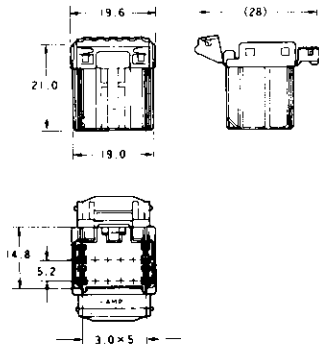
12
Pos.

Part Number : □-174913-□

■Part numbers of mating cap housings

76Pos. : □-178780-□ 76Pos. : □-174915-□

*Only .040 receptacle contact are accepted.



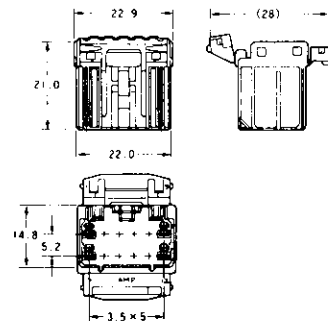
Part Number : □-175442-□

■Part numbers of mating cap housings

34Pos. : □-175444-□ 54Pos. : □-175448-□

38Pos. : □-178093-□

*Only .070 receptacle contact are accepted.



*The material of housing is of PBT.

*The figures in □ after part numbers vary according to housing colors, etc.