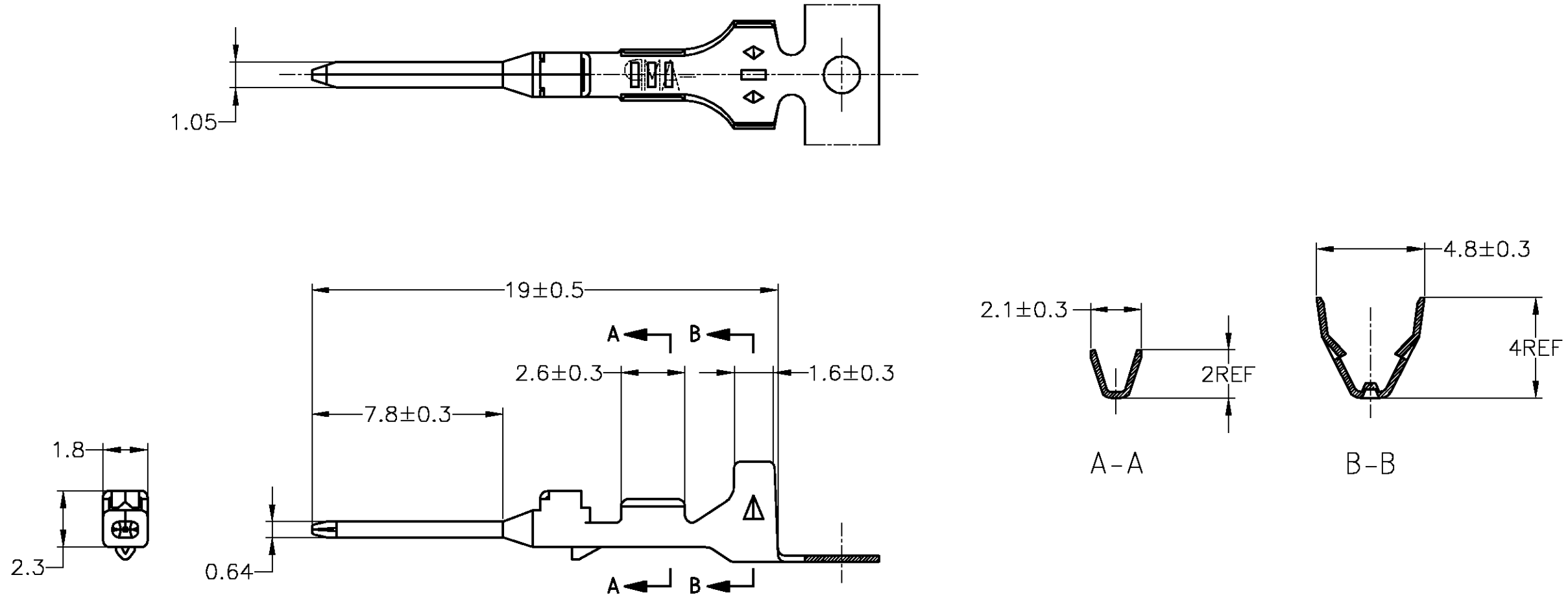


THIS DRAWING IS UNPUBLISHED. RELEASED FOR PUBLICATION
 © COPYRIGHT BY TYCO ELECTRONICS CORPORATION. ALL RIGHTS RESERVED.

LOC	DIST	REVISIONS					
		P	LTR	DESCRIPTION	DATE	DWN	APVD
J	—	C2	REVISED	ECR-07-000609	10JAN07	MS	KB

-1: AS SHOWN
 本図



- 1. 相手側端子型番: 173681
- 2. パワ状端子型番: 175063

- 1. MATING RECEPTACLE NUMBER; 173681
- 2. LOOSE PIECE NUMBER: 175063

TOLERANCE UNLESS OTHERWISE SPECIFIED: 一般公差

0 < x ≤ 10	: ±0.2
10 < x ≤ 30	: ±0.25
30 < x ≤ 100	: ±0.3
ANGLE ; 角度	: ±3°

THIS DRAWING IS A CONTROLLED DOCUMENT.		DWN M.SUGAWARA 10JAN07	Tyco Electronics AMP K.K. Kawasaki, Japan													
DIMENSIONS: 単位: 概 mm		CHK K.BETSUI 10JAN07														
TOLERANCES UNLESS OTHERWISE SPECIFIED: 一般公差		APVD K.BETSUI 10JAN07	NAME 名称 040 SERIES TAB CONTACT													
<table border="1"> <tr> <td>0 PLC</td> <td>± -</td> </tr> <tr> <td>1 PLC</td> <td>± -</td> </tr> <tr> <td>2 PLC</td> <td>± -</td> </tr> <tr> <td>3 PLC</td> <td>± -</td> </tr> <tr> <td>4 PLC</td> <td>± -</td> </tr> <tr> <td>ANGLES</td> <td>± -</td> </tr> </table>		0 PLC	± -	1 PLC	± -	2 PLC	± -	3 PLC	± -	4 PLC	± -	ANGLES	± -	PRODUCT SPEC 製品規格	SIZE A3	
0 PLC	± -															
1 PLC	± -															
2 PLC	± -															
3 PLC	± -															
4 PLC	± -															
ANGLES	± -															
MATERIAL 材料 BRASS THICKNESS 黄銅、板厚: 0.25		APPLICATION SPEC 取付適用規格 114-5108	CAGE CODE 00779	DRAWING NO 番号 C-173682												
FINISH 仕上 PRE-TINNED 錫めつき済		WEIGHT 0.22g	RESTRICTED TO —													
CUSTOMER DRAWING			SCALE 尺度 5:1	SHEET 1 OF 1												
			REV C2													