

Terminals and Splices

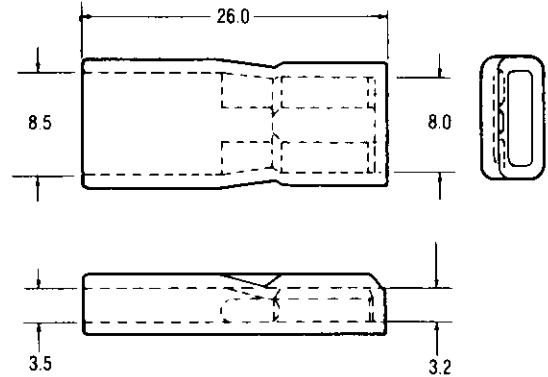
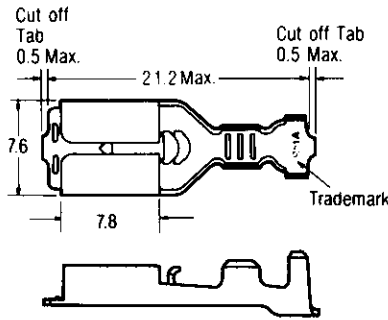
POSITIVE LOCK EX Series Receptacles

250 Series (Straight Type and Flag Type)

Straight Type

Material and Finish :

Receptacle—Pretin brass,
0.41mm thickness,
stainless steel for heat resistant
Sleeve—Soft PVC
UL94V-2 rated(Blue)
UL94V-0 rated(Yellow)



Receptacle

Insulation Sleeve

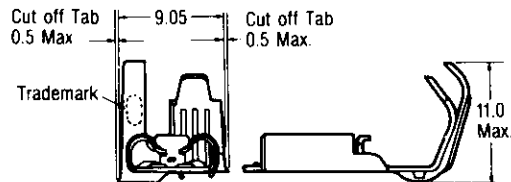
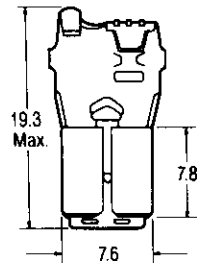
Wire Range		Wire Ins.	Part Number of Receptacle		Part Number of Sleeve	Part Number of Hand Tool
AWG	mm ²	Dia.	Strip Form	Loose Piece		
22-18	0.31~0.89	1.5~3.1	175020-1	175021-1	174817-1 (Blue)	911589-1
18-14	0.75~2.09	2.2~3.4	175022-1	175023-1	174817-2 (Yellow)	234619-1
15-10	1.75~5.40	3.0~5.1	175024-1	—	—	—
For heat resistant*						
18-14	0.76~2.09	2.2~3.4	175164-1	—	—	—

*Operating Temperature Range : -40~+300°C(ambient temperature + temperature rise by current carrying)
Sleeve housing not used.
**Mating tab is made of stainless steel.

Flag Type Receptacle Contact

Material and Finish :

Receptacle—Pretin brass,
0.41mm thickness



Wire Range		Wire Ins.	Part Number of Receptacle
AWG	mm ²	Dia.	(Strip Form)
18-12	0.75~3.37	2.8~4.1	175057-1
12-10	3.08~5.37	2.8~4.9	175178-1