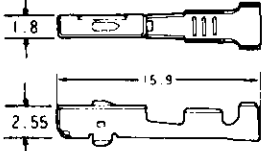
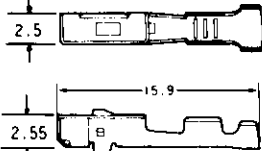


.040 II MULTILOCK Connectors

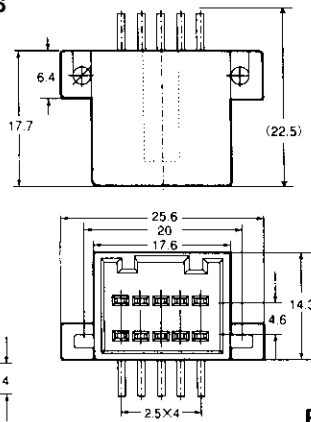
Receptacle Contact

Contact	Wire Range	Wire Ins. Diameter	Material/Finish	Part No.		Hand Tool No. (Instruction Sheet)
				S.T.	L.P.	
.040 II Receptacle 	S Size 0.3~0.85mm ² (AWG#22-18)	Ø1.1-1.8mm	Copper Alloy/Sel. Gold	175266-2	179418-2	91588-1 (411-5655)
			Copper Alloy/Pre-tin	175265-1	179417-1	
Crimp Specifications : 114-5159						
.070 II Receptacle 	S Size 0.3~0.85mm ² (AWG#22-18)	Ø1.1-1.8mm	Brass/Pre-tin	175268-1	179423-1	934195-1 (411-5658)
			M Size 0.5~1.25mm ² (AWG#20-16)	Ø1.3-2.5mm	Brass/Pre-tin	
Crimp Specifications : 114-5160						

Cap

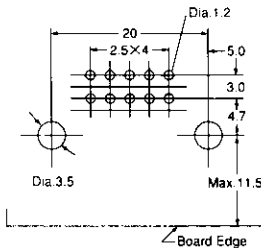
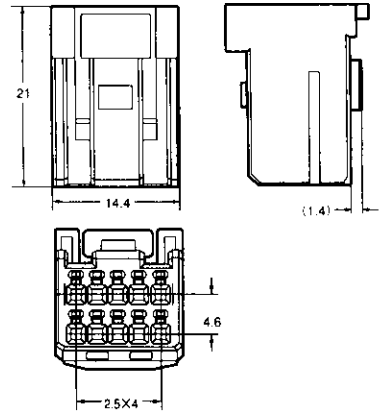
Plug

Part Number : 316991-6



10
Pos.

Part Number : 316988-6



PC Board Layout

- *The color of housing is light gray.
- *The material of cap housings is of PBT with glass, and that of plug is of PBT.
- *The materials and finish of tab contacts are of pre-tinned brass.

5