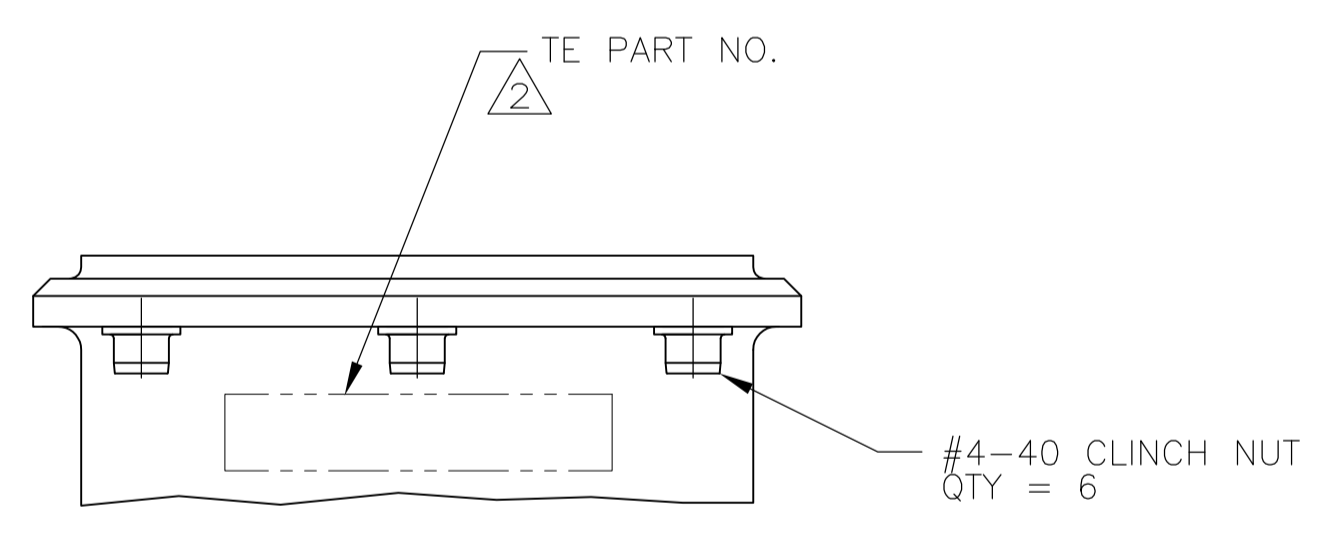
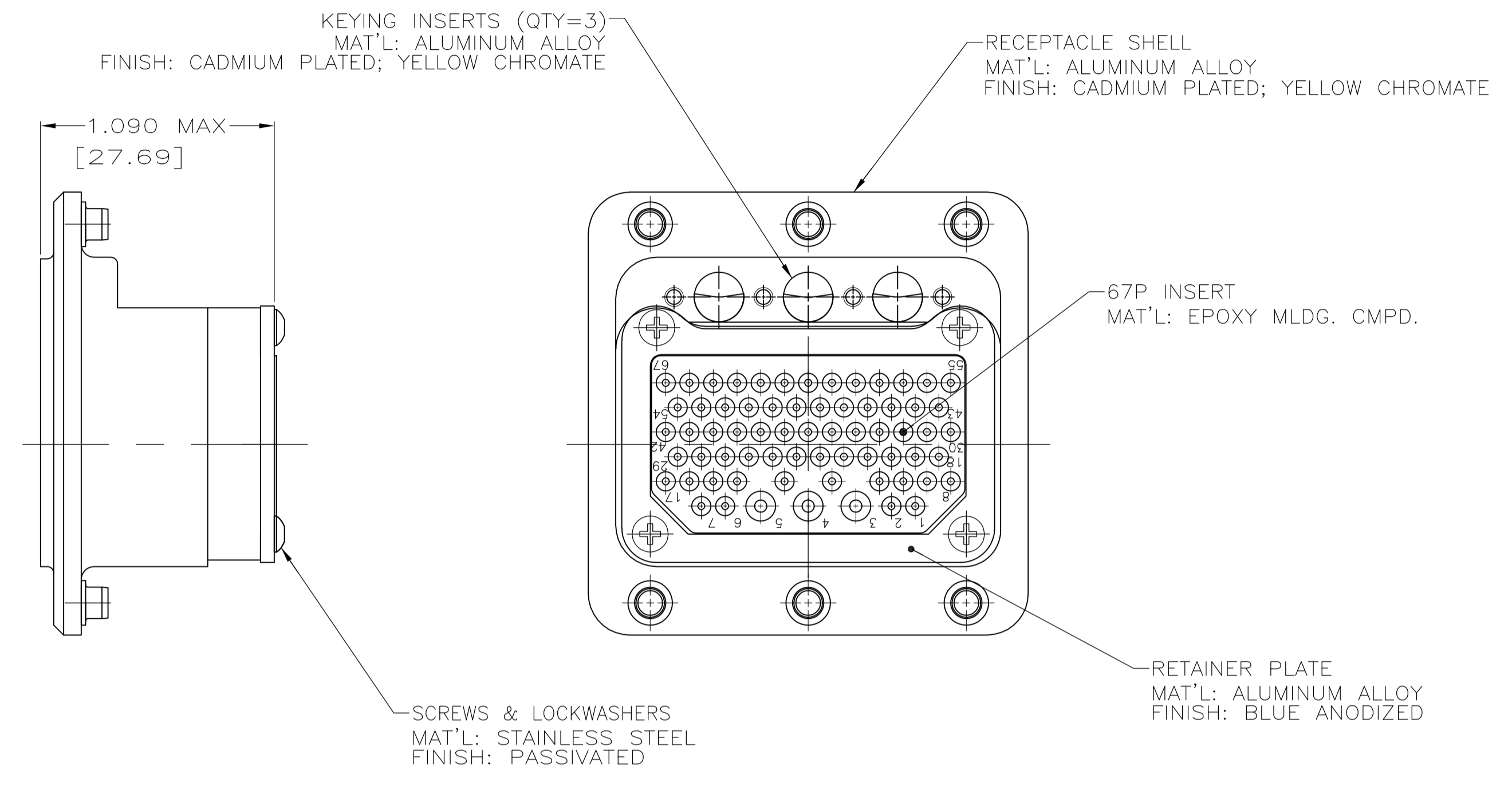
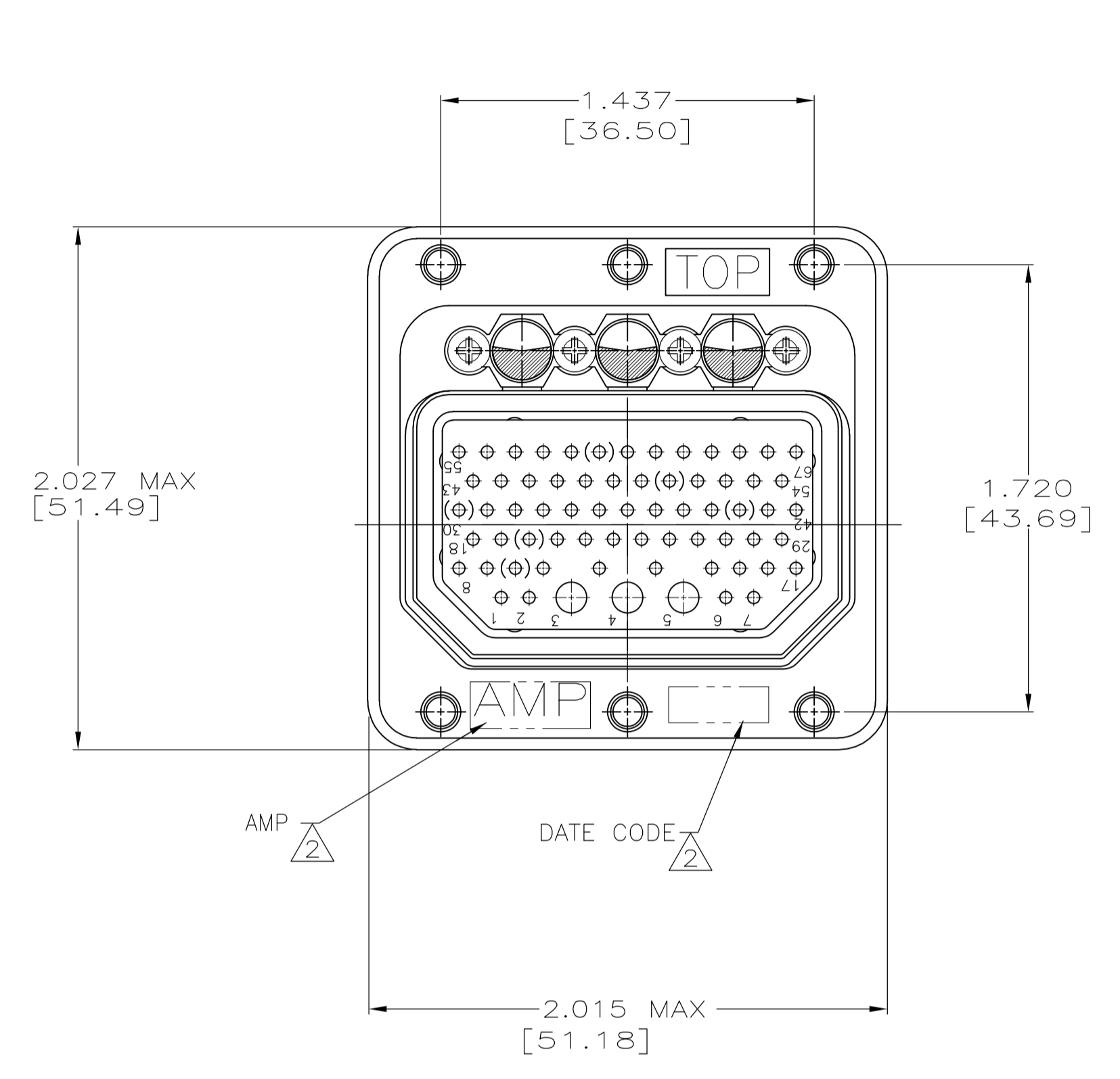


LOC		DIST		REVISIONS			
P	LTR	DESCRIPTION	DATE	DN	APVD		
B		REV PER ECO 10-010793	5-21-10	CT	DE		



- KEYING ASSEMBLED IN POSITION 01.
- AMP, TE PART NO. AND DATE CODE MARKED IN AREA SHOWN.

1757249-1
PART NUMBER

THIS DRAWING IS A CONTROLLED DOCUMENT.		DN C.C.THOMAS 12-10-04	Tyco Electronics Corporation Harrisburg, PA 17105-3608	
DIMENSIONS: INCHES [mm]		CHK LARRY OH 12-10-04	APVD LARRY OH 12-10-04	
TOLERANCES UNLESS OTHERWISE SPECIFIED:		NAME RECEPTACLE ASSY, ARINC 404 RM1R67P-1801 (201)		
0 PLC ± -		PRODUCT SPEC		
1 PLC ± -		APPLICATION SPEC		
2 PLC ± -		SIZE A1		
3 PLC ± .005 [0.13]		CAGE CODE 00779		
4 PLC ± -		DRAWING NO. 1757249		
ANGLES ± -		RESTRICTED TO		
FINISH SEE CALLOUTS		WEIGHT -		
MATERIAL SEE CALLOUTS		CUSTOMER DRAWING		
		SCALE 2:1		SHEET 1 OF 1