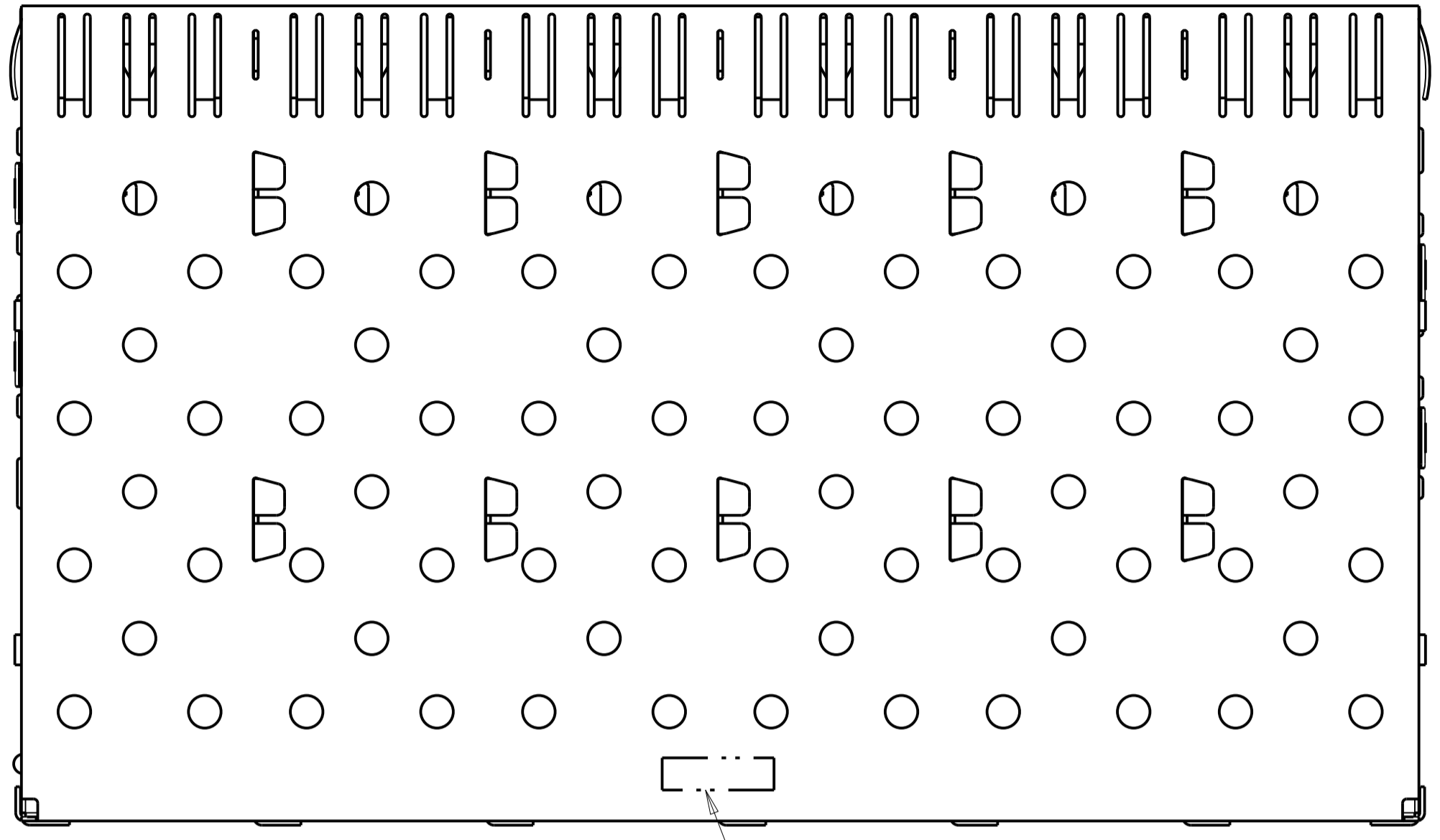
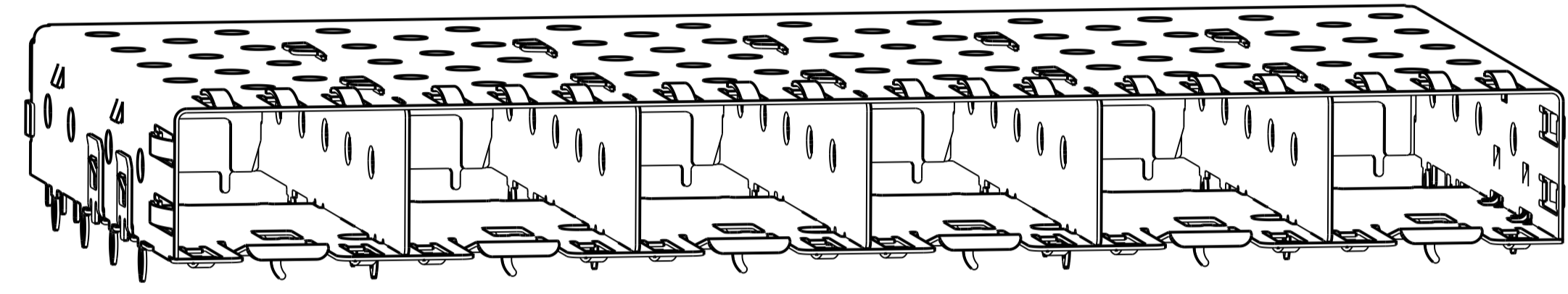


LOC	DIST	REVISIONS			
		REV	DATE	BY	CHKD
GP	00	D1	13APR2011	RK	HMR
		E	20FEB2014	JW	SH
		E1	11JUL2014	JW	SH

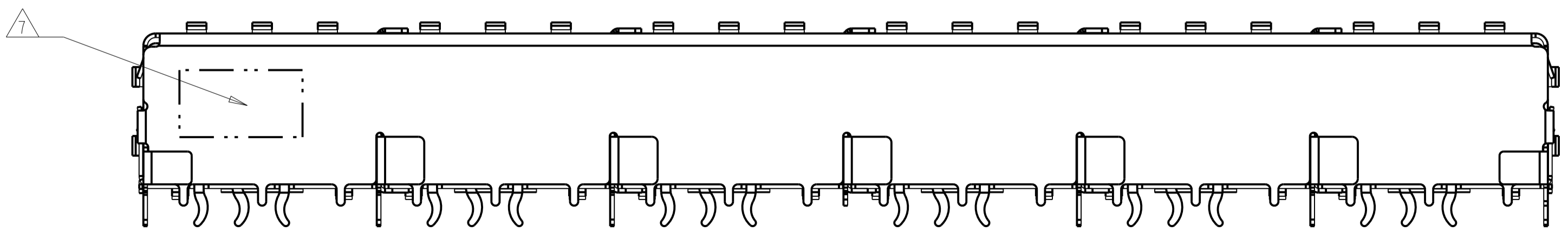
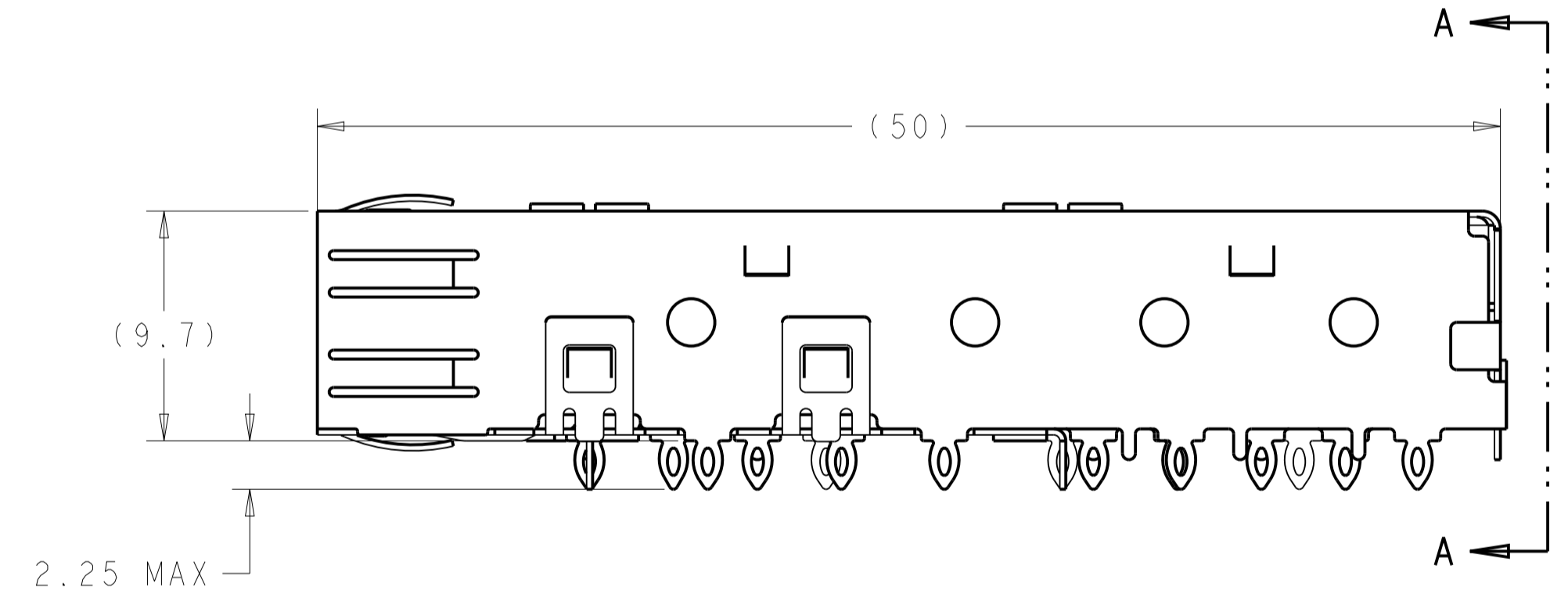
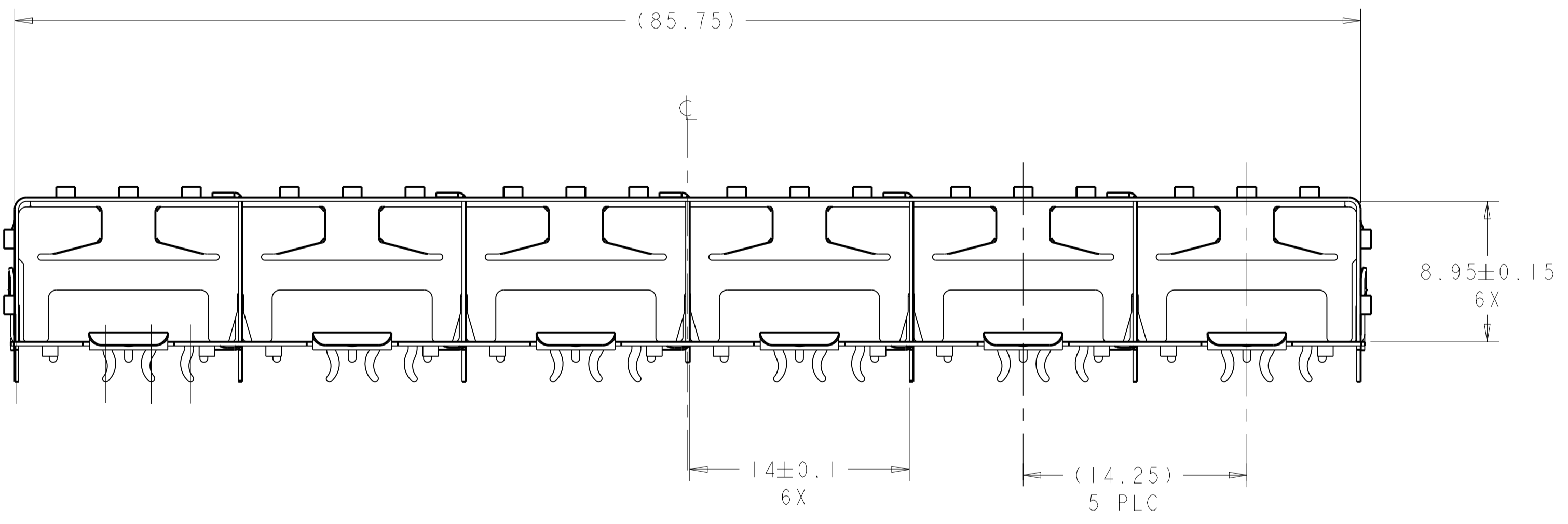


SCALE 3:1

- 1 MATERIAL: COPPER ALLOY.
- 2 TIN PLATING PER ASTM B 545, 1.25µm MINIMUM THICKNESS, ALL OVER NICKEL FLASH PER QQ-N-290. NON-PLATED EDGES ARE PERMISSIBLE.
- 3 DATUM AND BASIC DIMENSIONS ESTABLISHED BY CUSTOMER.
- 4 PADS AND VIAS CHASSIS GROUND.
- 5 REFERENCE APPLICATION SPEC 114-13120, HOLE A, FOR RECOMMENDED DRILL HOLE DIAMETER AND PLATING THICKNESSES.
- 6 COMPANY LOGO IN APPROXIMATE AREA SHOWN
- 7 DATE CODE AND PART NUMBER IN APPROXIMATE AREA SHOWN
- 8 MATERIAL: NICKEL SILVER ALLOY(NO PLATING)



1761015-18-3  
SCALE 3:1



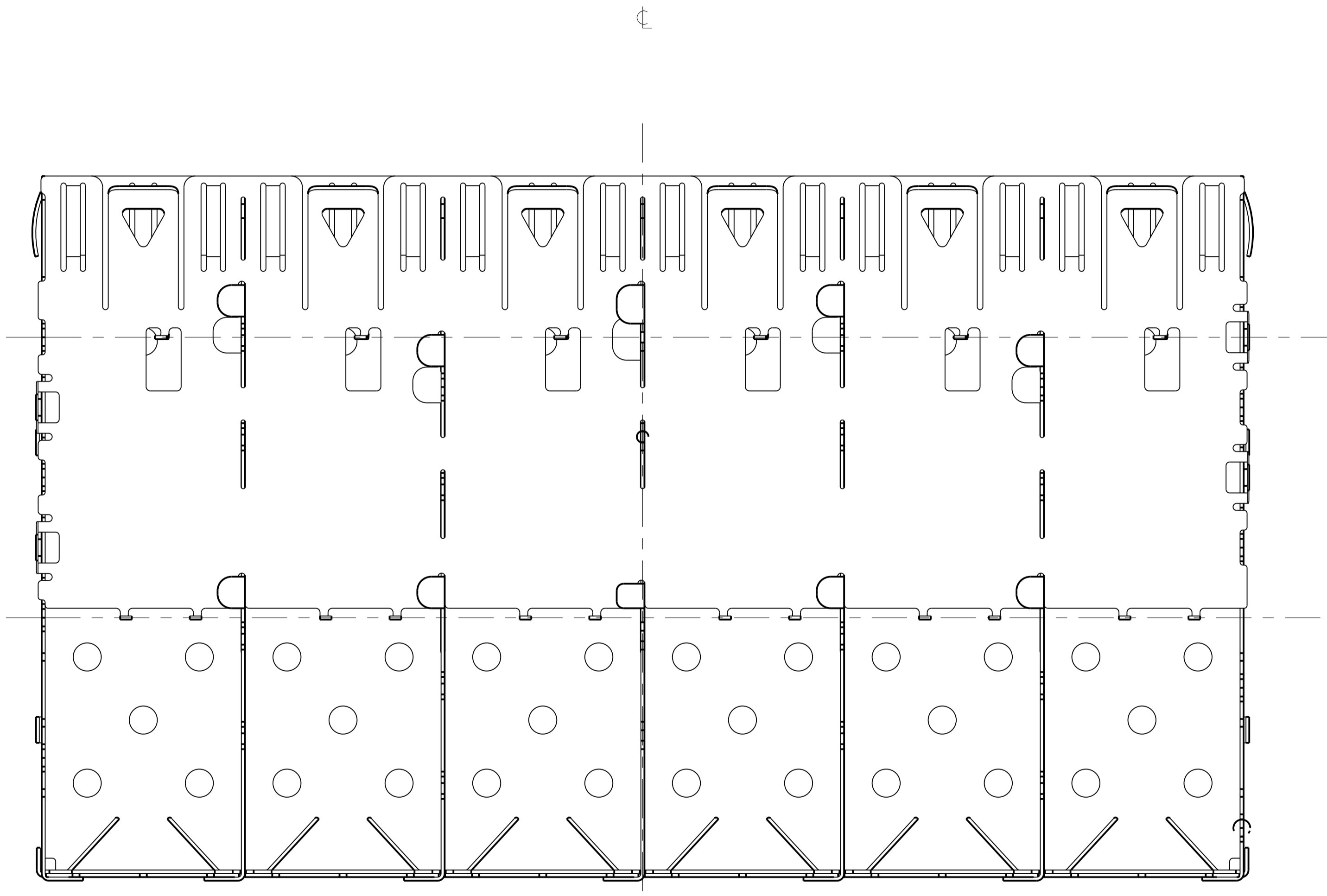
SECTION A-A

NO	FINISH	MATERIAL	DESCRIPTION	PART NO
1			1X6 CAGE ASSEMBLY	1761015-3
2			1X6 CAGE ASSEMBLY	1761015-1

THIS DRAWING IS A CONTROLLED DOCUMENT.		DWN: J. VAN SCIOK 11FEB2004		TE Connectivity ASSEMBLY, CAGE, PRESS FIT, 1X6, SFP	
DIMENSIONS: mm		CHK: M. PHILLIPS 11FEB2004			
TOLERANCES UNLESS OTHERWISE SPECIFIED:		APVD: M. PHILLIPS 11FEB2004		NAME	
0 PLC ±		PRODUCT SPEC		SIZE CAGE CODE DRAWING NO	
1 PLC ±0.10		108-1950		RESTRICTED TO	
2 PLC ±		APPLICATION SPEC		A100779C=1761015	
3 PLC ±		114-13120		SCALE 4:1 SHEET 1 OF 4 REV E1	
4 PLC ±		ANGLES ±2°		CUSTOMER DRAWING	
MATERIAL 1		FINISH 2			

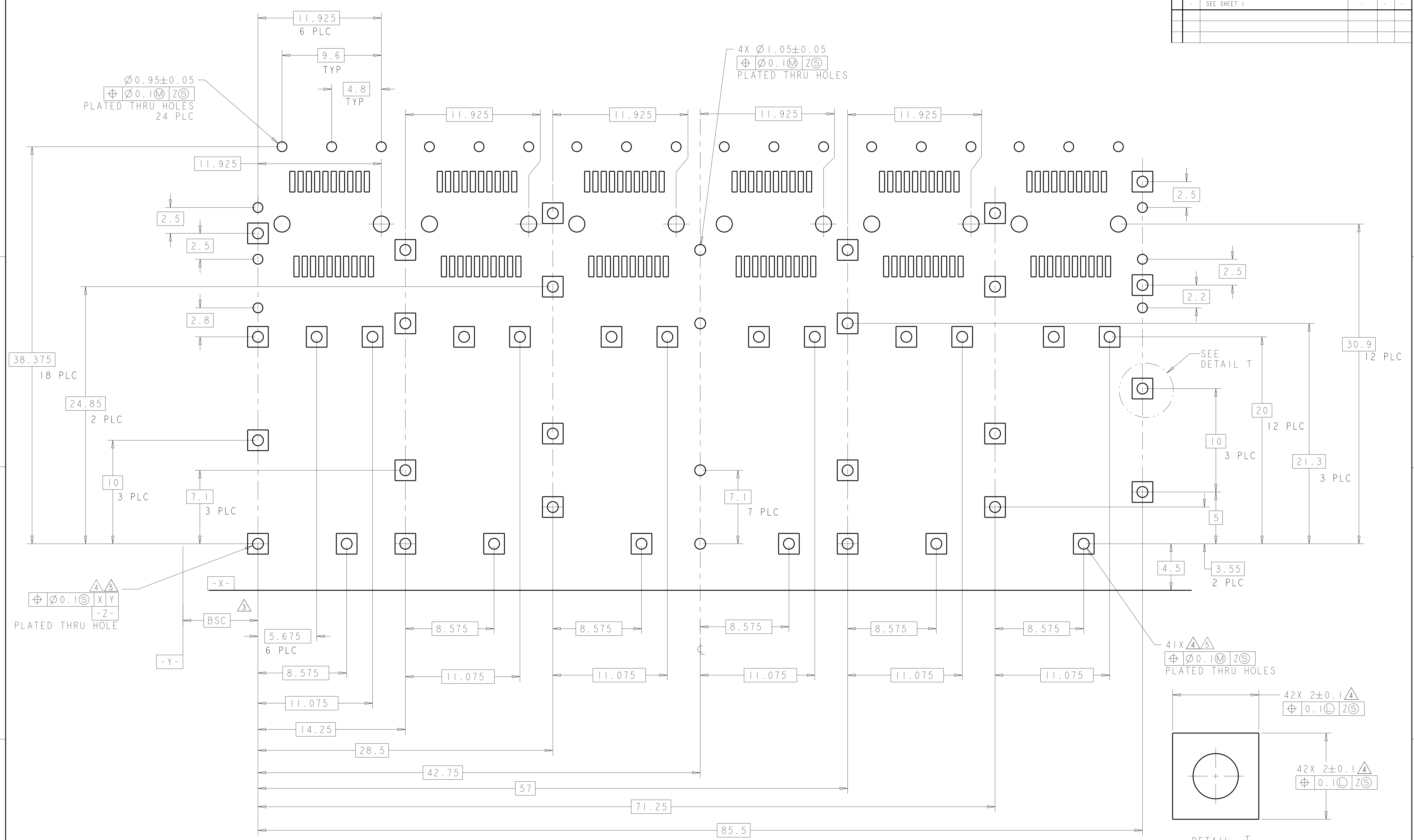
THIS DRAWING IS UNPUBLISHED. RELEASED FOR PUBLICATION 20  
COPYRIGHT 20 . ALL RIGHTS RESERVED.

LOC	DIST	REVISIONS					
		P.	LTN	DESCRIPTION	DATE	DWN	APVD
GP	00	-	-	SEE SHEET 1	-	-	-

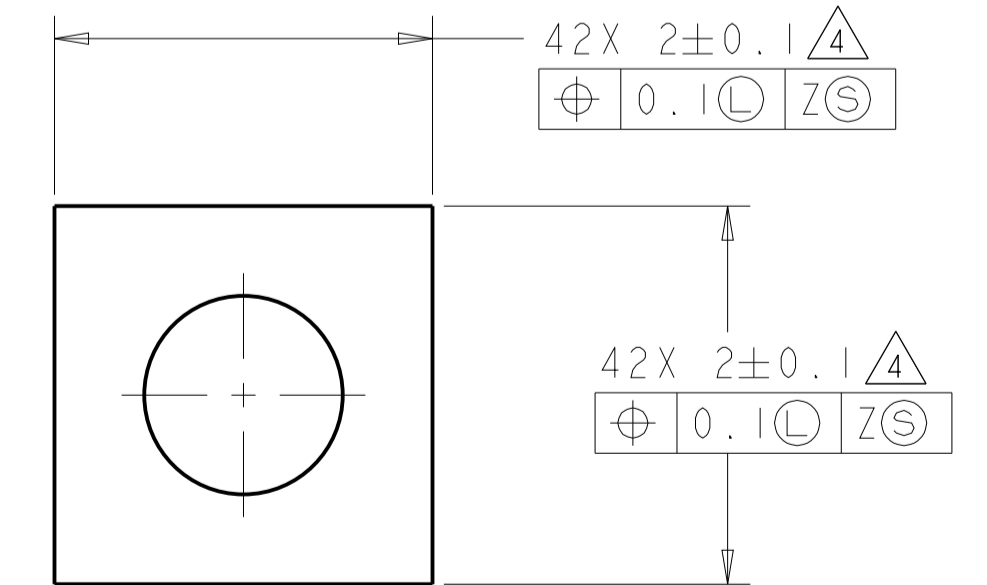


THIS DRAWING IS A CONTROLLED DOCUMENT.		DWN W. VAN SCOY	11FEB2004	
DIMENSIONS: mm		CHK M. PHILLIPS	11FEB2004	
TOLERANCES UNLESS OTHERWISE SPECIFIED:		APVD M. PHILLIPS	11FEB2004	NAME ASSEMBLY, CAGE, PRESS FIT, 1X6, SFP
0 PLC ±		PRODUCT SPEC		
1 PLC ±		108-1950		SIZE CAGE CODE DRAWING NO RESTRICTED TO
2 PLC ±0.10		APPLICATION SPEC		
3 PLC ±		114-13120		A100779C=1761015
4 PLC ±		WEIGHT		
ANGLES ±		CUSTOMER DRAWING		SCALE 4:1 SHEET 2 OF 4 REV E
FINISH				

LOC	DIST	REV	DATE	BY	APPV
GP	00				



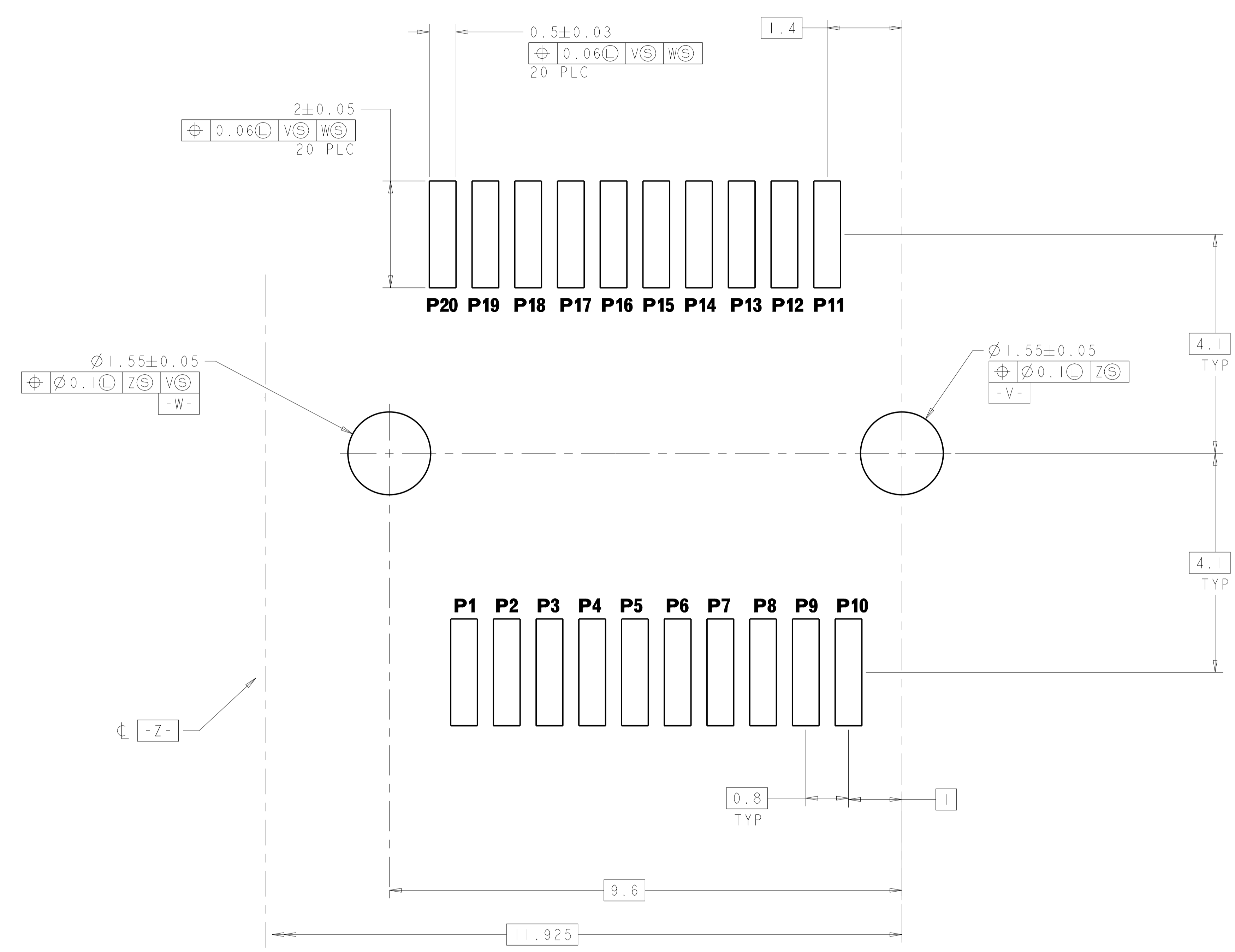
RECOMMENDED PCB CONFIGURATION  
SCALE 5:1



DETAIL T  
SCALE 25:1

THIS DRAWING IS A CONTROLLED DOCUMENT.		DWN: JH_VAN_SCIJCK 11FEB2004	TE Connectivity
DIMENSIONS: mm		CHK: M_PHILLIPS 11FEB2004	
TOLERANCES UNLESS OTHERWISE SPECIFIED:		APVD: M_PHILLIPS 11FEB2004	NAME: ASSEMBLY, CAGE, PRESS FIT, 1X6, SFP
0 PLC ±	1 PLC ±0.10	PRODUCT SPEC: 108-1950	SIZE: CAGE CODE DRAWING NO: A100779C=1761015
2 PLC ±	3 PLC ±	APPLICATION SPEC: 114-13120	RESTRICTED TO: -
4 PLC ±	ANGLES ±2°	WEIGHT: -	SCALE: 4:1 SHEET 3 OF 4 REV: E1
MATERIAL: -	FINISH: -	CUSTOMER DRAWING	

LOC	DIST	REVISIONS			
P	LTN	DESCRIPTION	DATE	DWN	APVD
-	-	SEE SHEET 1	-	-	-



DETAIL U  
SCALE 20:1

THIS DRAWING IS A CONTROLLED DOCUMENT.		DWN: W. VAN SCOY	DATE: FEB2004	TE Connectivity
DIMENSIONS: mm		CHK: M. PHILLIPS	DATE: FEB2004	
TOLERANCES UNLESS OTHERWISE SPECIFIED: 0 PLC ± 1 PLC ±0.10 2 PLC ± 3 PLC ± 4 PLC ± ANGLES ±2°		APVD: M. PHILLIPS	DATE: FEB2004	NAME: ASSEMBLY, CAGE, PRESS FIT, 1X6, SFP
MATERIAL: FINISH:		PRODUCT SPEC: 108-1950	APPLICATION SPEC: 114-13120	RESTRICTED TO:
CUSTOMER DRAWING		WEIGHT: -	SIZE: A100779	CAGE CODE: 1761015
SCALE: 4:1		SHEET 4 OF 4		REV: E