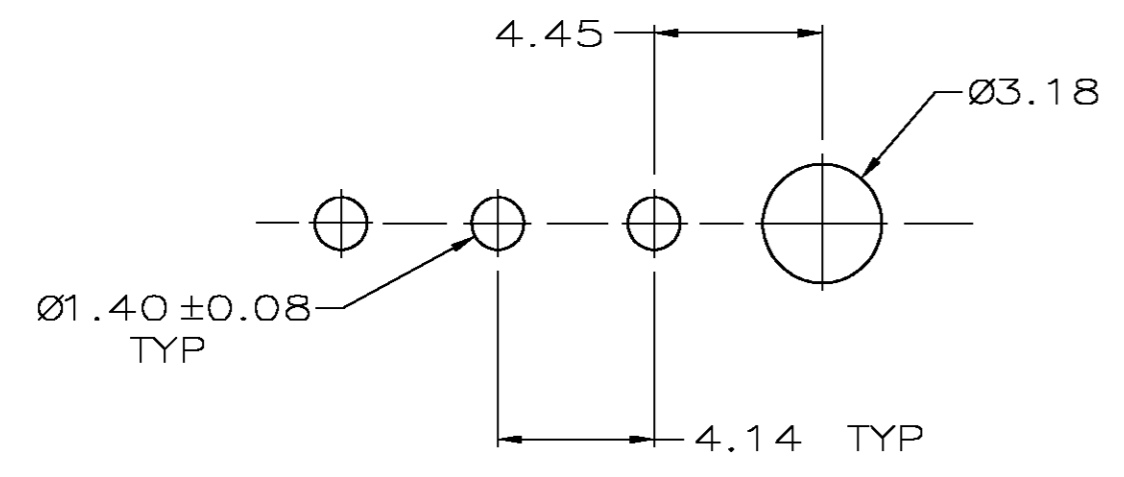
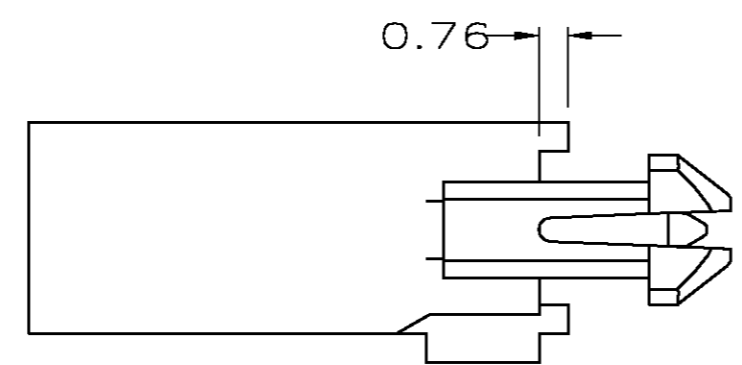
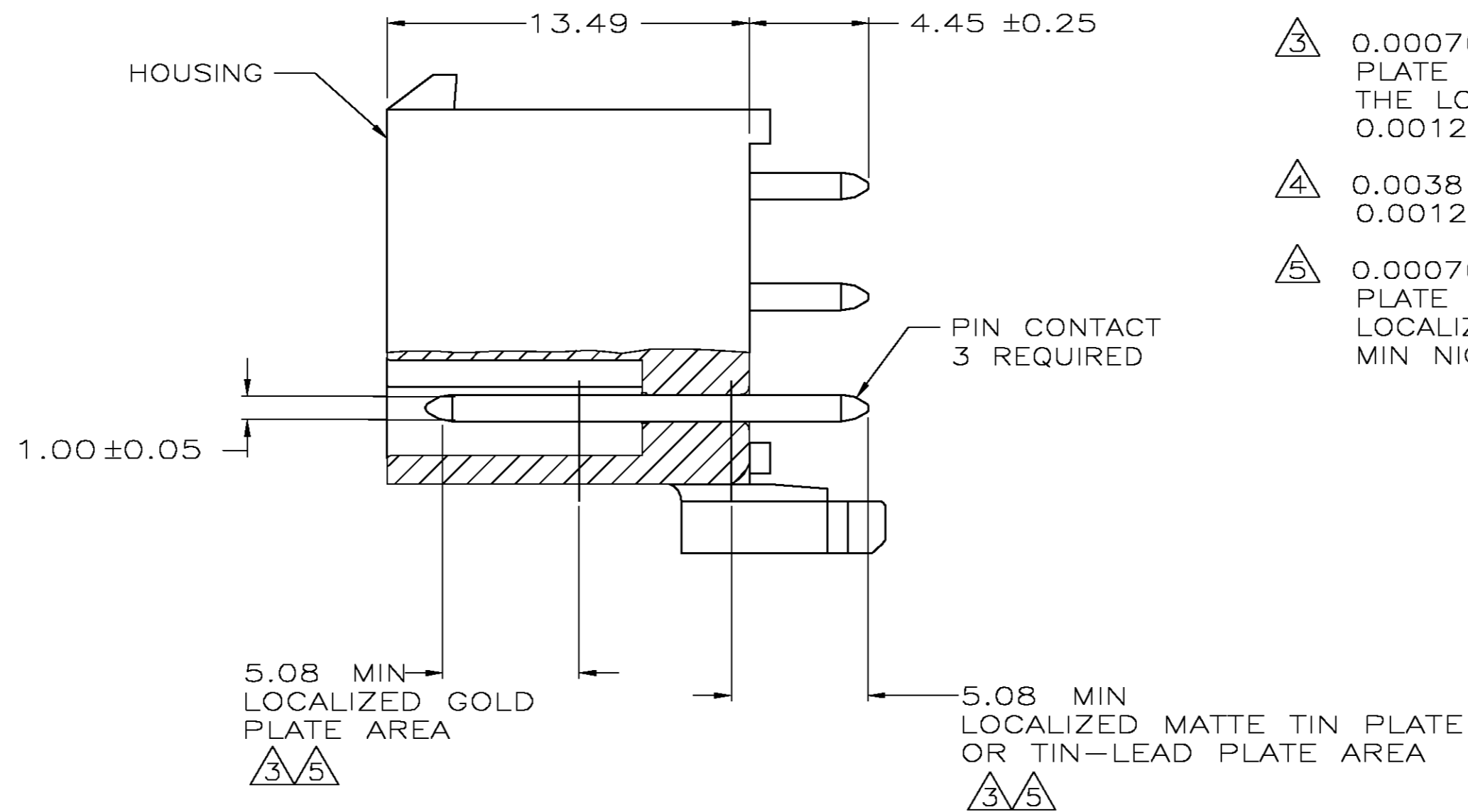
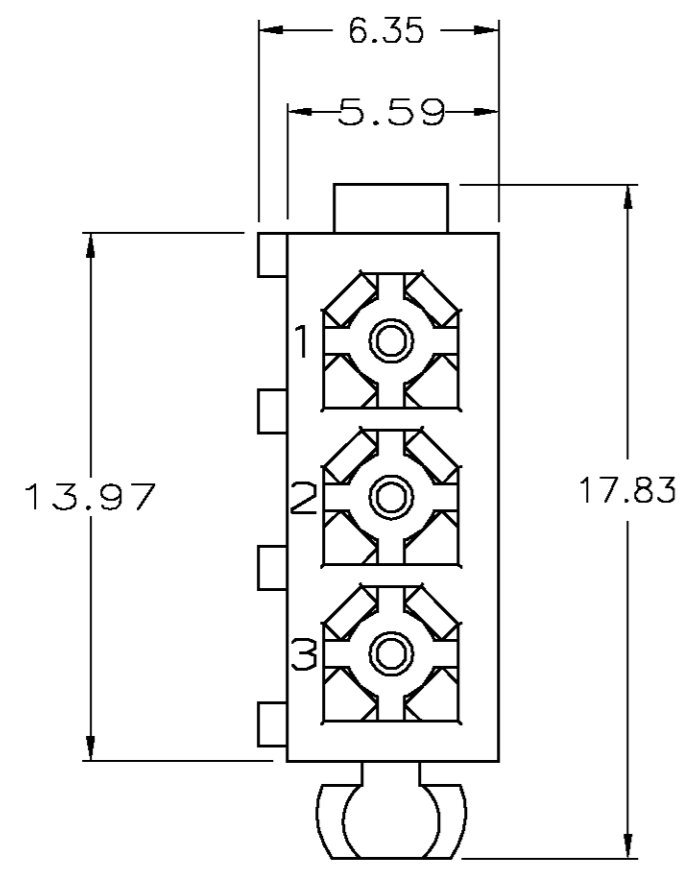


THIS DRAWING IS UNPUBLISHED. RELEASED FOR PUBLICATION
 © COPYRIGHT BY TYCO ELECTRONICS CORPORATION. ALL RIGHTS RESERVED.

LOC		DIST		REVISIONS			
P	LTR	DESCRIPTION		DATE	DWN	APVD	
CM	0	L		REVISED PER 0G3B-0211-05	6/8/05	SS RJ	



RECOMMENDED LAYOUT FOR 1.57 THICK BOARD
 TOLERANCES NON-ACCUMULATIVE

- PINS TO COMPLY WITH AMP SOLDERABILITY SPEC. 109-11-3.
- 0.00381 MIN MATTE TIN LEAD PLATE OVER 0.00127 MIN NICKEL.
- 0.00076 MIN GOLD PLATE IN THE LOCALIZED PLATE AREA, 0.00381 MATTE TIN LEAD IN THE LOCALIZED PLATE AREA, BOTH OVER 0.00127 MIN NICKEL.
- 0.00381 MIN MATTE TIN PLATE OVER 0.00127 MIN NICKEL.
- 0.00076 MIN GOLD PLATE IN THE LOCALIZED PLATE AREA, 0.00381 MATTE TIN IN THE LOCALIZED PLATE AREA, BOTH OVER 0.00127 MIN NICKEL.

BRASS, GOLD	5	NYLON, UL94V-0	WHITE	1-770170-1
BRASS, TIN	4	NYLON, UL94V-0	WHITE	1-770170-0
BRASS, GOLD	3	NYLON, UL94V-0	WHITE	770170-2
BRASS, TIN-LEAD	2	NYLON, UL94V-0	WHITE	770170-1
MATERIAL	FINISH	MATERIAL	COLOR	PART NO.

THIS DRAWING IS A CONTROLLED DOCUMENT.		DWN S CARPENTER 28JUL2003	OBJUN05	Tyco Electronics Corporation Harrisburg, Pa 17105-3608	
DIMENSIONS: mm		CHK R JONES	28JUL2003	NAME HEADER ASSEMBLY, 3 CKT, MINI UNIVERSAL MATE-N-LOK	
TOLERANCES UNLESS OTHERWISE SPECIFIED:		APVD R JONES	28JUL2003	SIZE A2	
0 PLC ± -	1 PLC ± -	PRODUCT SPEC		CAGE CODE 00779	DRAWING NO C=770170
2 PLC ± 0.13	3 PLC ± -	APPLICATION SPEC		RESTRICTED TO	
4 PLC ± -	ANGLES ± -			SCALE 1:1	SHEET 1 OF 1
MATERIAL	FINISH	WEIGHT		CUSTOMER DRAWING	REV L