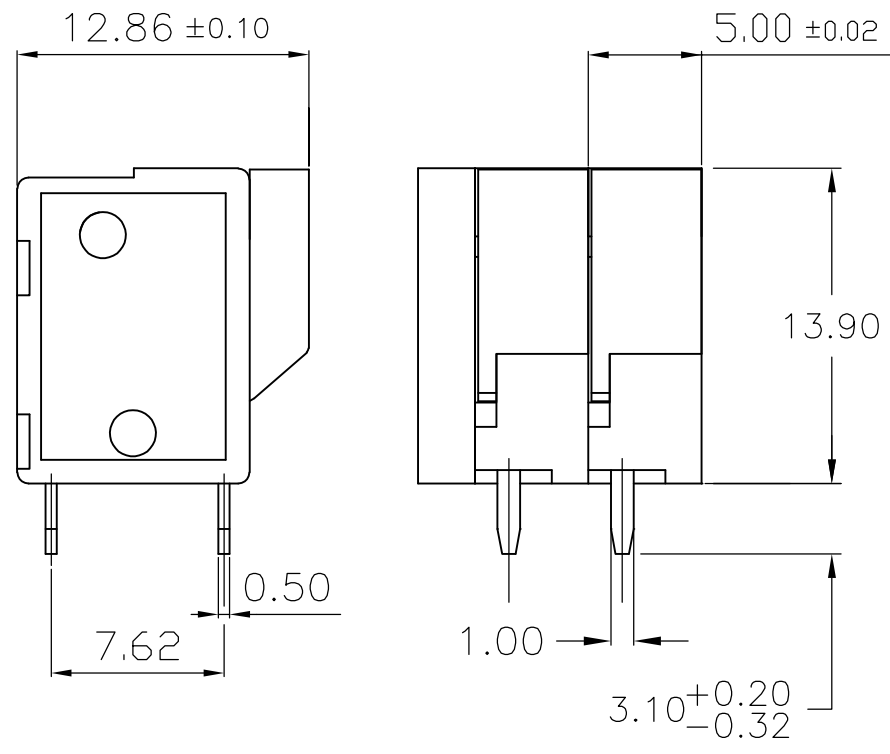
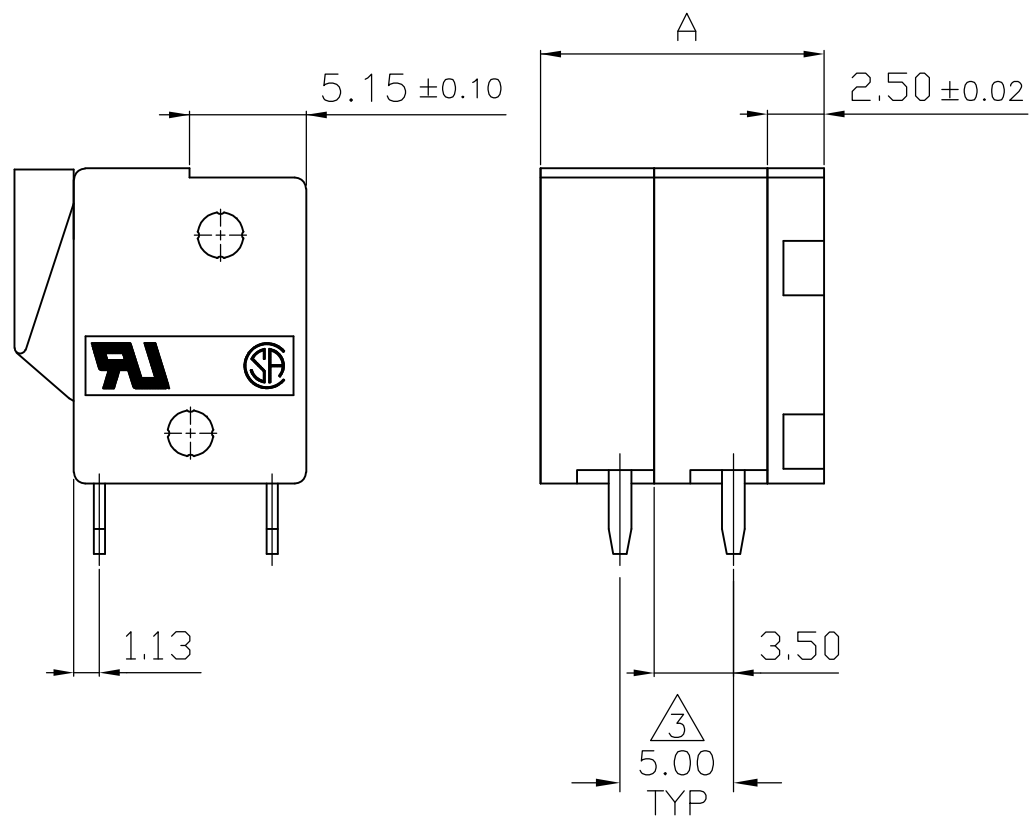
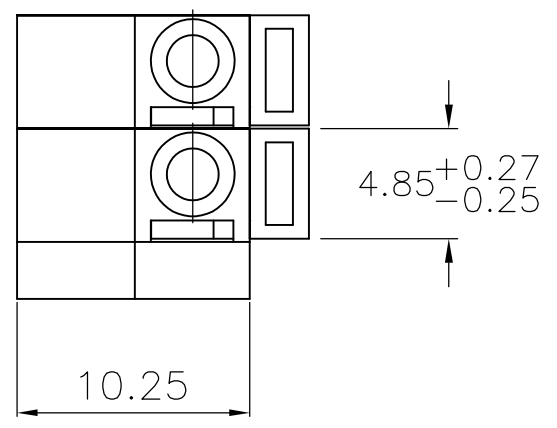


THIS DRAWING IS UNPUBLISHED. RELEASED FOR PUBLICATION
 © COPYRIGHT - By - ALL RIGHTS RESERVED.

LOC	DIST	REVISIONS			
P	LTR	DESCRIPTION	DATE	DWN	APVD
FT	0	P			
		P	REVISED PER ECO-11-004820	11MAR11	RK HMR

1. ALL DIMENSIONS ARE IN mm'S.
 2. BUCHANAN LOGO TO APPEAR ON HOUSING, LOCATION OPTIONAL WHERE SPACE PERMITS.
- ⚠️ 3 NON CUMULATIVE



DIM. A	NO. OF POS.	PART NUMBER
62.50	12	1-1776259-2
57.50	11	1-1776259-1
52.20	10	1-1776259-0
47.50	9	1776259-9
42.50	8	1776259-8
37.50	7	1776259-7
32.50	6	1776259-6
27.50	5	1776259-5
22.50	4	1776259-4
17.50	3	1776259-3
12.50	2	1776259-2

1776259-2 AS SHOWN

THIS DRAWING IS A CONTROLLED DOCUMENT.		DWN S SCHLEGEL 5/6/05	TE Connectivity		
DIMENSIONS: mm		CHK C RICHARD 5/6/05			
TOLERANCES UNLESS OTHERWISE SPECIFIED:		APVD C RICHARD 5/6/05	NAME		
0 PLC ± -		PRODUCT SPEC	TERMINAL BLOCK, BOARD MT. SCREWLESS, TOP WIRE ENTRY, 5.0mm PITCH, HIGH TEMP		
1 PLC ± 0.3		APPLICATION SPEC	-		
2 PLC ± 0.25		WEIGHT	SIZE	CAGE CODE	DRAWING NO
3 PLC ± -		-	A3	00779	C-1776259
4 PLC ± -			CUSTOMER DRAWING	SCALE	SHEET
ANGLES ± -			NTS	1 OF 2	P
FINISH					

THIS DRAWING IS UNPUBLISHED. RELEASED FOR PUBLICATION
 © COPYRIGHT - By - ALL RIGHTS RESERVED.

LOC	DIST	REVISIONS			
P	LTR	DESCRIPTION	DATE	DWN	APVD
FT	0	-	SEE SHEET 1	-	-

1. Application and Features:

- 1-1. This screwless terminals are suitable for both solid and flexible conductors.
- 1-2. A spring made of stainless strip steel guarantees for permanent and safe contact.
- 1-3. The type is operated by pushing a screwdriver on the level. This lever is fully integrated into the body.
- 1-4. It is equipped with a cover for easy hand adjustment.

2. Technical Data:

2-1. Material:

- 2-1-1. HOUSING: NYLON 6.6,
UL 94 V-0 (Green).
- 2-1-2. Contact: Brass(Cu Zn)
Ni,Tin plated.
first 50u" (min) Ni plated over all.
last 120u" (min) Tin plated over all.
- 2-1-3. Metal Plate: Stainless strip steel.

2-2. Electrical:

- 2-2-1. Current rating: 10 Amp 300VAC.
- 2-2-2. Dielectric withstanding
voltage: 2000VAC (min).
- 2-2-3. Insulation resistance: 500M Ω more
at 500VAC.
- 2-2-4. Wire Range: 14-22AWG.

2-3. Mechanical:

- 2-3-1. Wire retention force: 1.2 Kg (min).
- 2-3-2. Operating temperature: -55°C to +105°C.
- 2-3-3. Solderability: 95% coverage (min).

THIS DRAWING IS A CONTROLLED DOCUMENT.		DWN	S SCHLEGEL	5/6/05	STE TE Connectivity		
DIMENSIONS: mm		CHK	C RICHARD	5/6/05			
TOLERANCES UNLESS OTHERWISE SPECIFIED:		APVD	C RICHARD	5/6/05	NAME		
0 PLC $\pm -$		PRODUCT SPEC			TERMINAL BLOCK, BOARD MT. SCREWLESS, TOP WIRE ENTRY, 5.0mm PITCH, HIGH TEMP		
1 PLC ± 0.3		APPLICATION SPEC			-		
2 PLC ± 0.25		SIZE	A3	CAGE CODE	00779	DRAWING NO	C-1776259
3 PLC $\pm -$		RESTRICTED TO	-				
4 PLC $\pm -$		WEIGHT	-				
ANGLES $\pm -$		CUSTOMER DRAWING					
MATERIAL		FINISH		SCALE		NTS	SHEET
-		-		2 OF 2		REV	P