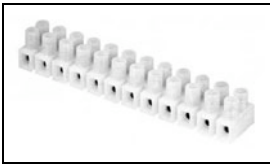


1776293-2 Product Details

[Share](#) [Print](#) [Email](#)



1776293-2

TE Internal Number: 1776293-2

Active

[View 3D PDF](#)

Europa Terminal Blocks

Always EU RoHS/ELV Compliant (Statement of Compliance)

Product Highlights:

- 8.00 mm Centerline
- Number of Circuits = 2
- Wire Range = 0.12-3.00; [26-12] mm [AWG]
- With Wire Protection
- Integrated Fuse = Without

[View all Features](#)

Quick Links

- ▶ [Pricing & Availability](#)
- ▶ [Search for Tooling](#)
- ▶ [Product Feature Selector](#)
- ▶ [Contact Us About This Product](#)

[Add to My Part List](#)

[Request Sample](#)

[Find Similar Products](#)

[Buy Product](#)

Documentation & Additional Information

Product Drawings:

- [EUROPA TERMINAL BLOCK W/WIRE PROTECTOR MOUNTING HOLE...](#) (PDF, English)

Catalog Pages/Data Sheets:

- [BUCHANAN TERMINAL BLOCKS CATALOG - EUROPA TERMINAL B...](#) (PDF, English)

Product Specifications:

- None Available

Application Specifications:

- None Available

Instruction Sheets:

- None Available

CAD Files: [\(CAD Format & Compression Information\)](#)

- [2D Drawing](#) (DXF, Version 01)
- [3D Model](#) (IGES, Version 01)
- [3D Model](#) (STEP, Version 01)

[List all Documents](#)

Additional Information:

- [Product Line Information](#)

Related Products:

- [Tooling](#)

Product Features (Please use the Product Drawing for all design activity)

Product Type Features:

- [Integrated Fuse](#) = Without
- [Series](#) = TSB230
- [Color](#) = Natural
- [Screw Size](#) = M3 Screw
- [UL File Number](#) = E60677

Electrical Characteristics:

- [Current Rating \(A\)](#) = 30
- [Voltage Rating \(VAC\)](#) = 250
- [Wire Protector Material](#) = Stainless Steel

Body Features:

- [Wire Range \(mm \[AWG\]\)](#) = 0.12-3.00; [26-12]
- [Wire Protection](#) = With
- [Ground](#) = Without
- [Screw Material](#) = Steel
- [Screw Plating](#) = Zinc Chromate

Contact Features:

- [Contact Base Material](#) = Brass
- [Contact Plating, Mating Area, Material](#) = Tin

Housing Features:

- [Centerline \(mm \[in\]\)](#) = 8.00 [0.315]
- [Housing Material](#) = Polyamide - GF
- [UL Flammability Rating](#) = UL 94V-2

Configuration Features:

- [Number of Circuits](#) = 2

Industry Standards:

- [RoHS/ELV Compliance](#) = RoHS compliant, ELV compliant
- [Lead Free Solder Processes](#) = Not relevant for lead free process
- [RoHS/ELV Compliance History](#) = Always was RoHS compliant

Conditions for Usage:

- [Temperature Range \(°C\)](#) = 105

Other:

- [Brand](#) = TE Connectivity

Corporate Information

- [About TE](#)
- [Investors](#)
- [News Room](#)
- [Supplier Portal](#)

Quick Links

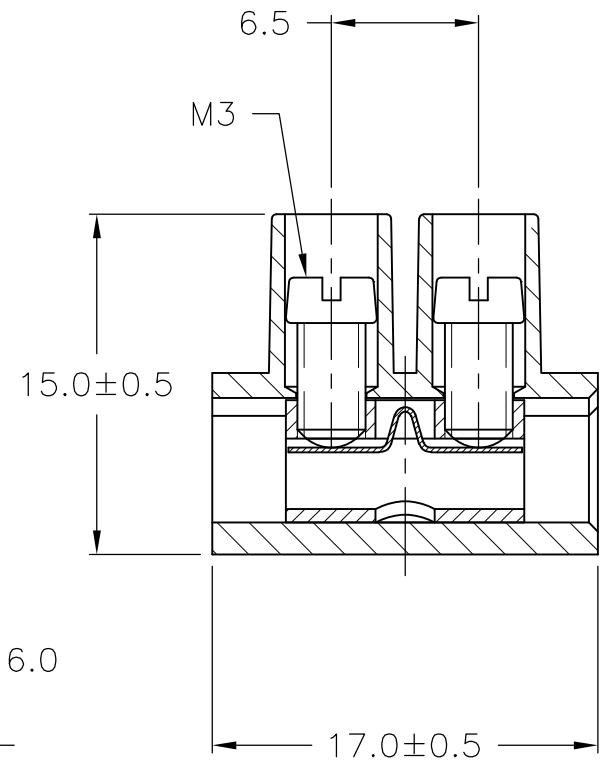
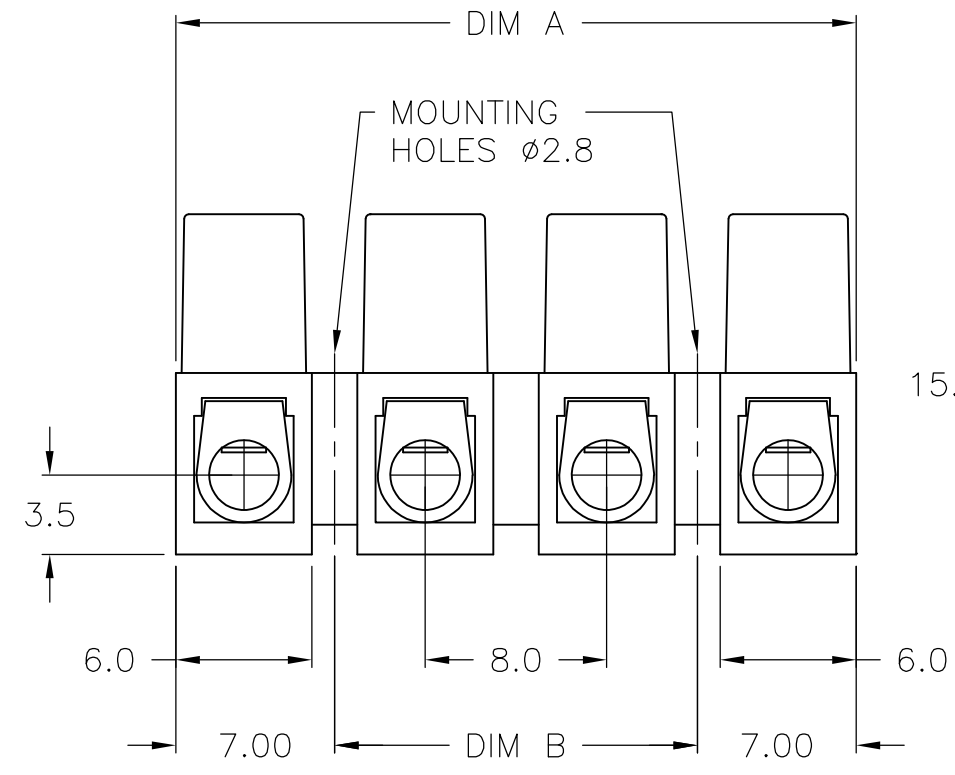
- [Distributor Inventory](#)
- [Product Cross Reference](#)
- [Documents & Drawings](#)
- [Product Compliance Support Center](#)

Customer Support

- [Email or Chat With Us](#)
- [Find a Phone Number](#)
- [Knowledge Base](#)
- [Manage Your Account](#)

THIS DRAWING IS UNPUBLISHED. RELEASED FOR PUBLICATION
 © COPYRIGHT - By - ALL RIGHTS RESERVED.

LOC	DIST	REVISIONS					
FT	0	P	LTR	DESCRIPTION	DATE	DWN	APVD
		P		REVISED PER ECO-11-004587	11MAR11	RK	HMR



MATERIAL:
 HOUSING: POLYIMIDE 6 UL94V-2.
 COLOR: NATURAL (OFF WHITE)
 TUBULAR CONTACT: BRASS TIN PLATED.
 SCREW: STEEL M3 ZINC W/ NON-HEXAVALENT CHROMATE (CHROME III).
 WIRE PROTECTOR: STAINLESS STEEL

ELECTRICAL:
 UL/CSA
 CURRENT RATING: 30A, 250V.
 WIRE RANGE: 12-22 AWG.
 VDE
 CURRENT RATING:
 TO EN60 598: 16A
 TO EN60 998: 24A
 CONDUCTOR SIZE: UP TO 1.5 mm²

80.0	94.0±1.0	12	TSB23012DS	1-1776293-2
72.0	86.0±0.7	11	TSB23011DS	1-1776293-1
64.0	78.0±0.7	10	TSB23010DS	1-1776293-0
56.0	70.0±0.7	9	TSB23009DS	1776293-9
48.0	62.0±0.7	8	TSB23008DS	1776293-8
40.0	54.0±0.7	7	TSB23007DS	1776293-7
32.0	46.0±0.7	6	TSB23006DS	1776293-6
24.0	38.0±0.5	5	TSB23005DS	1776293-5
16.0	30.0±0.5	4	TSB23004DS	1776293-4
8.0	22.0±0.5	3	TSB23003DS	1776293-3
-	14.0±0.5	2	TSB23002DS	1776293-2
-	6.0±0.3	1	TSB23001DS	1776293-1
DIM B	DIM A	NO POSN	CATALOG NUMBER	PART NUMBER

THIS DRAWING IS A CONTROLLED DOCUMENT.		DWN	S SCHLEGEL	3/18/05	STE TE Connectivity		
DIMENSIONS: mm		CHK	C RICHARD	3/18/05			
TOLERANCES UNLESS OTHERWISE SPECIFIED:		APVD	C RICHARD	3/18/05	NAME		
0 PLC ± -		PRODUCT SPEC			EUROPA TERMINAL BLOCK W/WIRE PROTECTOR		
1 PLC ± .3		APPLICATION SPEC			MOUNTING HOLES 2.8 DIA., 8.0mm PITCH		
2 PLC ± .25		SIZE	A3	CAGE CODE	00779	DRAWING NO	C-1776293
3 PLC ± -		RESTRICTED TO	-				
4 PLC ± -		SCALE	NTS		SHEET	1 OF 1	
ANGLES ± 2		REV	P				
MATERIAL	-	FINISH	-				
CUSTOMER DRAWING							