

THIS DRAWING IS UNPUBLISHED.

RELEASED FOR PUBLICATION

ALL RIGHTS RESERVED.

© COPYRIGHT - By -

LOC

DIST

REVISIONS

変更

DESCRIPTION

DATE

DWN

APVD

P

LTR

E3

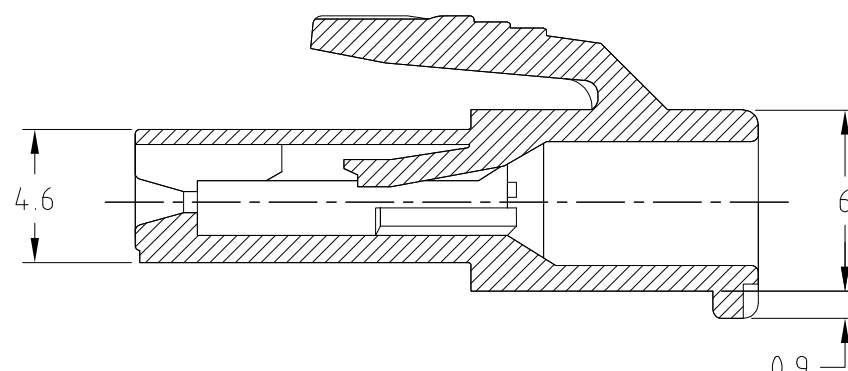
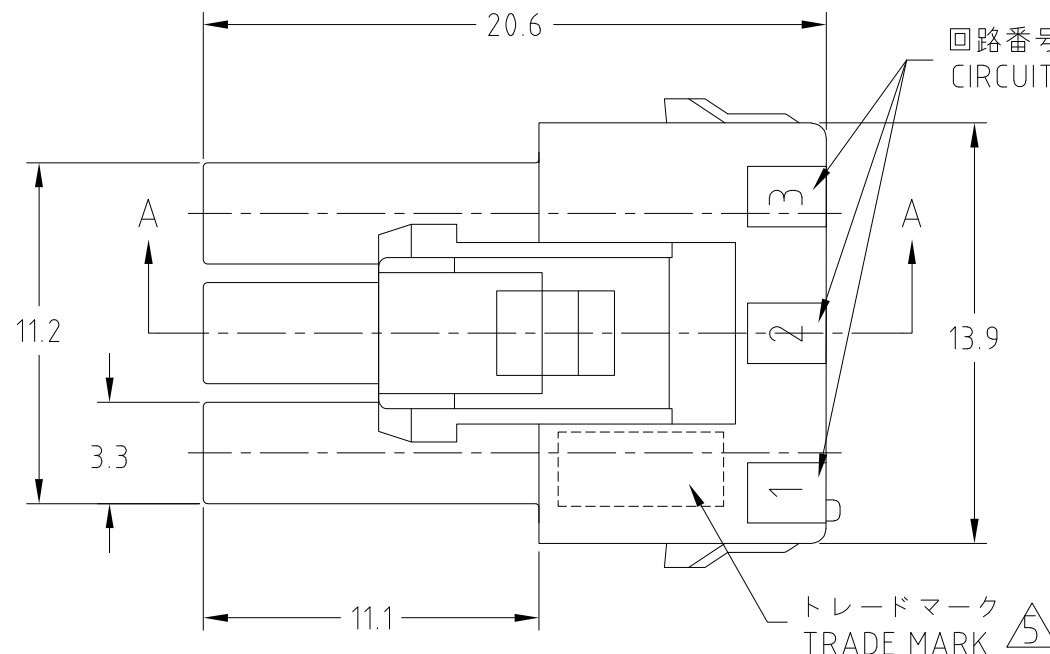
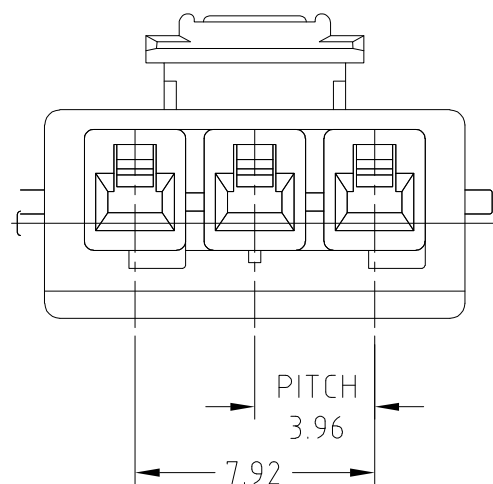
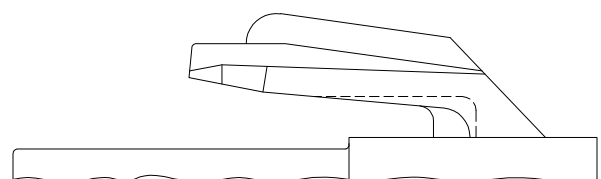
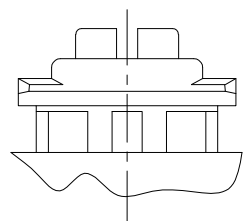
REVISED PER ECR-13-008308

21MAY13

AZ

FM

ロックタイプII
LOCK TYPE II



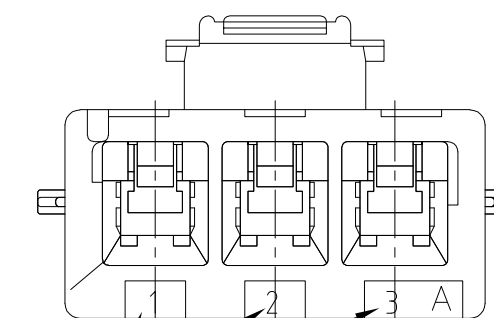
回路番号
CIRCUIT NO.

本図ロックタイプIを示す
AS SHOWN LOCK TYPE II

注

- 1. 適用コンタクト型番:
リセコンタクト: 177915-X (AWG#20-#16)
177914-X (AWG#26-#22)
- 2. かん合相手製品型番
キャップハウジング: 177907-X (パネル取付タイプ)
179464-X (宙吊りタイプ)
タブコンタクト: 177917-X (AWG#20-#16)
177916-X (AWG#26-#22)
- 3. 適用プレート型番: 177919-X
- 4. 取扱説明書: 411-5638
- 5. 表1参照

回路番号
CIRCUIT NO.



NOTES

- 1. APPLICABLE CONTACT P/N
REC CONTACT: 177915-X (AWG#20-#16)
177914-X (AWG#26-#22)
- 2. MATIN CONN. P/N
CAP HSG: 177907-X (PANEL MOUNT)
179464-X (FREE HANGING)
TAB CONTACT: 177917-X (AWG#20-#16)
177916-X (AWG#26-#22)
- 3. APPLICABLE PLATE P/N: 177919-X
- 4. INSTRUCTION SHEET: 411-5638
- 5. SEE TABLE 1
- 6. ALL PARTS MEET RTI ELECTRICAL RATING OF 105°C ACCORDING TO UL1977.

7. PART 5-177899-1 COMPLY WITH GLOW WIRE REQUIREMENT FOR PARTS OF NON-METALLIC MATERIAL SUPPORTING A CURRENT-CARRYING CONNECTION DETAILED IN IEC 60335-1, SECTION 30 (GWT)

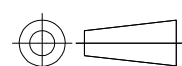
表1 TABLE 1

トレードマーク TRADE MARK	生産場所 MANUFACTURING LOCATION
-AMP OR AMP	日本 JAPAN
-+AMP OR AMP	中国 CHINA (PRC)
AMP OR AMP	韓国 KOREA

THIS DRAWING IS A CONTROLLED DOCUMENT.

DIMENSIONS:
単位: 耗
mm

TOLERANCES UNLESS
OTHERWISE SPECIFIED:
一般公差



ANGLES
FINISH
仕上 ±3°

MATERIAL
材料

DWN J.SATO 25OCT2007

CHK S.MANABE 25OCT2007

APVD S.MANABE 25OCT2007

PRODUCT SPEC
製品規格
108-5410

APPLICATION SPEC
取付適用規格

WEIGHT

CUSTOMER DRAWING



AMP POWER DOUBLE LOCK CONN
3.96MM PITCH PLUG HOUSING
3POS (SGL ROW)

SIZE	CAGE CODE	DRAWING NO 番号	RESTRICTED TO
A3	00779	177899	-

SCALE 尺度 4:1 SHEET 1 OF 1 REV E4