



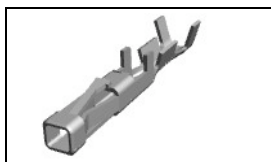
Have a Question?
Chat with a Product
Information Specialist

What can we help you find?

[Products](#) [Industries](#) [Resources](#) [About TE](#) [My Account](#) [Innovation](#) [Support Center](#)

1-794611-2 Product Details

[Share](#) [Print](#) [Email](#)



1-794611-2

TE Internal Number: 1-794611-2

Active

[View 3D PDF](#)

3mm Centerline, 250V, 5 A max.

Always EU RoHS/ELV Compliant (Statement of Compliance)

Product Highlights:

- Wire-to-Wire
- Applies To Wire/Cable
- Contact
- Contact Type = Socket
- Contact - Rated Current = 2 A

[View all Features](#)

Quick Links

- ▶ [Pricing & Availability](#)
- ▶ [Search for Tooling](#)
- ▶ [Product Feature Selector](#)
- ▶ [Contact Us About This Product](#)

[Add to My Part List](#) [Request Sample](#) [Find Similar Products](#) [Buy Product](#)

Documentation & Additional Information

Product Drawings:

- [CONTACT, RECEPTACLE, CRIMP SNAP-IN, MICRO MATE-N-LOK\(TM\)](#) (PDF, English)

Catalog Pages/Data Sheets:

- [1773458-4_MICRO_MATE_N_LOK_CONNECTOR_SYSTEM_QRG](#) (PDF, English)
- [SOFT_SHELL_PIN_AND_SOCKET_CONNECTORS_CATALOG](#) (PDF, English)

Product Specifications:

- [3 mm Micro MATE-N-LOK Connector](#) (PDF, English)

Application Specifications:

- [Micro MATE-N-LOK Connectors](#) (PDF, English)

Instruction Sheets:

- None Available

CAD Files: (CAD Format & Compression Information)

- [2D Drawing](#) (DXF, Version D)
- [3D Model](#) (IGES, Version D)
- [3D Model](#) (STEP, Version D)

[List all Documents](#)

Additional Information:

- [Product Line Information](#)

Related Products:

- [Tooling](#)

Product Features (Please use the Product Drawing for all design activity)

Product Type Features:

- Product Type = Contact
- Termination Method to Wire/Cable = Crimp
- Wire/Cable Type = Discrete Wire
- Strain Relief = Without
- Sealed = No

Mechanical Attachment:

- Contact Retention = With
- Contact Retention Type = Locking Lance

Electrical Characteristics:

- Contact - Rated Current (A) = 2
- Operating Voltage Reference = AC/DC
- Operating Voltage (VAC) = 250
- Operating Voltage (VDC) = 250

Termination Features:

- Wire/Cable Size (mm²) = 0.05 - 0.12
- Wire/Cable Size (AWG) = 26 - 30

Body Features:

- Underplate Material Thickness (µm [µin]) = 1.27 [50.000]
- Wire Type = Stranded

Contact Features:

- Contact Type = Socket
- Contact Base Material = Phosphor Bronze
- Contact Plating, Mating Area, Material = Gold
- Contact Plating, Mating Area, Thickness (µm [µin]) = 0.76 [29.921]
- Underplate Material = Nickel

Industry Standards:

- [RoHS/ELV Compliance](#) = RoHS compliant, ELV compliant
- [Lead Free Solder Processes](#) = Not relevant for lead free process
- [RoHS/ELV Compliance History](#) = Always was RoHS compliant

Environmental:

- Operating Temperature (°C [°F]) = -40 - +105 [-40 - +221]

Conditions for Usage:

- Applies To = Wire/Cable
- Accepts Wire Insulation Diameter, Range (mm [in]) = 0.89 - 1.52 [0.035 - 0.060]

Operation/Application:

- Application Use = Wire-to-Wire

Packaging Features:

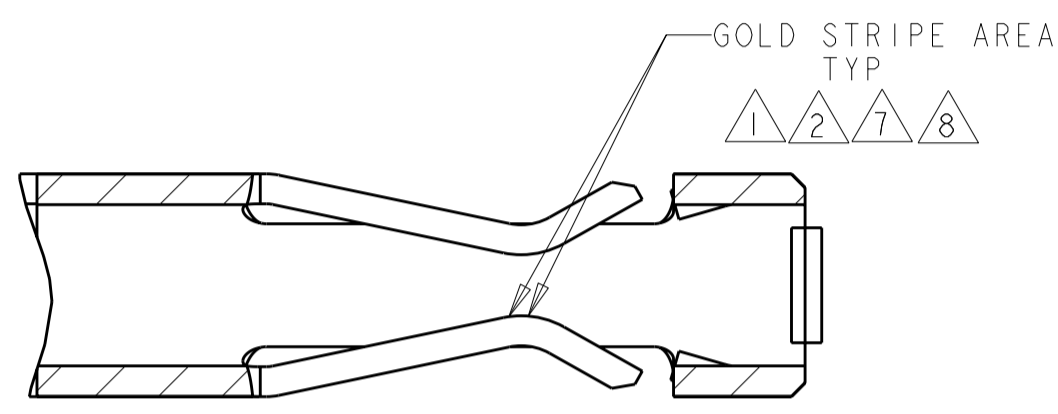
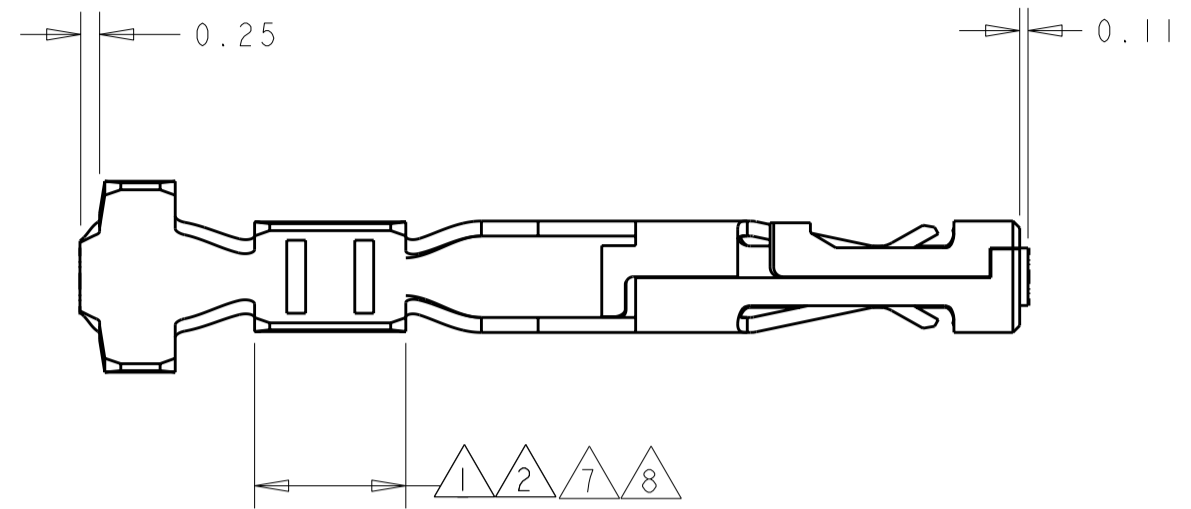
- Packaging Method = Bag
- Packaging Quantity = 500

Other:

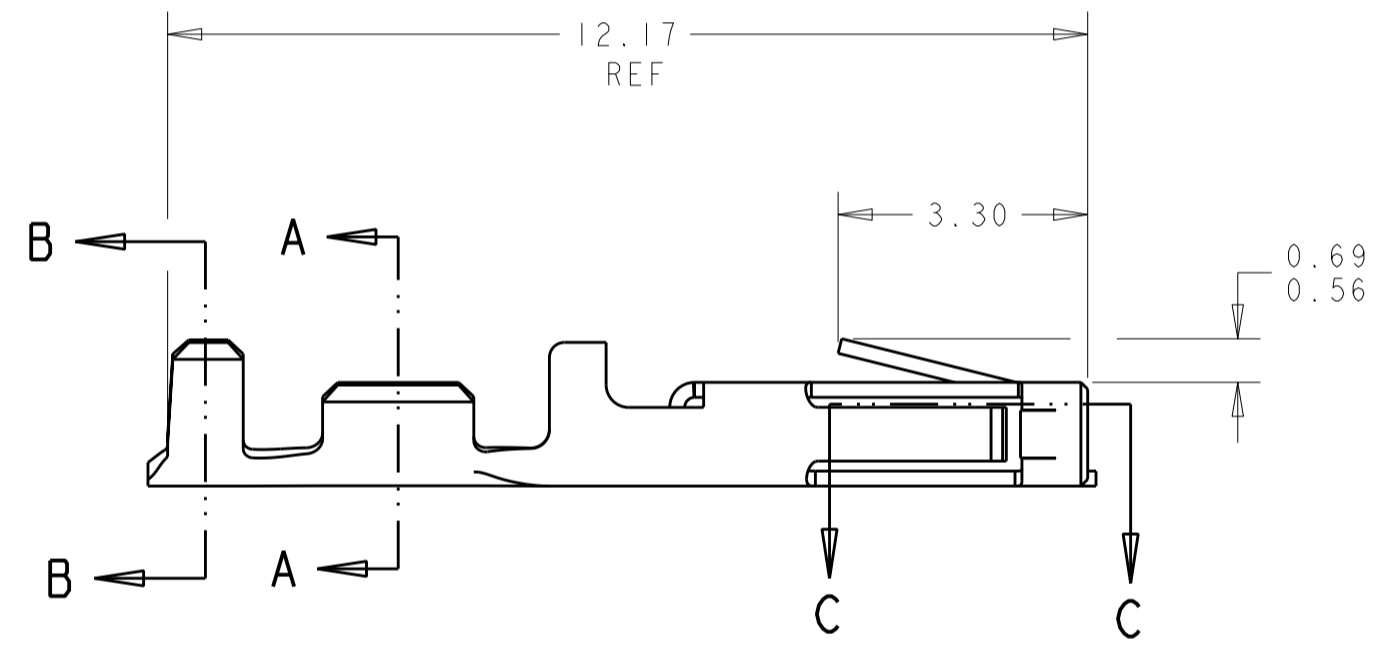
- Brand = AMP

THIS DRAWING IS UNPUBLISHED. RELEASED FOR PUBLICATION
 © COPYRIGHT 20 BY - ALL RIGHTS RESERVED.

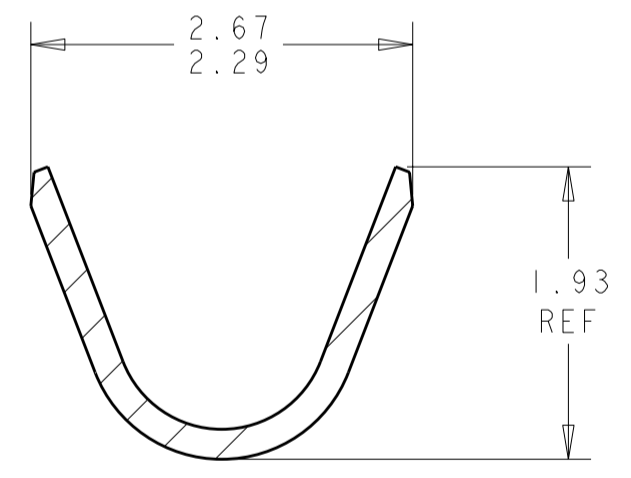
LOC		DIST		REVISIONS			
P	LTR	DESCRIPTION	DATE	DWN	APVD		
CM	53	DI	REVISD PER ECO-11-005027	16MAR2011	RK	HMR	



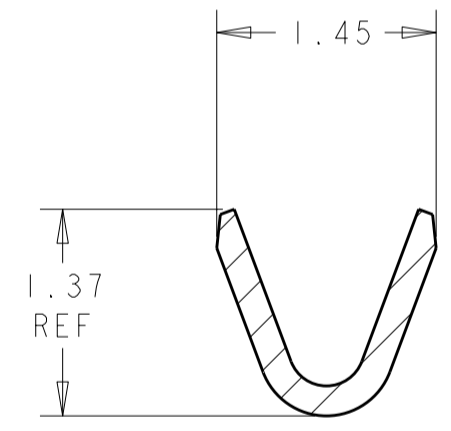
- 1 0.000762 THK GOLD STRIPE IN THE GOLD PLATE AREA, BRIGHT TIN IN THE CRIMP AREA, OVER NICKEL PLATE.
- 2 0.000381 THK GOLD STRIPE IN THE GOLD PLATE AREA, BRIGHT TIN IN THE CRIMP AREA, OVER NICKEL PLATE.
- 3 0.0015 - 0.0040 THK BRIGHT TIN.
- 4. WIRE RANGE: 26 - 30 AWG.
- 5. INSULATION RANGE 0.89 - 1.524.
- 7 0.000762 THK GOLD STRIPE IN THE GOLD PLATE AREA, BRIGHT TIN-LEAD IN THE CRIMP AREA, OVER NICKEL PLATE.
- 8 0.000381 THK GOLD STRIPE IN THE GOLD PLATE AREA, BRIGHT TIN-LEAD IN THE CRIMP AREA, OVER NICKEL PLATE.



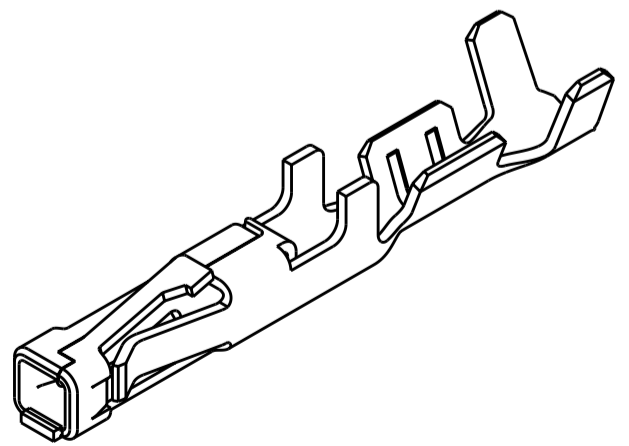
SECTION C-C
SCALE 20:1



SECTION B-B
SCALE 20:1



SECTION A-A
SCALE 20:1



3 DIMENSIONAL MODEL
SCALE 8:1

1	1-794611-2
2	1-794611-1
7	794611-3
8	794611-2
3	794611-1
FINISH	PART NUMBER



THIS DRAWING IS A CONTROLLED DOCUMENT.		DWN K. WHITAKER 19-OCT-1999	TE Connectivity	
DIMENSIONS: mm		CHK K. COBLE 19-OCT-1999		
TOLERANCES UNLESS OTHERWISE SPECIFIED:		APVD K. COBLE 19-OCT-1999	NAME CONTACT, RECEPTACLE, CRIMP SNAP-IN, MICRO MATE-N-LOK(TM)	
0 PLC ± 1 PLC ± 2 PLC ±0.13 3 PLC ± 4 PLC ±		PRODUCT SPEC -	SIZE A200779	
MATERIAL 0.2 PH BRZ		APPLICATION SPEC -	CAGE CODE C-794611	DRAWING NO 794611
ANGLES ±0.30° FINISH		WEIGHT -	RESTRICTED TO -	
SEE TABLE		CUSTOMER DRAWING	SCALE 10:1	SHEET 1 OF 1 REV DI