



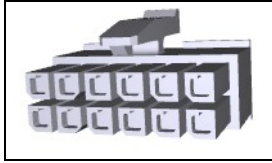
Have a Question?  
Chat with a Product Information Specialist

What can we help you find?

[Products](#) [Industries](#) [Resources](#) [About TE](#) [My Account](#) [Innovation](#) [Support Center](#)

**1-794617-2 Product Details**

[Share](#) [Print](#) [Email](#)



**1-794617-2**

TE Internal Number: 1-794617-2

Active

[View 3D PDF](#)

**3mm Centerline, 250V, 5 A max.**

Always EU RoHS/ELV Compliant (Statement of Compliance)

**Product Highlights:**

- Wire-to-Board, Wire-to-Wire
- Applies To Printed Circuit Board, Applies To Wire/Cable
- Connector
- Housing
- Connector Style = Receptacle

[View all Features](#)

**Quick Links**

- ▶ [Pricing & Availability](#)
- ▶ [Search for Tooling](#)
- ▶ [View Mating Products \(56\)](#)
- ▶ [Product Feature Selector](#)
- ▶ [Contact Us About This Product](#)

[Add to My Part List](#) [Request Sample](#) [Find Similar Products](#) [Buy Product](#)

Documentation & Additional Information	
<p><b>Product Drawings:</b></p> <ul style="list-style-type: none"> <li>• <a href="#">RECEPTACLE HOUSING, 2 TO 24 POSITION,DUAL ROW, MICRO...</a> (PDF, English)</li> </ul> <p><b>Catalog Pages/Data Sheets:</b></p> <ul style="list-style-type: none"> <li>• <a href="#">1773458-4_MICRO_MATE_N_LOK_CONNECTOR_SYSTEM_QRG</a> (PDF, English)</li> <li>• <a href="#">SOFT_SHELL_PIN_AND_SOCKET_CONNECTORS_CATALOG</a> (PDF, English)</li> </ul> <p><b>Product Specifications:</b></p> <ul style="list-style-type: none"> <li>• <a href="#">3 mm Micro MATE-N-LOK Connector</a> (PDF, English)</li> </ul> <p><b>Application Specifications:</b></p> <ul style="list-style-type: none"> <li>• <a href="#">Micro MATE-N-LOK Connectors</a> (PDF, English)</li> </ul> <p><b>Instruction Sheets:</b></p> <ul style="list-style-type: none"> <li>• None Available</li> </ul> <p><b>CAD Files: (CAD Format &amp; Compression Information)</b></p> <ul style="list-style-type: none"> <li>• <a href="#">2D Drawing</a> (DXF, Version E1)</li> <li>• <a href="#">3D Model</a> (IGES, Version E1)</li> <li>• <a href="#">3D Model</a> (STEP, Version E1)</li> </ul>	<p><b>Additional Information:</b></p> <ul style="list-style-type: none"> <li>• <a href="#">Product Line Information</a></li> </ul> <p><b>Related Products:</b></p> <ul style="list-style-type: none"> <li>• <a href="#">Tooling</a></li> <li>• <a href="#">Mating Products (56)</a></li> </ul>

[List all Documents](#)

Product Features (Please use the Product Drawing for all design activity)	
<p><b>Product Type Features:</b></p> <ul style="list-style-type: none"> <li>• Product Type = Connector</li> <li>• Connector Type = Housing</li> <li>• Strain Relief = Without</li> <li>• UL File Number = E28476</li> <li>• CSA File Number = LR 7189</li> </ul> <p><b>Mechanical Attachment:</b></p> <ul style="list-style-type: none"> <li>• Mating Retention Type = Locking Latch</li> </ul> <p><b>Electrical Characteristics:</b></p> <ul style="list-style-type: none"> <li>• Operating Voltage Reference = AC/DC</li> <li>• Operating Voltage (VAC) = 250</li> <li>• Operating Voltage (VDC) = 250</li> </ul> <p><b>Body Features:</b></p> <ul style="list-style-type: none"> <li>• Row-to-Row Spacing (mm [in]) = 3.00 [0.118]</li> <li>• Mating Retention = With</li> </ul> <p><b>Contact Features:</b></p> <ul style="list-style-type: none"> <li>• Contact Type = Socket</li> <li>• Contact Layout = Double Row</li> </ul> <p><b>Housing Features:</b></p> <ul style="list-style-type: none"> <li>• Connector Style = Receptacle</li> <li>• Housing Color = Black</li> </ul>	<p><b>Configuration Features:</b></p> <ul style="list-style-type: none"> <li>• Number of Positions = 12</li> <li>• Number of Rows = 2</li> </ul> <p><b>Industry Standards:</b></p> <ul style="list-style-type: none"> <li>• <a href="#">RoHS/ELV Compliance</a> = RoHS compliant, ELV compliant</li> <li>• <a href="#">Lead Free Solder Processes</a> = Not relevant for lead free process</li> <li>• RoHS/ELV Compliance History = Always was RoHS compliant</li> <li>• VDE Tested = Yes</li> <li>• Agency/Standard = CSA, UL</li> <li>• UL Rating = Recognized</li> <li>• CSA Rating = Certified</li> </ul> <p><b>Environmental:</b></p> <ul style="list-style-type: none"> <li>• Operating Temperature (°C [°F]) = -40 - +105 [-40 - +221]</li> </ul> <p><b>Conditions for Usage:</b></p> <ul style="list-style-type: none"> <li>• Applies To = Printed Circuit Board, Wire/Cable</li> </ul> <p><b>Operation/Application:</b></p> <ul style="list-style-type: none"> <li>• Application Use = Wire-to-Board, Wire-to-Wire</li> </ul> <p><b>Packaging Features:</b></p> <ul style="list-style-type: none"> <li>• Packaging Method = Package</li> <li>• Packaging Quantity = 1</li> </ul>

- Housing Material = Nylon 66/6
- Centerline (mm [in]) = 3.00 [0.118]
- Mating Alignment = With
- Mating Alignment Type = Polarization
- UL Flammability Rating = UL 94V-0

- Other:**
- Brand = AMP

### Corporate Information

- [About TE](#)
- [Investors](#)
- [News Room](#)
- [Supplier Portal](#)
- [Careers](#)
- [Terms & Conditions](#)
- [Privacy Policy](#)

### Quick Links

- [Distributor Inventory](#)
- [Product Cross Reference](#)
- [Documents & Drawings](#)
- [Product Compliance Support Center](#)
- [Site Map](#)

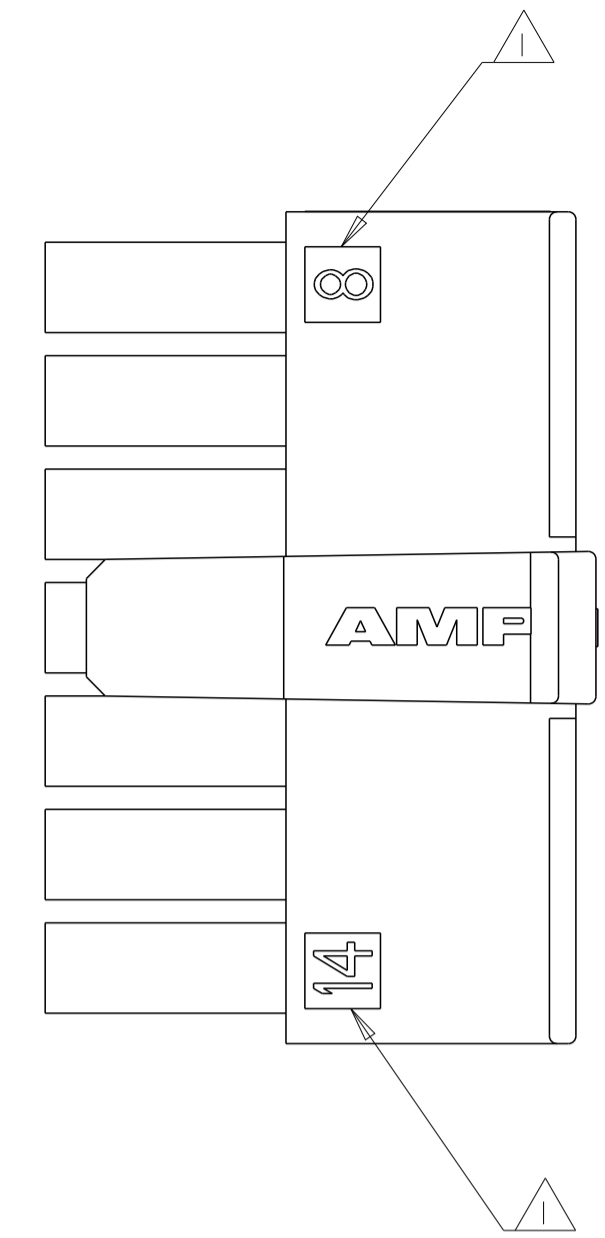
### Customer Support

- [Email or Chat With Us](#)
- [Find a Phone Number](#)
- [Knowledge Base](#)
- [Manage Your Account](#)

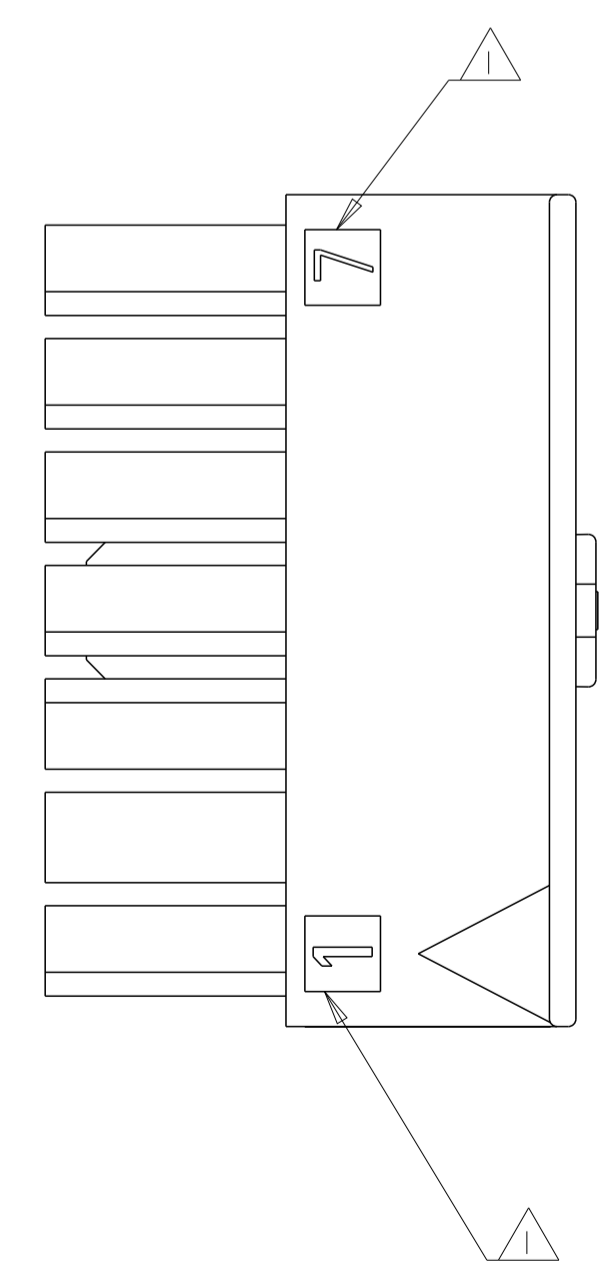
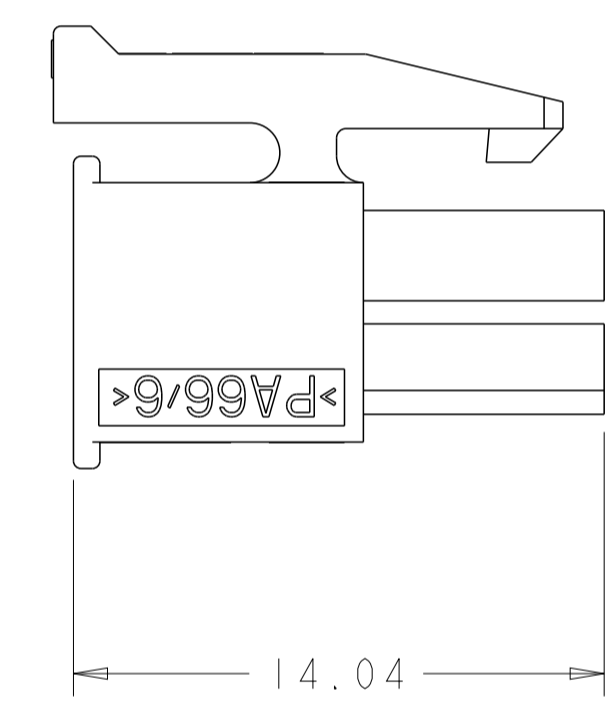
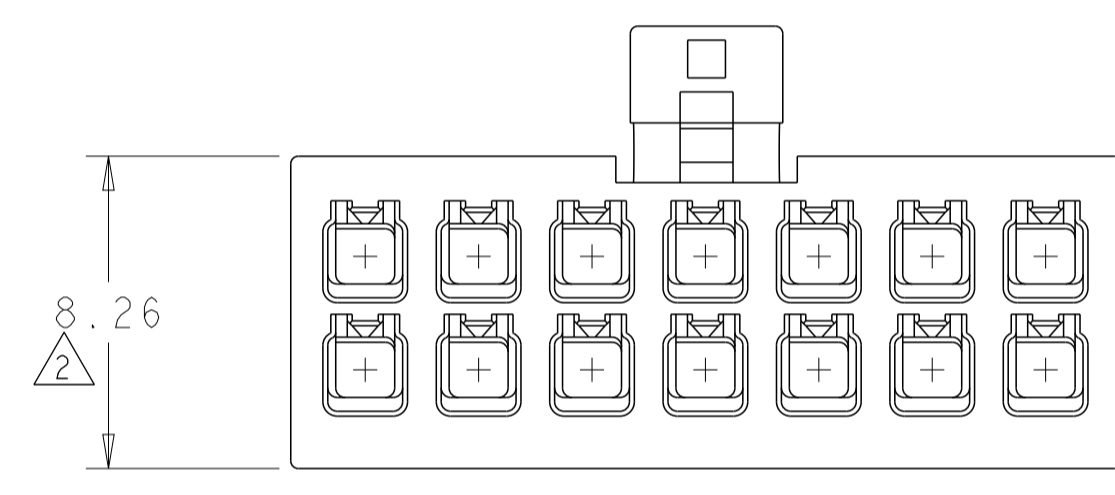
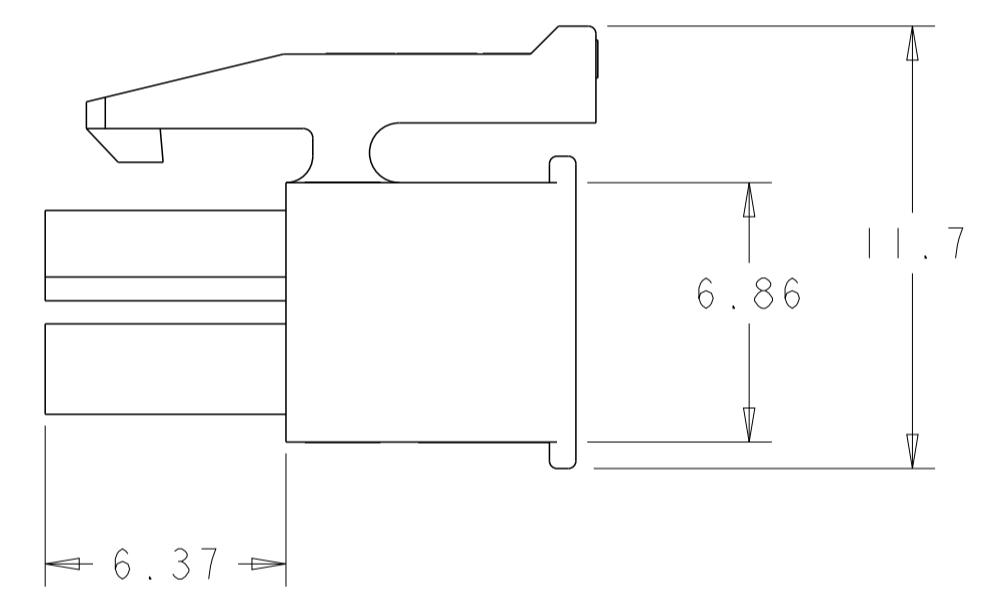
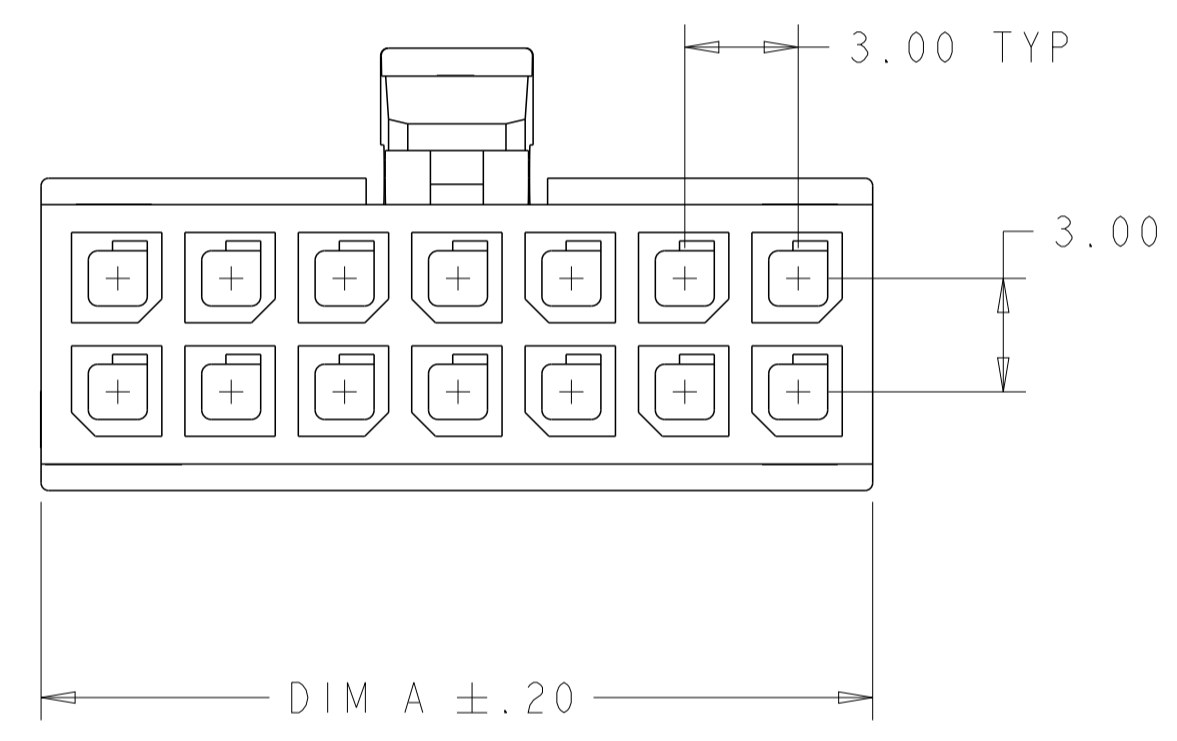
### Keep Me Informed



LOC	DIST	REVISIONS			
P	LTN	DESCRIPTION	DATE	DWN	APVD
CM	53	E3	REVISED PER ECR-12-015771	11SEP2012	KH TM



△ CIRCUIT IDENTIFIER, LOCATED APPROXIMATELY AS SHOWN.  
 △ DIMENSION ONLY 7.56 ON 2 POSITION.



DIM A	NO. OF POS.	PART NUMBER
37.00	24	2-794617-4
34.00	22	2-794617-2
31.00	20	2-794617-0
28.00	18	1-794617-8
25.00	16	1-794617-6
22.00	14	1-794617-4
19.00	12	1-794617-2
16.00	10	1-794617-0
13.00	8	794617-8
10.00	6	794617-6
7.00	4	794617-4
4.00	2	794617-2

THIS DRAWING IS A CONTROLLED DOCUMENT.

DWN: K. WHITAKER 4-OCT-1999  
 CHK: K. COBLE 14-OCT-1999  
 APVD: K. COBLE 14-OCT-1999

**STE** TE Connectivity

NAME: RECEPTACLE HOUSING, 2 TO 24 POSITION, DUAL ROW, MICRO MATE-N-LOK™

SIZE: A1 CAGE CODE: 00779 DRAWING NO: 794617

MATERIAL: NYLON, UL94V-0 BLACK

FINISH: -

WEIGHT: -

CUSTOMER DRAWING

SCALE: 5:1 SHEET 1 OF 1 REV: E3