

Distributed by:

JAMECO[®]
ELECTRONICS

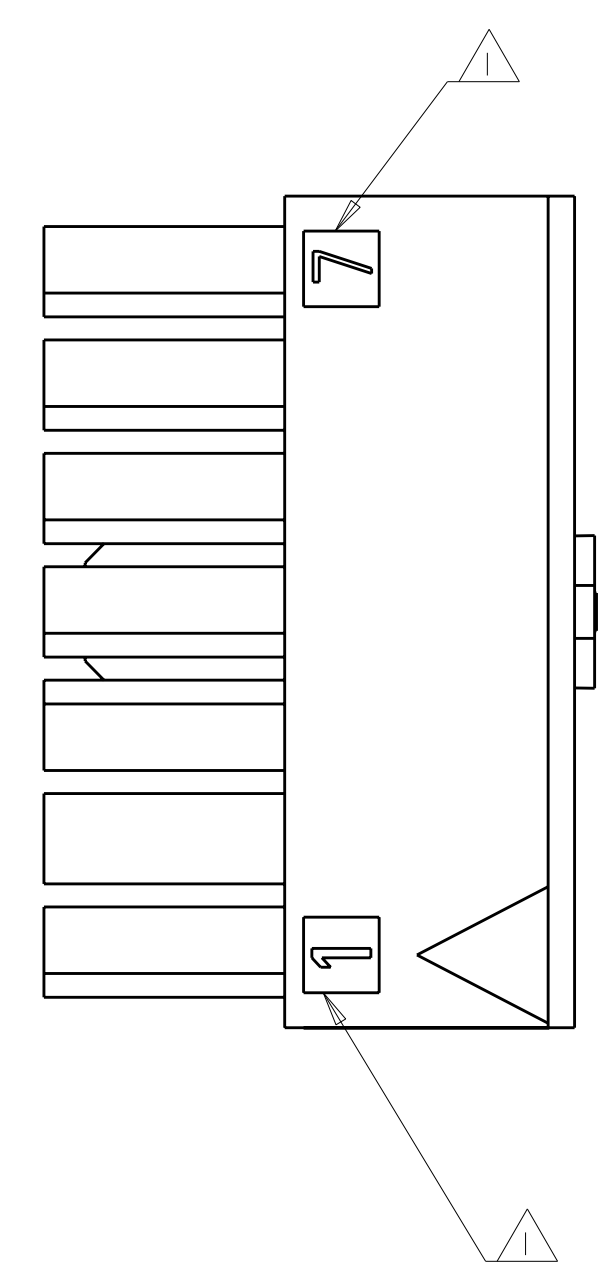
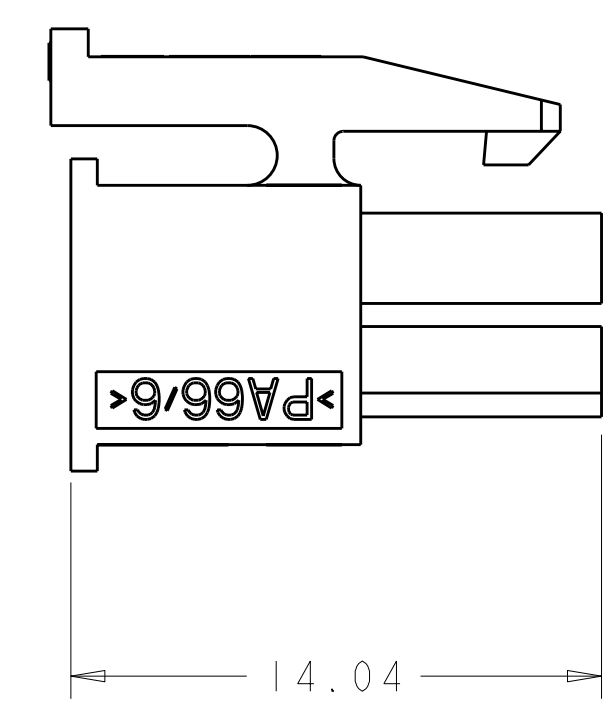
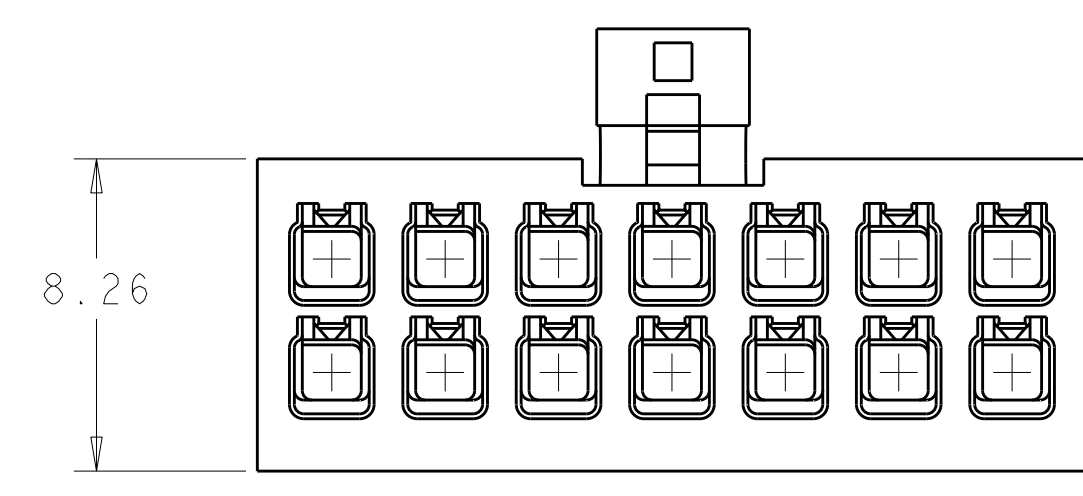
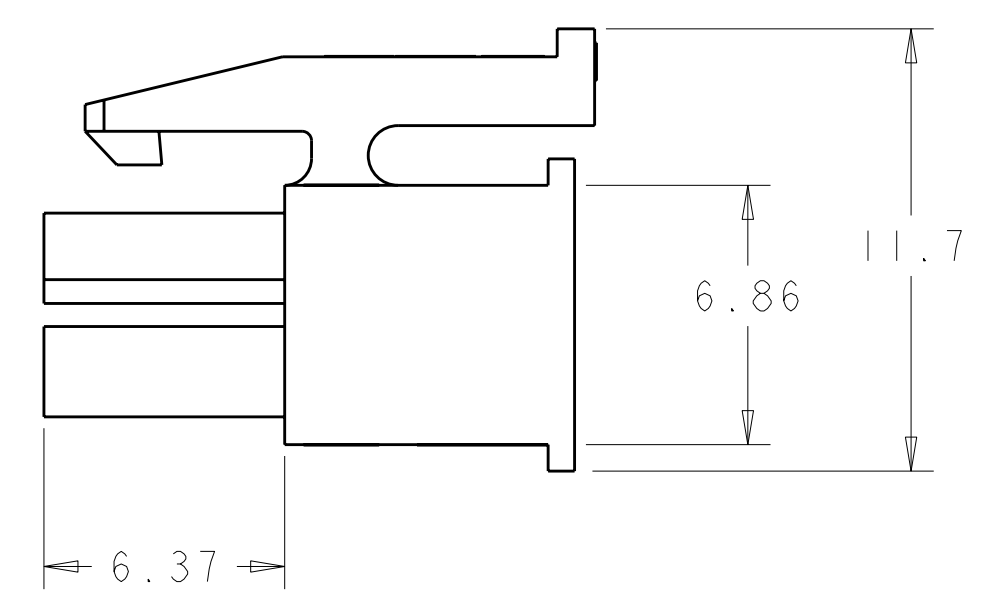
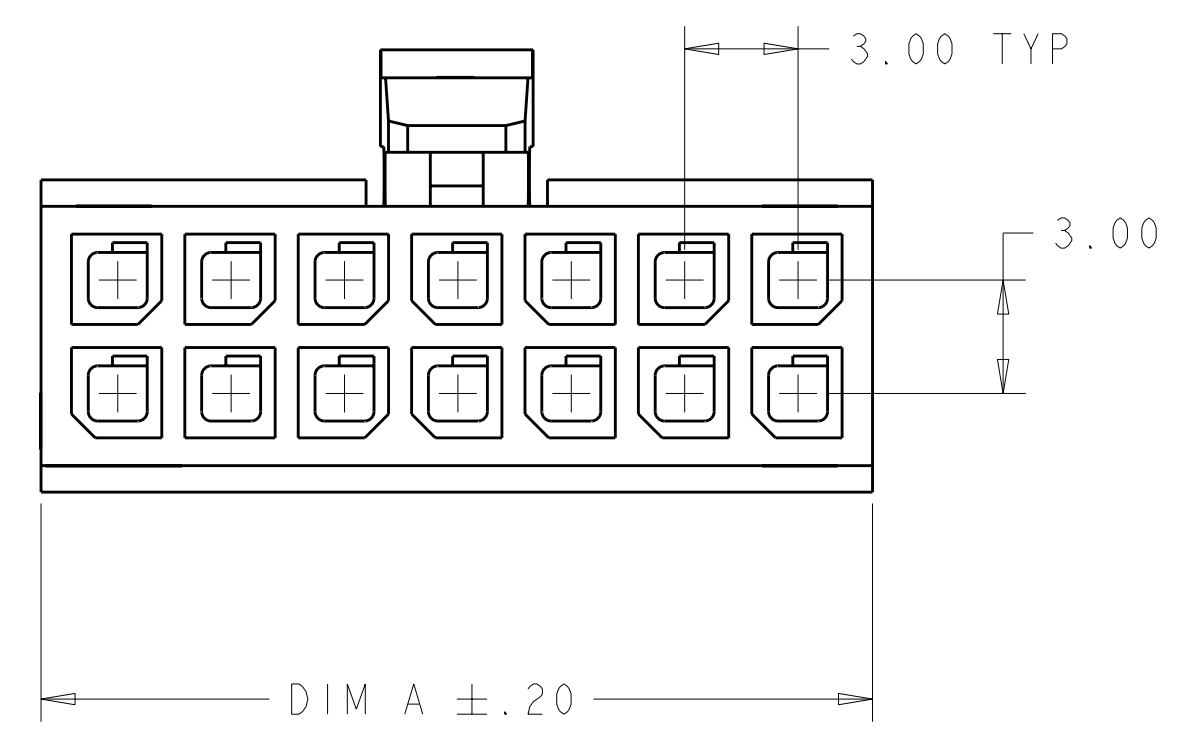
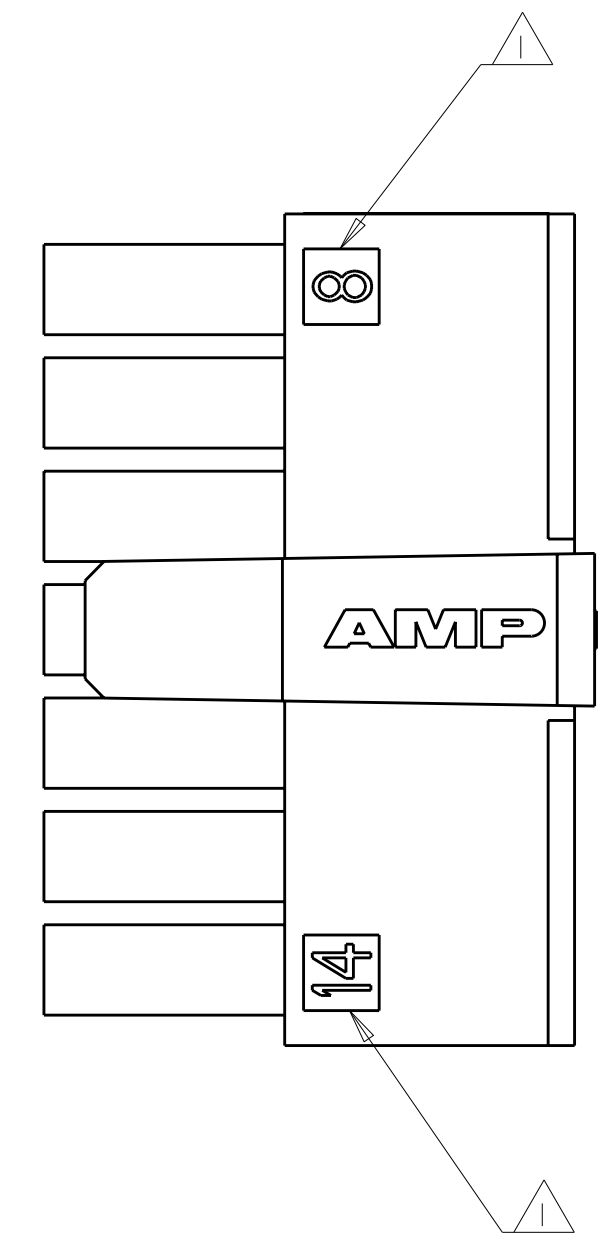
www.Jameco.com ♦ 1-800-831-4242

The content and copyrights of the attached
material are the property of its owner.

Jameco Part Number 1963280

| LOC | DIST | REVISIONS | | | |
|-----|------|-------------|---------------------------|-----------|-------|
| P | LTB | DESCRIPTION | DATE | DWN | APVD |
| CM | 53 | E1 | REVISED PER ECO-07-007163 | 21MAR2007 | KW CJ |
| | | | | | |
| | | | | | |

△ CIRCUIT IDENTIFIER, LOCATED APPROXIMATELY AS SHOWN.
 △ NOTE DELETED.



| DIM A | NO. OF POS. | PART NUMBER |
|-------|-------------|-------------|
| 37.00 | 24 | 2-794617-4 |
| 34.00 | 22 | 2-794617-2 |
| 31.00 | 20 | 2-794617-0 |
| 28.00 | 18 | 1-794617-8 |
| 25.00 | 16 | 1-794617-6 |
| 22.00 | 14 | 1-794617-4 |
| 19.00 | 12 | 1-794617-2 |
| 16.00 | 10 | 1-794617-0 |
| 13.00 | 8 | 794617-8 |
| 10.00 | 6 | 794617-6 |
| 7.00 | 4 | 794617-4 |
| 4.00 | 2 | 794617-2 |

METRIC

| | | | |
|--|--|--|--|
| DIMENSIONS: mm TOLERANCES UNLESS OTHERWISE SPECIFIED: 0 PLC ± 1 PLC ±0.13 2 PLC ± 3 PLC ± 4 PLC ± ANGLES ±0.30° FINISH - | | DWN R. WHITAKER 14-OCT-1999 CHK K. COBLE 14-OCT-1999 APVD K. COBLE 14-OCT-1999 PRODUCT SPEC APPLICATION SPEC WEIGHT CUSTOMER DRAWING | AMP Incorporated Harrisburg, PA 17105-3608 NAME RECEPTACLE HOUSING, 2 TO 24 POSITION, DUAL ROW, MICRO MATE-N-LOK™ SIZE CAGE CODE DRAWING NO RESTRICTED TO A100779C=794617 SCALE 5:1 SHEET 1 OF 1 REV E1 |
|--|--|--|--|