



Have a Question?
Chat with a Product Information Specialist

What can we help you find?

1-794617-8 Product Details

[Share](#) [Print](#) [Email](#)



1-794617-8

TE Internal Number: 1-794617-8

Active

[View 3D PDF](#)

3mm Centerline, 250V, 5 A max.

Always EU RoHS/ELV Compliant (Statement of Compliance)

Product Highlights:

- Wire-to-Board, Wire-to-Wire
- Applies To Printed Circuit Board, Applies To Wire/Cable
- Connector
- Housing
- Connector Style = Receptacle

[View all Features](#)

Quick Links

- ▶ [Pricing & Availability](#)
- ▶ [Search for Tooling](#)
- ▶ [View Mating Products \(56\)](#)
- ▶ [Product Feature Selector](#)
- ▶ [Contact Us About This Product](#)

[Add to My Part List](#) [Request Sample](#) [Find Similar Products](#) [Buy Product](#)

Documentation & Additional Information	
<p>Product Drawings:</p> <ul style="list-style-type: none"> • RECEPTACLE HOUSING, 2 TO 24 POSITION,DUAL ROW, MICRO... (PDF, English) <p>Catalog Pages/Data Sheets:</p> <ul style="list-style-type: none"> • 1773458-4_MICRO_MATE_N_LOK_CONNECTOR_SYSTEM_QRG (PDF, English) • SOFT_SHELL_PIN_AND_SOCKET_CONNECTORS_CATALOG (PDF, English) <p>Product Specifications:</p> <ul style="list-style-type: none"> • 3 mm Micro MATE-N-LOK Connector (PDF, English) <p>Application Specifications:</p> <ul style="list-style-type: none"> • Micro MATE-N-LOK Connectors (PDF, English) <p>Instruction Sheets:</p> <ul style="list-style-type: none"> • None Available <p>CAD Files: (CAD Format & Compression Information)</p> <ul style="list-style-type: none"> • 2D Drawing (DXF, Version E1) • 3D Model (IGES, Version E1) • 3D Model (STEP, Version E1) 	<p>Additional Information:</p> <ul style="list-style-type: none"> • Product Line Information <p>Related Products:</p> <ul style="list-style-type: none"> • Tooling • Mating Products (56)

[List all Documents](#)

Product Features (Please use the Product Drawing for all design activity)	
<p>Product Type Features:</p> <ul style="list-style-type: none"> • Product Type = Connector • Connector Type = Housing • Strain Relief = Without • UL File Number = E28476 • CSA File Number = LR 7189 <p>Mechanical Attachment:</p> <ul style="list-style-type: none"> • Mating Retention Type = Locking Latch <p>Electrical Characteristics:</p> <ul style="list-style-type: none"> • Operating Voltage Reference = AC/DC • Operating Voltage (VAC) = 250 • Operating Voltage (VDC) = 250 <p>Body Features:</p> <ul style="list-style-type: none"> • Row-to-Row Spacing (mm [in]) = 3.00 [0.118] • Mating Retention = With <p>Contact Features:</p> <ul style="list-style-type: none"> • Contact Type = Socket • Contact Layout = Double Row <p>Housing Features:</p> <ul style="list-style-type: none"> • Connector Style = Receptacle • Housing Color = Black 	<p>Configuration Features:</p> <ul style="list-style-type: none"> • Number of Positions = 18 • Number of Rows = 2 <p>Industry Standards:</p> <ul style="list-style-type: none"> • RoHS/ELV Compliance = RoHS compliant, ELV compliant • Lead Free Solder Processes = Not relevant for lead free process • RoHS/ELV Compliance History = Always was RoHS compliant • VDE Tested = Yes • Agency/Standard = CSA, UL • UL Rating = Recognized • CSA Rating = Certified <p>Environmental:</p> <ul style="list-style-type: none"> • Operating Temperature (°C [°F]) = -40 - +105 [-40 - +221] <p>Conditions for Usage:</p> <ul style="list-style-type: none"> • Applies To = Printed Circuit Board, Wire/Cable <p>Operation/Application:</p> <ul style="list-style-type: none"> • Application Use = Wire-to-Board, Wire-to-Wire <p>Packaging Features:</p> <ul style="list-style-type: none"> • Packaging Method = Package • Packaging Quantity = 1

- Housing Material = Nylon 66/6
- Centerline (mm [in]) = 3.00 [0.118]
- Mating Alignment = With
- Mating Alignment Type = Polarization
- UL Flammability Rating = UL 94V-0

Other:

- Brand = AMP

Corporate Information

- [About TE](#)
- [Investors](#)
- [News Room](#)
- [Supplier Portal](#)
- [Careers](#)
- [Terms & Conditions](#)
- [Privacy Policy](#)

Quick Links

- [Distributor Inventory](#)
- [Product Cross Reference](#)
- [Documents & Drawings](#)
- [Product Compliance Support Center](#)
- [Site Map](#)

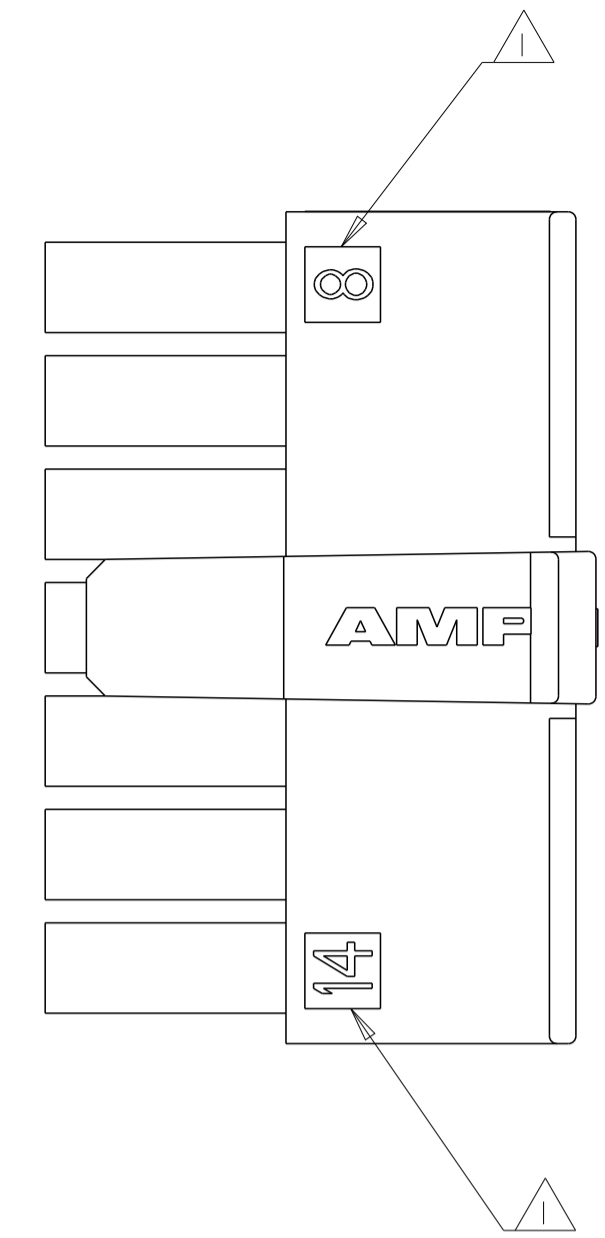
Customer Support

- [Email or Chat With Us](#)
- [Find a Phone Number](#)
- [Knowledge Base](#)
- [Manage Your Account](#)

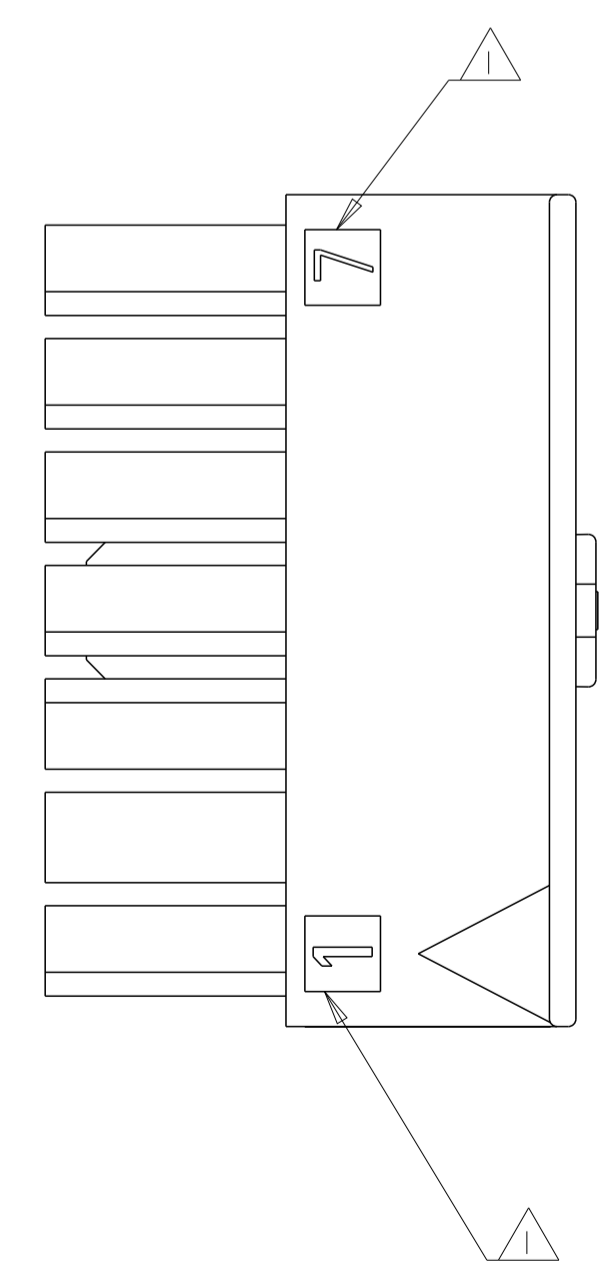
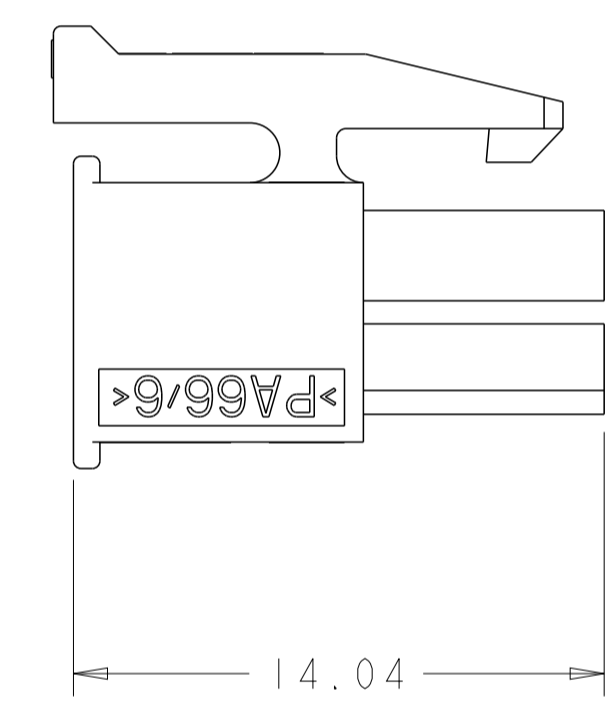
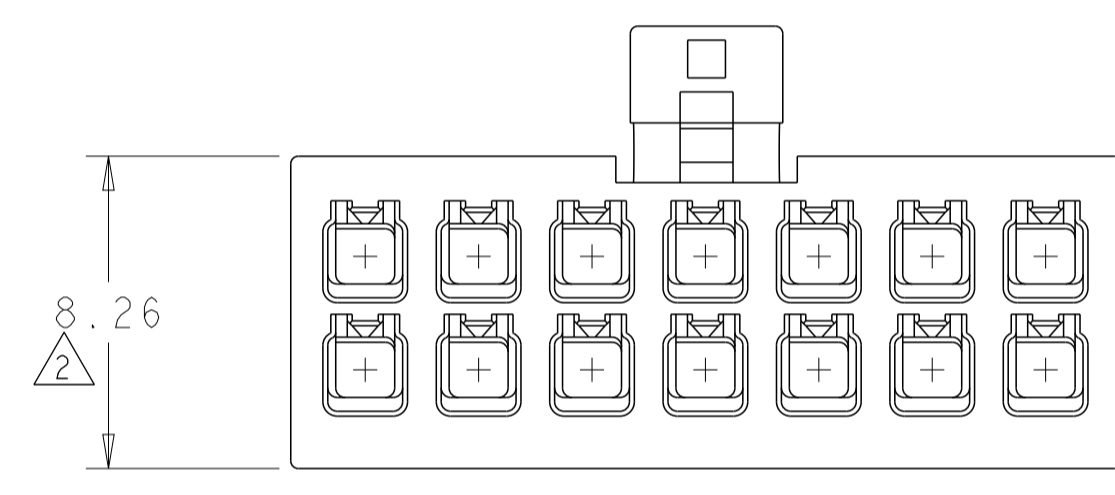
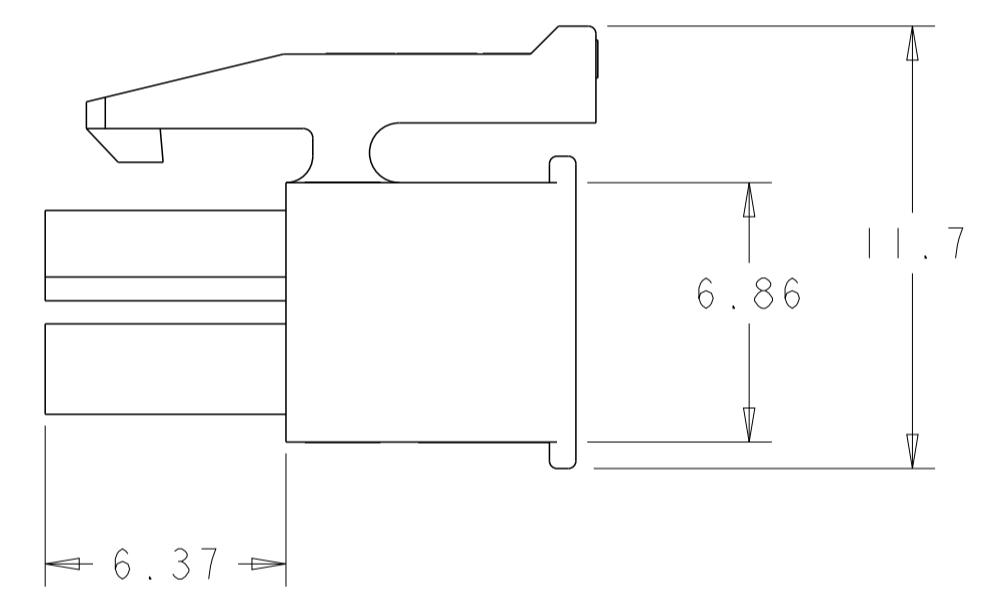
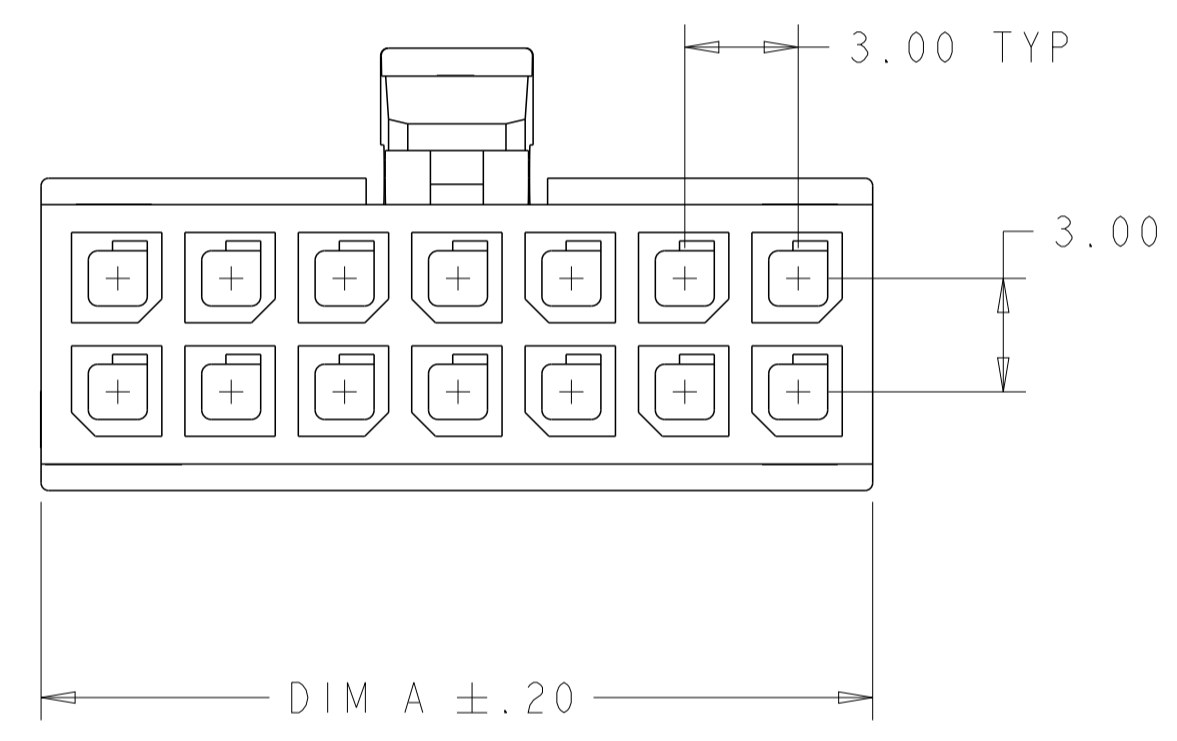
Keep Me Informed



LOC	DIST	REVISIONS			
P	LTN	DESCRIPTION	DATE	DWN	APVD
CM	53	E3	REVISED PER ECR-12-015771	11SEP2012	KH TM



△ CIRCUIT IDENTIFIER, LOCATED APPROXIMATELY AS SHOWN.
 △ DIMENSION ONLY 7.56 ON 2 POSITION.



DIM A	NO. OF POS.	PART NUMBER
37.00	24	2-794617-4
34.00	22	2-794617-2
31.00	20	2-794617-0
28.00	18	1-794617-8
25.00	16	1-794617-6
22.00	14	1-794617-4
19.00	12	1-794617-2
16.00	10	1-794617-0
13.00	8	794617-8
10.00	6	794617-6
7.00	4	794617-4
4.00	2	794617-2

THIS DRAWING IS A CONTROLLED DOCUMENT.

DWN: K. WHITAKER 4-OCT-1999
 CHK: K. COBLE 14-OCT-1999
 APVD: K. COBLE 14-OCT-1999

STE TE Connectivity

NAME: RECEPTACLE HOUSING, 2 TO 24 POSITION, DUAL ROW, MICRO MATE-N-LOK™

MATERIAL: NYLON, UL94V-0 BLACK

FINISH: -

WEIGHT: -

CUSTOMER DRAWING

SIZE: A1 CAGE CODE: 00779 DRAWING NO: 794617

RESTRICTED TO: -

SCALE: 5:1 SHEET 1 OF 1 REV: E3