

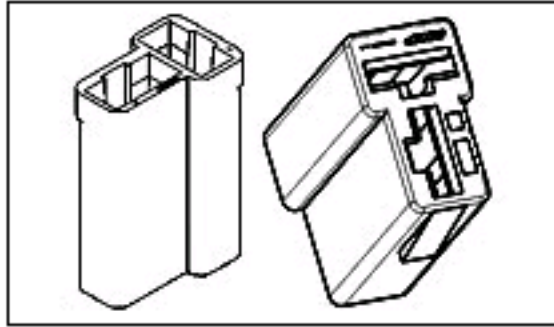


Search bar: What can we help you find?

Home > Products > FASTON Electrical Quick Connects > Product Feature Selector > Product Details

180907-5 Product Details

Share | Print | Email



180907-5

TE Internal Number: 180907-5
Active

View 3D PDF

Multiple Circuit Housings with Tabs & Receptacles

Always EU RoHS/ELV Compliant (Statement of Compliance)

Product Highlights:

- Connector
- Not Preloaded
- Connector Style = Plug
- Accepts Contact Gender = Receptacle
- Number of Circuits = 2

[View all Features](#)

Quick Links

- ▶ Pricing & Availability
- ▶ Search for Tooling
- ▶ Product Feature Selector
- ▶ Contact Us About This Product

[Add to My Part List](#) | [Request Sample](#) | [Find Similar Products](#) | [Buy Product](#)

Documentation & Additional Information

Product Drawings:

- [2 WAY FASTIN-FASTON RECEPTACLE HOUSING .250 SERIES \(PDF, English\)](#)

Catalog Pages/Data Sheets:

- [FASTIN_FASTON_Product_Line \(PDF, English\)](#)

Product Specifications:

- [FASTIN-FASTON CONN. .110 INCH, .187 INCH, .250 INCH,... \(PDF, English\)](#)

Application Specifications:

- [.110 .187, .250, .312, and .375 Series FASTIN-FASTON... \(PDF, English\)](#)

Instruction Sheets:

- None Available

CAD Files: (CAD Format & Compression Information)

- [2D Drawing \(DXF, Version AA\)](#)
- [3D Model \(IGES, Version AA\)](#)
- [3D Model \(STEP, Version AA\)](#)

Related Products:

- [Tooling](#)

[List all Documents](#)

Product Features (Please use the Product Drawing for all design activity)

Product Type Features:

- [Product Type](#) = Connector
- [Color](#) = Black
- [FASTON](#) = Yes

Dimensions:

- [Mating Area Interface Dimensions \(mm \[in\]\)](#) = 6.35 [.250]

Contact Features:

- [Accepts Contact Gender](#) = Receptacle

Housing Features:

- [Connector Style](#) = Plug
- [Housing Material](#) = Polyamide 6.6 GF

Configuration Features:

- [Preloaded](#) = No
- [Number of Circuits](#) = 2

Industry Standards:

- [RoHS/ELV Compliance](#) = RoHS compliant, ELV compliant
- [Lead Free Solder Processes](#) = Not relevant for lead free process
- [RoHS/ELV Compliance History](#) = Always was RoHS compliant

Packaging Features:

- [Packaging Method](#) = Loose Piece

Other:

- [Line](#) = FASTIN-FASTON .250
- [Brand](#) = AMP

Corporate Information

- [About TE](#)
- [Investors](#)
- [News Room](#)
- [Supplier Portal](#)
- [Careers](#)
- [Terms & Conditions](#)
- [Privacy Policy](#)

Quick Links

- [Distributor Inventory](#)
- [Product Cross Reference](#)
- [Documents & Drawings](#)
- [Product Compliance Support Center](#)
- [Site Map](#)

Customer Support

- [Email or Chat With Us](#)
- [Find a Phone Number](#)
- [Knowledge Base](#)
- [Manage Your Account](#)

Keep Me Informed

Receive TE News, Events & Technology Updates

Enter your email address

